

MUTO Premium & Comfort

Manual sliding
door system



MUTO Premium & Comfort

Manual sliding door system

- MUTO Premium & Comfort**
- 03** Majoring in convenience
- 04** Model comparison guide
- 06** MUTO ordering guide
- Constructing the reference number
- 07** Installation types
- 08** Installation made easy
- 10** TLG compatibility
- 11** MUTO ceiling (CE-R) recessed mount applications

- Premium systems**
- XL 150 DM / XL 150 / XL 80 DM**
- 12** Typical assemblies
- 20** Sliding door sets

- XL 120 Self-Closing (SC)**
- 24** Typical assemblies
- 32** Sliding door sets

- XL 80 Telescopic (TEL)**
- 36** Features and applications
- 37** Installing moving floor guide
- 38** Panel sizing chart
- 39** Typical assemblies
- 44** Sliding door sets

- Comfort systems**
- L 80 DORMOTION (DM) / L 80**
- 52** Typical assemblies
- 60** Sliding door sets

- M 50 DORMOTION (DM) / M 50**
- 63** Typical assemblies
- 65** Sliding door sets

- Component parts**
- 66** Roller accessory kits
- Gasket sets
- 67** Track and cover extrusions – XL 150/80 Systems
- 68** Track and cover extrusions – XL 120 Systems
- 69** Track and cover extrusions – L 80 Systems
- Cover clips
- 70** Wood adapter sets
- Wood door floor guide
- 71** Endcaps
- 72** DORMOTION (DM) accessories and start/stop kits
- 73** Synchro accessories
- Self-Closing (SC) accessories
- Brush profiles
- 74** Brush seal carrier
- Brush seals for XL 80 TEL
- 75** Endstops
- Bumper sets
- Holder hook sets
- 76** Sidelite (fixed panel) extrusions and accessories
- 78** Recessed mount (CE-R) accessories
- Status indicator
- 79** Tempered Laminated Glass (TLG) accessories
- Installation accessories

Majoring in convenience

User-friendly models and options, individually configurable systems

Extraordinary convenience housed in a slim profile

The MUTO system impresses by virtue of its compact elegance and extensive functionality, creating a sliding door system with enhanced user-friendliness.

Even tailored solutions come easily

The fully integrated MUTO offers a choice of models and optional functions, all controlled by mechanisms housed out of sight behind the compact header. The XL 120 Self-Closing model offers the convenience of power-free self-closing, including DORMOTION at end of closing cycle and DORMOTION as an option in opening cycle (add option DMSC).

Optional convenience feature

A convenient option is the MUTO status indicator, which allows the door position to be monitored from anywhere in the building.

Glass, wood, or metal applications

MUTO is particularly suitable for glass applications, but can be adapted for wood, metal, or other door material solutions.

ADA compatibility

MUTO systems are ADA compatible with or without DORMOTION (DM), except for XL 120 SC. Note that, as with traditional swing doors, the force required to disengage from the DM latch and set the door in motion is not included in the measurement when meeting the required 5 lb opening force.

Self-closing – hassle-free



The MUTO Premium XL 120 Self-Closing model automatically closes the door once it has been opened; the quiet action operates without a power supply – an enhancement to any interior.

DORMOTION – the elegant Softclose® damping mechanism



The epitome of elegant convenience, the optional DORMOTION function gently decelerates the door panel over the last few inches, taking it automatically and quietly to its end opened or closed position.

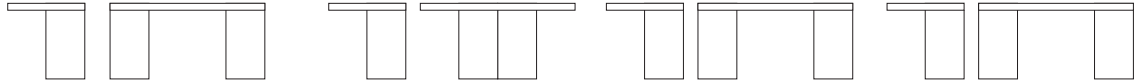
Status indicator – everything under control



The optional status indicator ensures that the sliding door can be monitored with remarkable ease. As soon as the door opens or closes, a status signal is transmitted to the building management system or an indicator lamp – an important benefit in buildings requiring professional facility management capability.

Note: All measurements are shown in inches (mm) – example: 3/8" (10).

Model comparison guide



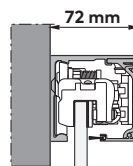
Description	MUTO Premium XL 150 DORMOTION (DM)	MUTO Premium XL 150	MUTO Premium XL 80 DORMOTION (DM)	MUTO Premium XL 120 Self-Closing ³
Track dimensions (less cover)	w = 2-3/4" (70) h = 2-23/32" (69)	w = 2-3/4" (70) h = 2-23/32" (69)	w = 2-3/4" (70) h = 2-23/32" (69)	w = 3-7/8" (98) h = 2-23/32" (69)
Track dimensions + cover profile ¹	w = 2-27/32" (72) h = 2-23/32" (69)	w = 2-27/32" (72) h = 2-23/32" (69)	w = 2-27/32" (72) h = 2-23/32" (69)	w = 3-15/16" (100) h = 2-23/32" (69)
Track dimensions + optional sidelite extrusion + cover ²	w = 3-19/32" (91)	w = 3-19/32" (91)	w = 3-19/32" (91)	w = 4-11/16" (119)

Description	MUTO Premium XL 150 DORMOTION (DM)	MUTO Premium XL 150	MUTO Premium XL 80 DORMOTION (DM)	MUTO Premium XL 120 Self-Closing ³
Glass thickness	5/16"–9/16" (8–13.5)	5/16"–9/16" (8–13.5)	5/16"–9/16" (8–13.5)	5/16"–9/16" (8–13.5)
Max wood door thickness	1-31/32" (50)	1-31/32" (50)	1-31/32" (50)	1-31/32" (50)
Door height	≤ 118" (3 m)	≤ 118" (3 m)	≤ 118" (3 m)	≤ 118" (3 m)
Min door width (glass or wood)	40-1/8" (1020)	26" (660)	31-7/8" (810)	34" (864)
Max glass door width	57" (1448)	57" (1448)	57" (1448)	57" (1448)
Max wood door width	60" (1524)	60" (1524)	60" (1524)	60" (1524)
Door height adjustment	+/- 3/16" (+/- 5)	+/- 3/16" (+/- 5)	+/- 3/16" (+/- 5)	+/- 3/16" (+/- 5)
Max door weight/one door	330 lb (150 kg)	330 lb (150 kg)	176 lb (80 kg)	264 lb (120 kg)
Max door weight/two doors	2 × 330 lb (150 kg)	2 × 330 lb (150 kg)	2 × 176 lb (80 kg)	2 × 264 lb (120 kg)
Clearance between door & wall (glass)	25/32" (20)	25/32" (20)	25/32" (20)	25/32" (20)
Clearance between door & wall (wood)	9/32" (7)	9/32" (7)	9/32" (7)	9/32" (7)
Mounting options	Wall, ceiling (surface or recessed), or glass transom/ fixed panel	Wall, ceiling (surface or recessed), or glass transom/ fixed panel	Wall, ceiling (surface or recessed), or glass transom/ fixed panel	Wall, ceiling (surface or recessed), or glass transom/ fixed panel
25% faster installation	●	●	●	—
Wood door kit available	○	○	○	○
Tempered Laminated Glass (TLG) kit available	○	○	○	○
Functions				
DORMOTION	● Std	○	● Std	● Closing cycle std ³ ○ Opening cycle optional (DMSC)
Synchro (synchronized opening and closing of pairs)	—	○	—	—
Status indicator	○	○	○	○
Self-closing	—	—	—	● Std

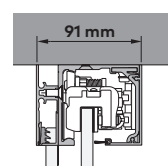
● yes — no ○ optional

Note: Dimensions are in inches, with millimeters as the benchmark.

¹Track dimensions + cover profile

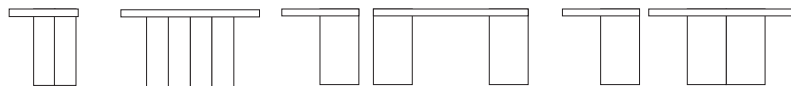


²Track dimensions + optional sidelite extrusion + cover



MUTO Premium XL 80 Telescopic – min. and max. door widths for glass and wood doors

	WITHOUT HANDLE		WITH HANDLE ⁵	
Min. door width	31-3/32" (790)	with DORMOTION	33-21/32" (855)	with DORMOTION
	23-5/8" (600)	without DORMOTION	26-3/16" (665)	without DORMOTION
Max. door width	Fast door 47-1/4" (1200)	Slow door 44-11/16" (1135)	Fast door 49-13/16" (1265)	Slow door 44-11/16" (1135)



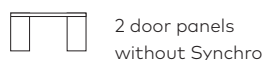
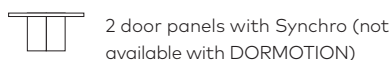
113 Similar to Satin Stainless

	MUTO Premium XL 80 Telescopic ^{3 4}	MUTO Comfort L 80 DORMOTION (DM)	MUTO Comfort L 80	MUTO Comfort M 50
Track dimensions (less cover)	w = 4-15/16" (125) h = 2-23/32" (69)	w = 2-23/32" (69) h = 2-9/32" (58)	w = 2-23/32" (69) h = 2-9/32" (58)	w = 2-3/16" (55) h = 2-9/32" (58)
Track dimensions + cover profile ¹	w = 5" (127) h = 2-23/32" (69)	w = 2-13/16" (71) h = 2-9/32" (58)	w = 2-13/16" (71) h = 2-9/32" (58)	w = 2-1/4" (57) h = 2-9/32" (58)
Track dimensions + optional sidelite extrusion + cover ²	w = 5-3/4" (146)	w = 3-9/16" (90)	w = 3-9/16" (90)	–
Description				
Glass thickness	5/16"–9/16" (8–13.5)	5/16"–9/16" (8–13.5)	5/16"–9/16" (8–13.5)	5/16"–3/8" (8–10)
Max wood door thickness	1-31/32" (50)	1-31/32" (50)	1-31/32" (50)	1-31/32" (50)
Door height	≤ 118" (3 m)	≤ 118" (3 m)	≤ 118" (3 m)	≤ 84" (2134) (glass) ≤ 98-7/16" (2.5m) (wood)
Min. glass and wood door width	See specifications above for min. and max. widths for glass and wood doors with and without handles and with and without DORMOTION (DM).	39" (990)	26" (660)	35-5/8" (905) w DM 26" (660) wo DM
Max glass door width		57" (1448)	57" (1448)	42" (1067)
Max wood door width		60" (1524)	60" (1524)	42" (1067)
Door height adjustment	+ 3/16" – 1/8" (+ 5 – 3)	+ 3/16"–1/8" (+ 5 – 3)	+ 3/16"–1/8" (+ 5 – 3)	+5/32"–3/32" (+ 4–2)
Max door weight/one door	2 × 176 lb (80 kg)	176 lb (80 kg)	176 lb (80 kg)	110 lb (50 kg)
Max door weight/two doors	4 × 176 lb (80 kg)	2 × 176 lb (80 kg)	2 × 176 lb (80 kg)	–
Clearance between door & wall (glass)	21/32" (17) ⁴	11/16" (17)	11/16" (17)	25/32"–15/16" (20–24)
Clearance between door & wall (wood)	5/32" (4)	9/32" (7)	9/32" (7)	Min. 9/32" (7)
Mounting options	Wall, ceiling, or glass transom/fixed panel	Wall, ceiling, or glass transom/fixed panel	Wall, ceiling, or glass transom/fixed panel	Wall or ceiling
25% faster installation	–	●	●	–
Wood door kit available	○	○	○	○
Tempered Laminated Glass (TLG) kit available	○	○	○	–
Functions				
DORMOTION	○ ³	● Std	○	○
Synchro (synchronized opening and closing of pairs)	–	–	○	–
Status indicator	○	○	○	–
Self-closing	–	–	–	–

Notes: ³ XL 120 SC and XL 80 TEL are handed in the direction of the opening cycle. Example: Right hand opens to right when facing the front of the track.

⁴ Gap between fast and slow moving XL 80 TEL glass panels equals: 31/32" (24.5) with 3/8" (10) thick glass and 7/8" (22) for 9/16" (13.5) thick glass

⁵ Minimum panel size based on nominal handle location 2-1/2" (64) from leading edge of glass.



MUTO ordering guide

		Sliding Panels		System Capacity		System Type		Sliding Panel Thickness⁴	
		Four Sliding Panels – (XL 80 TEL Bi-Part)	4P	M – Medium	TEL – Telescopic		WD – 1-3/8" to 1-31/32" (35 to 50) Wood Door – (Default 1-3/4")		
		One Sliding Panel	1P	L – Heavy			8MM – 5/16" (8)		
		Two Sliding Panels ¹	2P	XL – Extra Heavy			10MM – 3/8" (10)		
MUTO	PREMIUM	1P	XL	150			12MM	continued below	
Portfolio	L and M – COMFORT XL – PREMIUM			330 lb (150 kg) – 150 264 lb (120 kg) (SC only) – 120 176 lb (80 kg) – 80² 110 lb (50 kg) – 50	Self-Closing – (120 only)	SC	SYNCHRO DMSC DM	– 2 Panels Move Simultaneously (N/A with DORMOTION) – Dampener (DORMOTION) for SC units – opening cycle – DORMOTION	
	Model			Door Weight		Other System Type	Options		
Mount Type				Sliding Panel Width	Miter	MUTO Finish			
CE-S – Ceiling Mount - Surface				SPECIFY	MITER	399 – Special (Powder Coat/Paint) ⁴			
CE-R – Ceiling Mount - Recessed						199 – Special Anodized ⁴			
W – Wall Mount						113 – Similar to Stainless Steel (SSS) (619 as of January 2018)			
G – Glass Mount						150 – Clear Anodized Aluminum (628 as of January 2018)			
						150			
No Fixed Panel –									
1 x Fixed Panel –	1FP	SPECIFY PNL 1	SPECIFY PNL 2		TLG		SI		
2 x Fixed Panel –	2FP	Fixed Panel Widths			Tempered Laminated Glass		Status Indicator		
	Fixed Panels								

- Two bi-parting panels or two panels for single telescopic.
- MUTO Premium XL 80 not available Less DORMOTION.
- Minimum and maximum panel widths vary by MUTO model.
- For custom 199 or 399 finishes, there may be minimum order quantities based on minimum lot charges. Lead time will be extended.
- Dimensions are converted from millimeters to the closest 1/16" where possible. Always verify with Technical Service for critical dimension verifications.
- One (1), three (3), and five (5) day lead time kits are based on maximum order of ten (10) units.
- Default wood door thickness will be 1-3/4" (44) unless otherwise specified.
- Stock 157" (4 m) extrusion lengths include clamp marks on mounting surface within approximately 1/2" – 1-3/4" (13–44) from each end and may need cut in field for surface applied units. Clamp marks are typically hidden once installed for CE-R units.

Constructing the reference number

As an example, **Ref. No. 836.100.150.99** shown below denotes a MUTO Comfort M 50 system, wall installation, in Clear Anodized Aluminum (150) finish. The short version used in this brochure shows only product category, group, and article definition; for example, 836.100. The other parts of the reference number are variable depending on the particular article and finish.

Ref. No.	836.xxx.xxx.99
Clear anodized aluminum	150
Anodized similar to satin stainless	113
Custom anodized	199
Custom powder coat	399

	Product category	Product group	Article definition	Surface finish	Article status
Code 836.100.150.99	8	36	100	150	99
	dormakaba glass product	MUTO manual sliding door system	MUTO Comfort M 50, wall installation	Clear anodized aluminum	Saleable article

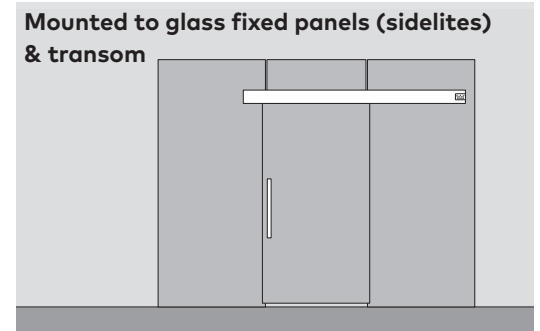
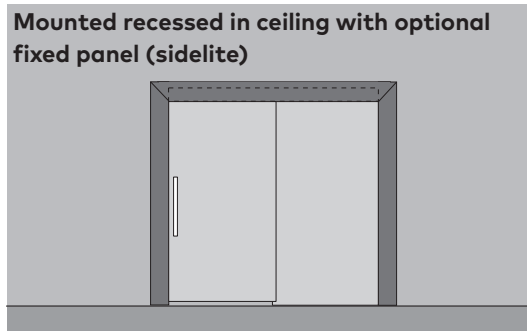
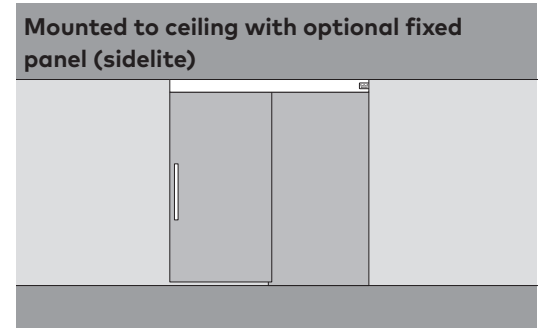
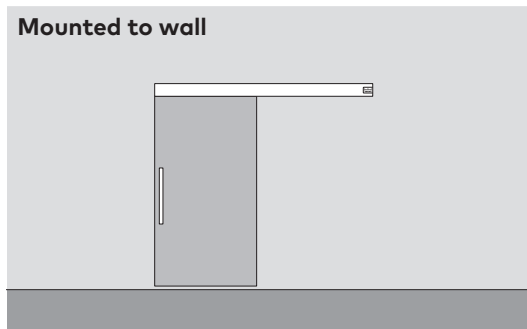
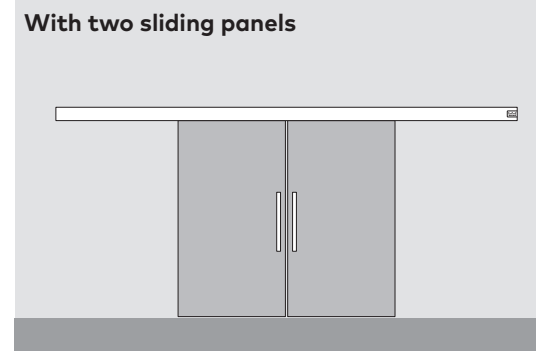
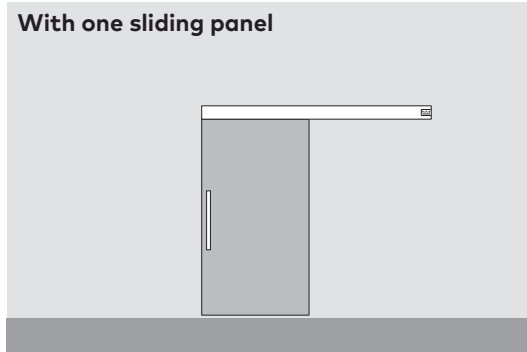
Installation types

Installations

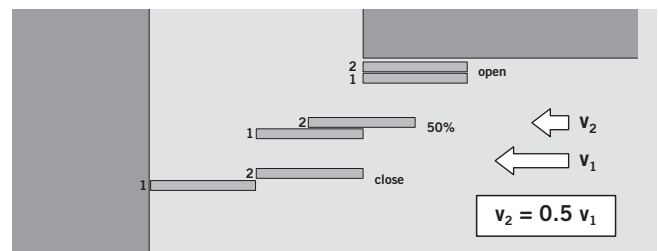
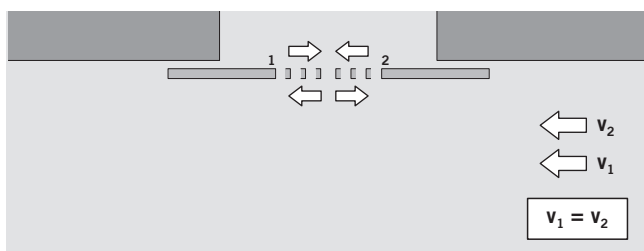
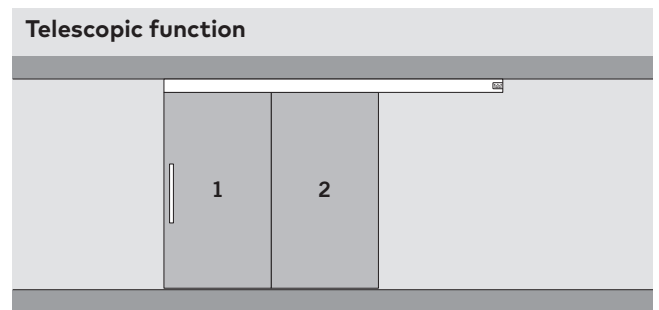
Disclaimer

When sizing MUTO door panels, maximum weight capacity is key. When maximizing door panel width, height, or thickness, one or more of the other dimensions (width, height, or thickness) will require reductions to remain at or below the maximum allowable weight capacity of the specific MUTO sliding unit, within industry codes, standards, or specifications, and within door manufacturer recommendations.

Actual track, cover, and/or other MUTO extrusion profile inventory lengths are 157-1/2" (4 m) for all Make-To-Order (MTO) units. All extrusion includes clamp marks visible within 1/2" (12) to 1-1/2" (38) from each end of all profiles. Clamp marks need to be cut off in the field for any full length profile shipped, with the exception of CE-R units. Please take into consideration when planning system lengths and list price charges. MTO systems other than CE-R will be fabricated at the factory with a joint at center for systems exceeding 154" (3.9 m), or 157" (4 m) for CE-R and charged accordingly with a per FT. list price add.

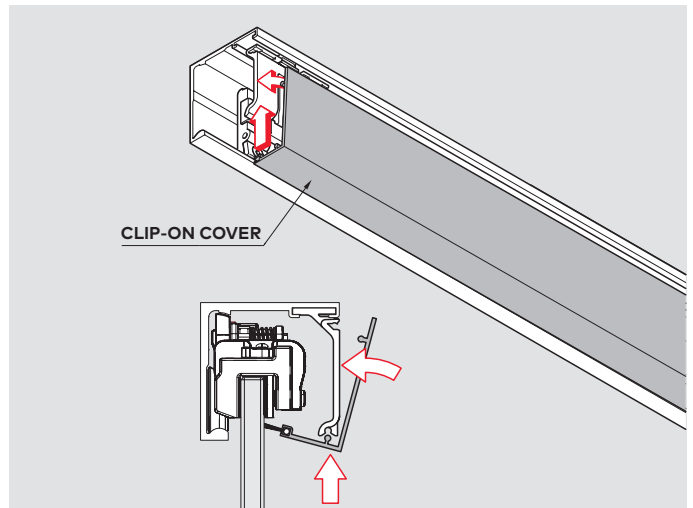
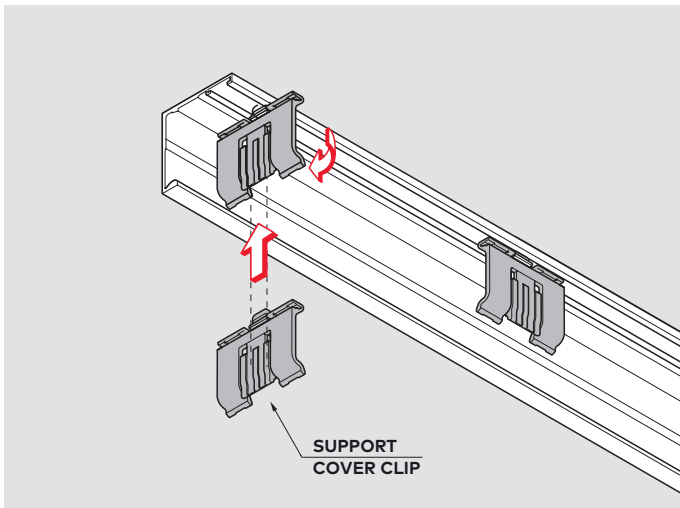


Functions

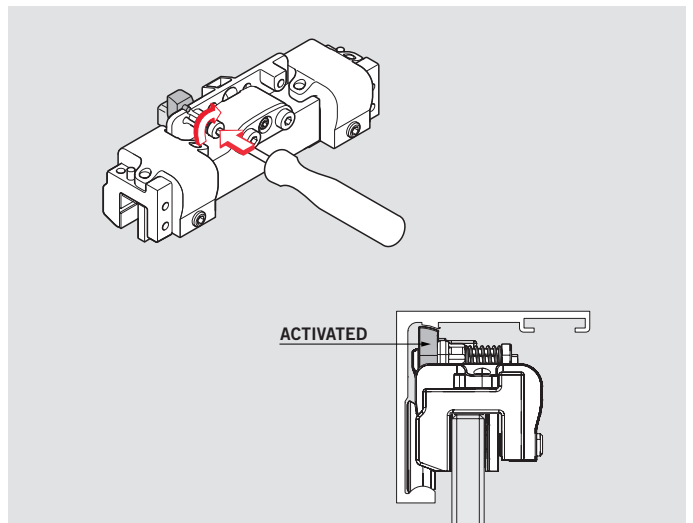
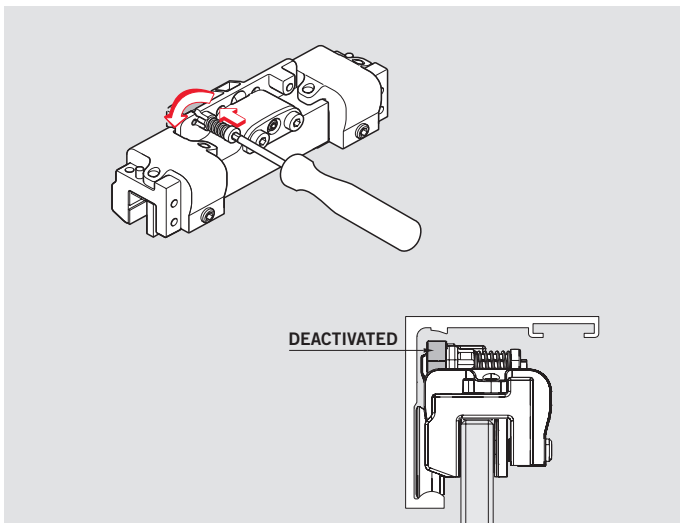


Installation made easy

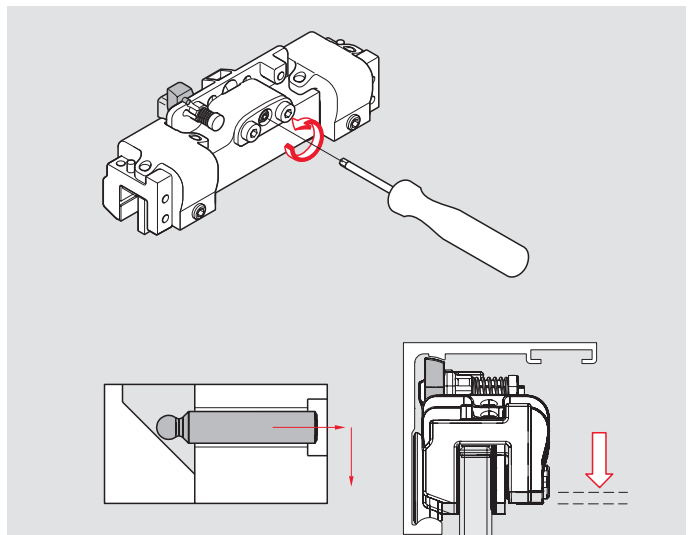
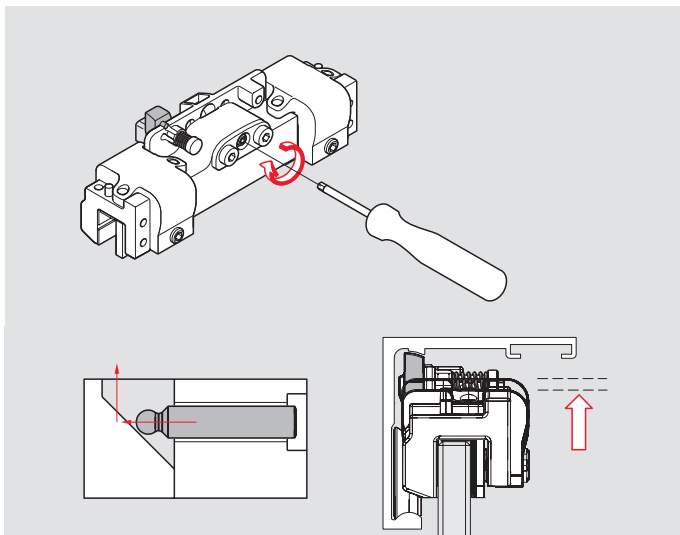
Cover profile



Anti-jump device

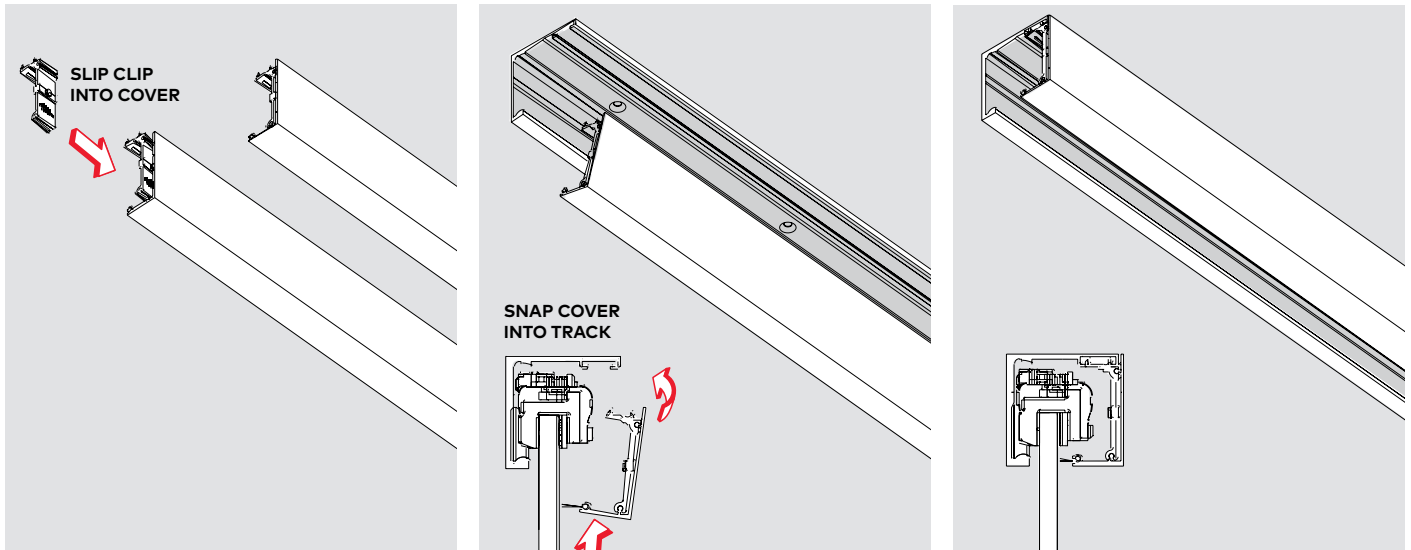


Height adjustment

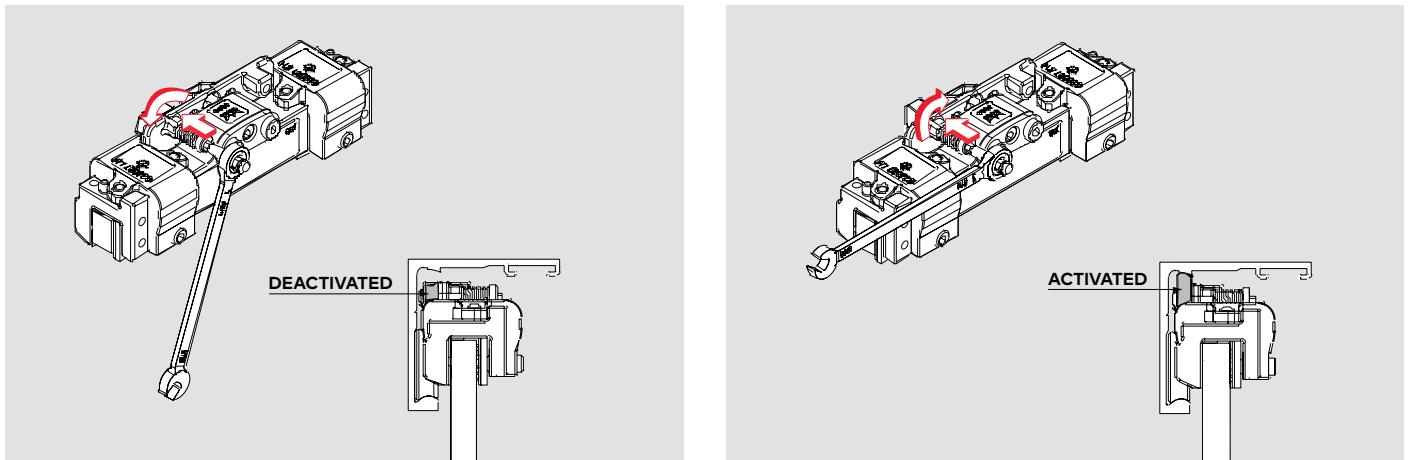


Installation for ceiling recessed (CE-R) mount only

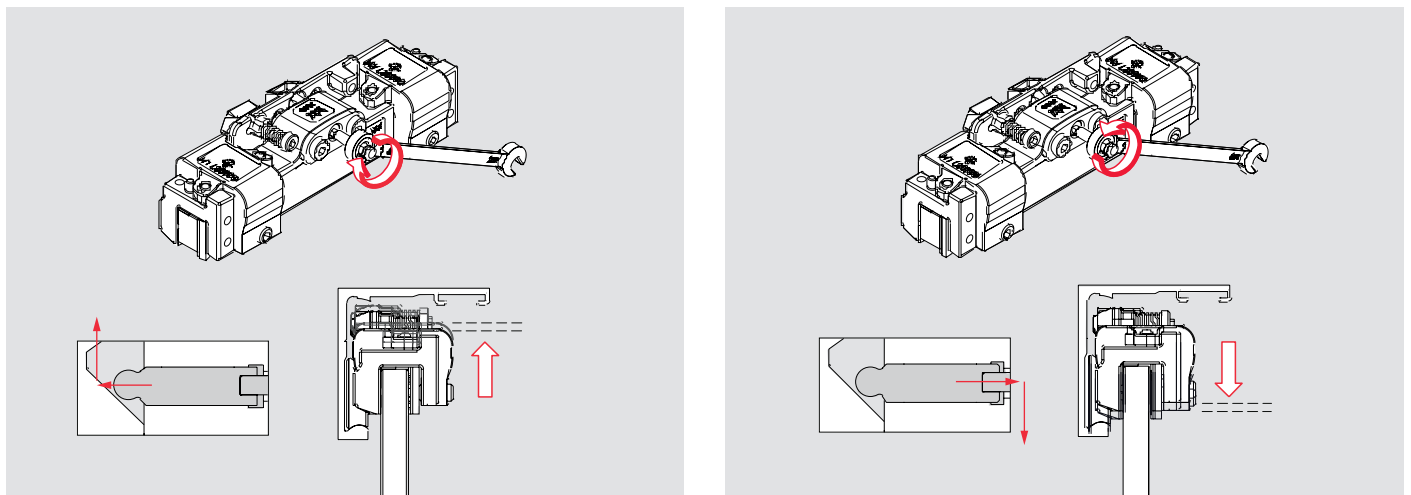
Cover profile



Anti-jump device

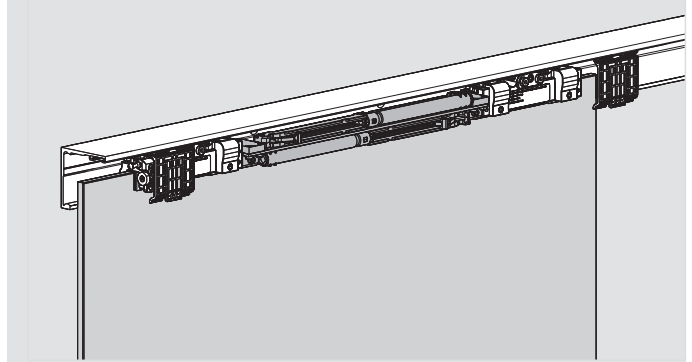
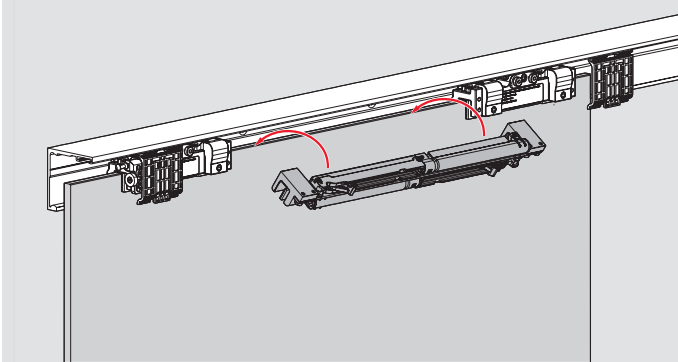


Height adjustment

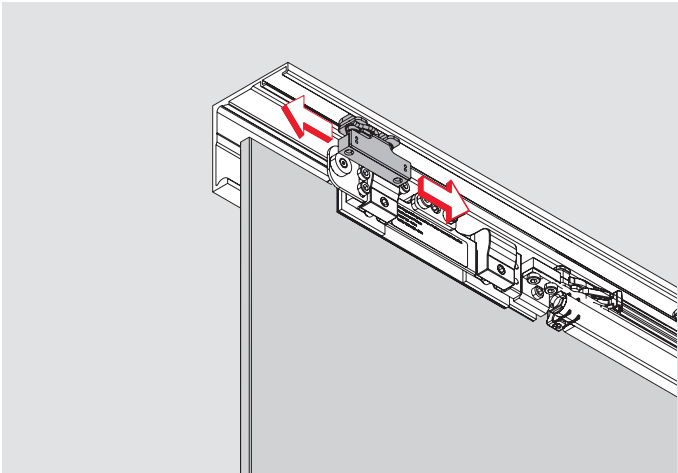


Installation made easy

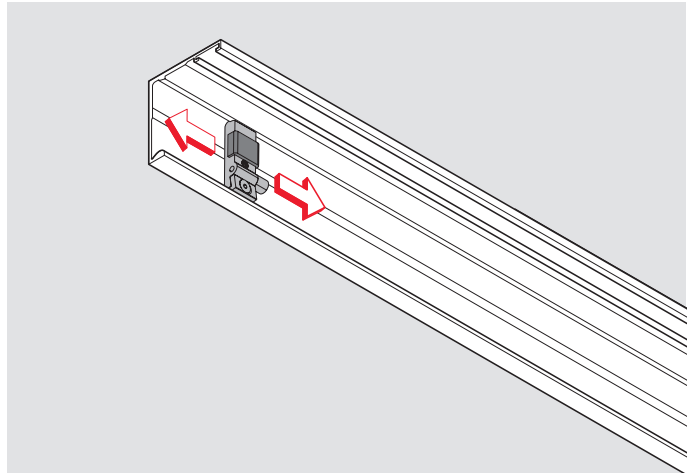
Retrofit DORMOTION in the field
(minimum door panel widths must be considered)



Optional status indicator
retrofitted in field

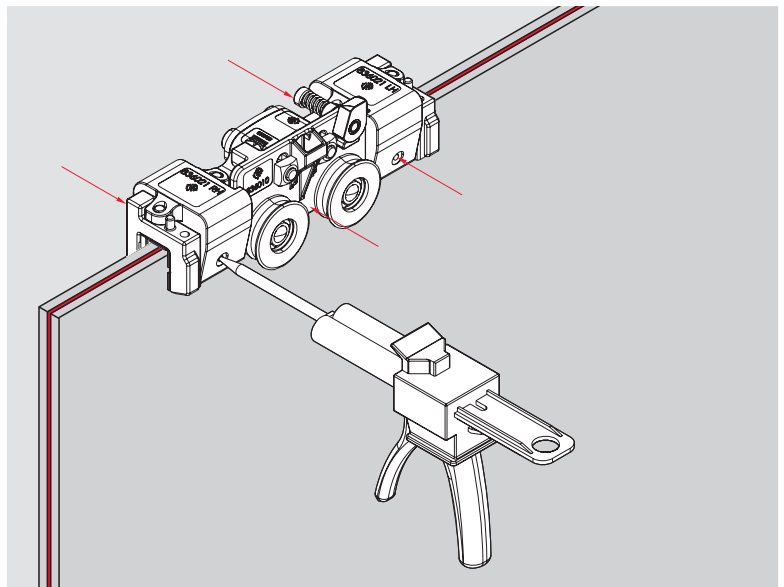


Adjustable endstop



TLG compatibility

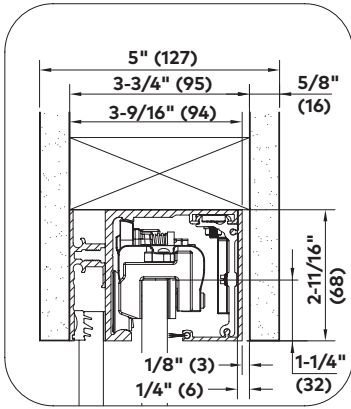
dormakaba's Clamp & Glue technology allows installation to tempered laminated glass. This technology allows secure holding power with minimal clamping force, and does not require special glass preparation.



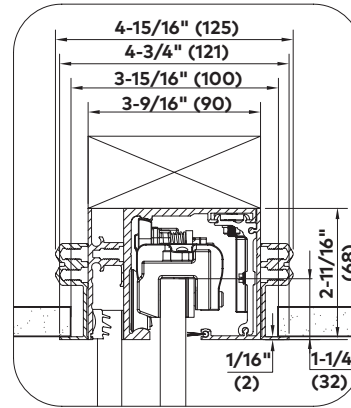
MUTO ceiling recessed (CE-R) mount applications

Premium XL 150/80 DORMOTION (DM), XL 150, XL 120 SC Sliding Panels
 Concealed or Recessed into Ceiling, Header, Drywall, or Drop Ceiling

Two most common applications

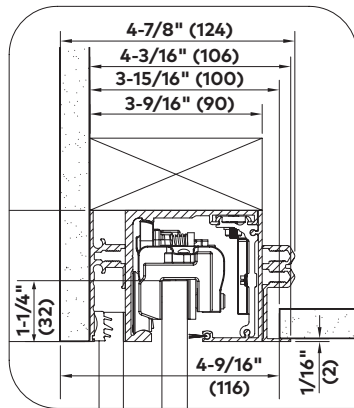


Option 1
 Recessed both sides,
 Drywall vertically
 mounted.

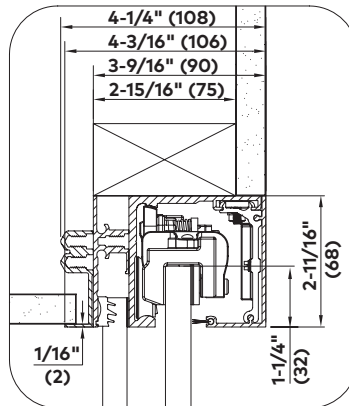


Option 2
 Recessed both sides.
 (May be drop ceiling
 profile 836.820 or
 reinforced drywall;
 drop ceiling shown.)

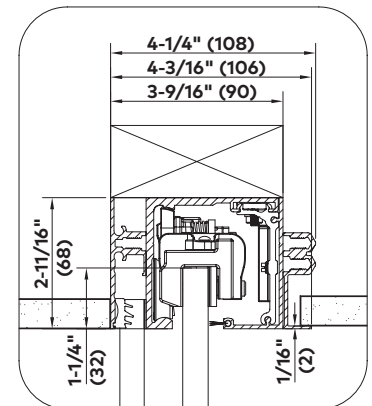
Other applications



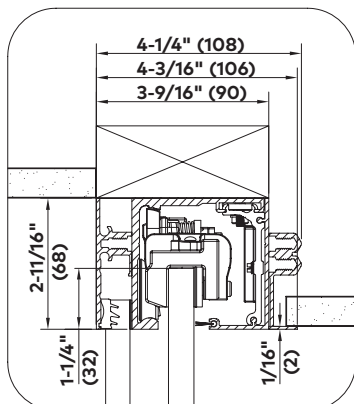
Option 3
 Recessed both sides, drop ceiling
 profile by drywall. (Drop ceiling
 profile 836.820 one side by flush
 vertical drywall other side.)



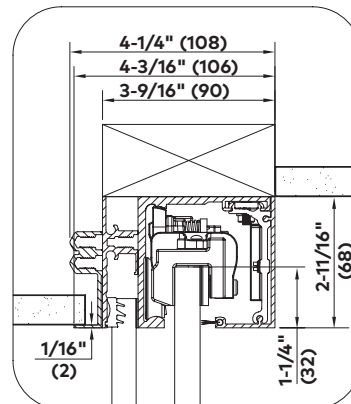
Option 4
 Recessed one side only. Drop
 ceiling profile by drywall above.
 (Drop ceiling profile 836.820 one
 side by vertical drywall above.)



Option 5
 Recessed both sides, Drop
 ceiling profile by drywall. (Drop
 ceiling profile 836.820 one side
 by reinforced drywall other side.)



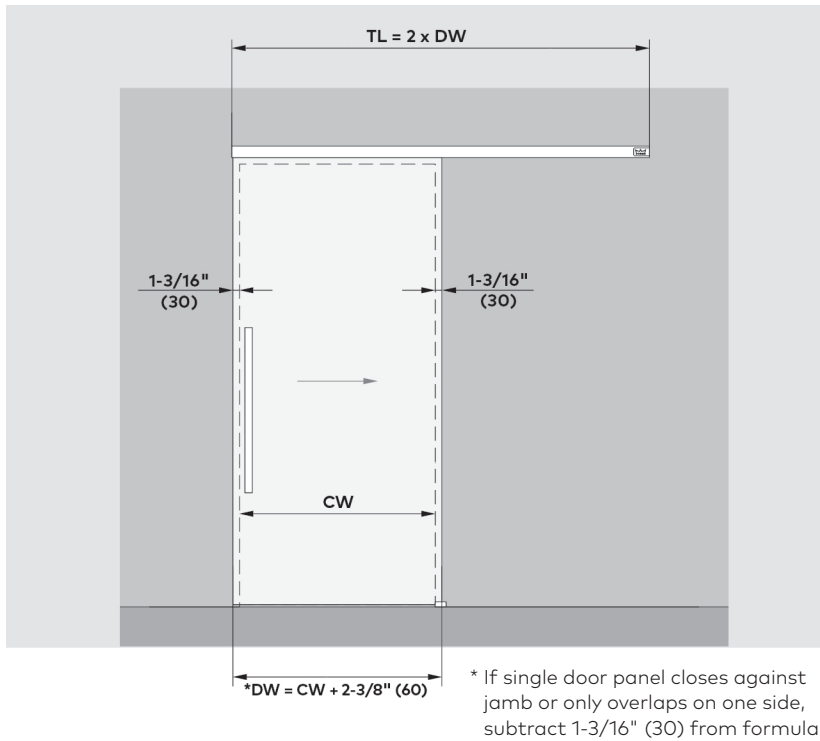
Option 6
 Recessed one side only.
 Drop ceiling profile by
 drywall. (Drop ceiling
 profile 836.820 cover
 side by reinforced
 drywall above sidelite
 profile.)



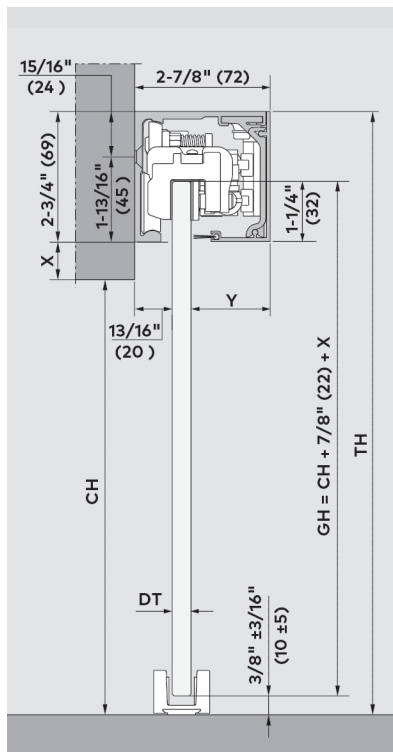
Option 7
 Recessed one side only.
 Drop ceiling profile by
 drywall. (Drop ceiling
 profile 836.820 one side
 by reinforced drywall
 above cover.)

Premium XL 150 DM / XL 150 / XL 80 DM

Typical assemblies mounted to wall



Mounted to wall (W)



Features and data

For installation with one or two sliding door panels mounted to wall; for 5/16"–9/16" (8 –13.5) thick glass

Max. weight of door panels

330 lb (150 kg) for Premium XL 150 DM/XL 150

176 lb (80 kg) for Premium XL 80 DM

Calculation of glass height

$GH = CH + 7/8" (22) + X$
(see drawing)
max 118-1/8" (3000)

Calculation of glass width

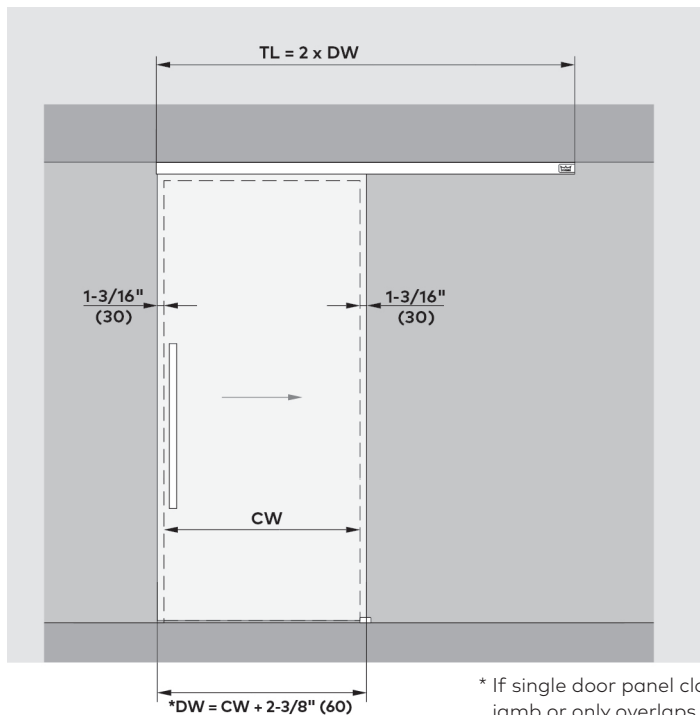
$DW = CW + 2-3/8" (60)$

- DW** = Glass width
- TL** = Track length
- GH** = Glass height
- TH** = Total height
- CH** = Clear opening height
- CW** = Clear opening width
- DT** = Door (glass) thickness
- Y** = 2-7/8" (72) – 13/16" (20) – DT
- X** = Bottom of track channel to top of clear opening

	XL 150 DM	XL 150	XL 80 DM
min DW	40-3/16" (1020)	26" (660)	31-7/8" (810)
max DW	57" (1448)	57" (1448)	57" (1448)
max 2P DW	2 × 57" (1448)	2 × 57" (1448)	2 × 57" (1448)

Premium XL 150 DM / XL 150 / XL 80 DM

Typical assemblies mounted to ceiling



* If single door panel closes against jamb or only overlaps on one side, subtract 1-3/16" (30) from formula.

Features and data

For installation with one or two sliding door panels mounted to ceiling; for 5/16"–9/16" (8 –13.5) thick glass

Max. weight of door panels

330 lb (150 kg) for Premium XL 150 DM/XL 150

176 lb (80 kg) for Premium XL 80 DM

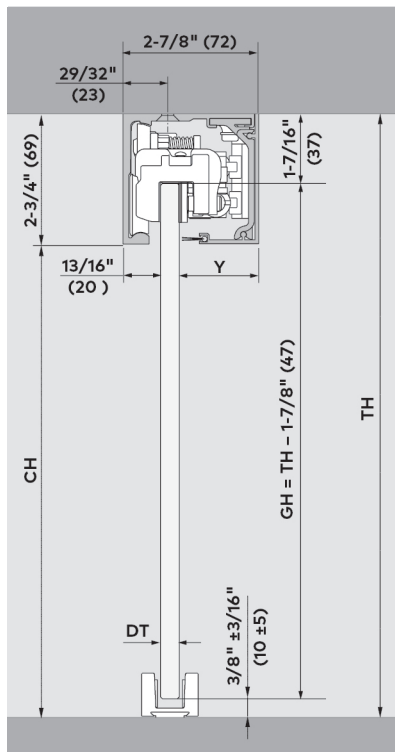
Calculation of glass height (CE-S)

$GH = TH - 1-7/8" (47)$
max 118-1/8" (3000)

Calculation of glass width

$DW = CW + 2-3/8" (60)$

Mounted to ceiling (CE-S)



XL 150 DM	
min DW	40-3/16" (1020)
max DW	57" (1448)
max 2P DW	2 × 57" (1448)
XL 150	
min DW	26" (660)
max DW	57" (1448)
max 2P DW	2 × 57" (1448)
XL 80 DM	
min DW	31-7/8" (810)
max DW	57" (1448)
max 2P DW	2 × 57" (1448)

- DW = Glass width
- TL = Track length
- GH = Glass height
- TH = Total height
- CH = Clear opening height
- CW = Clear opening width
- DT = Door (glass) thickness
- Y = 2-7/8" (72) – 13/16" (20) – DT

Premium XL 150 DM / XL 150 / XL 80 DM

Typical assemblies mounted to or in ceiling with one sliding panel and fixed panel on one side

Features and data

For installation with one sliding door panel with fixed panel, mounted to ceiling or in ceiling; for 5/16"–9/16" (8–13.5) thick glass

Max. weight of door panels

330 lb (150 kg) for Premium XL 150 DM/XL 150

176 lb (80 kg) for Premium XL 80 DM

Calculation of glass width

$DW = CW + 1-3/16"$ (30)

	XL 150 DM
min DW	40-3/16" (1020)
max DW	57" (1448)
	XL 150
min DW	26" (660)
max DW	57" (1448)
	XL 80 DM
min DW	31-7/8" (810)
max DW	57" (1448)

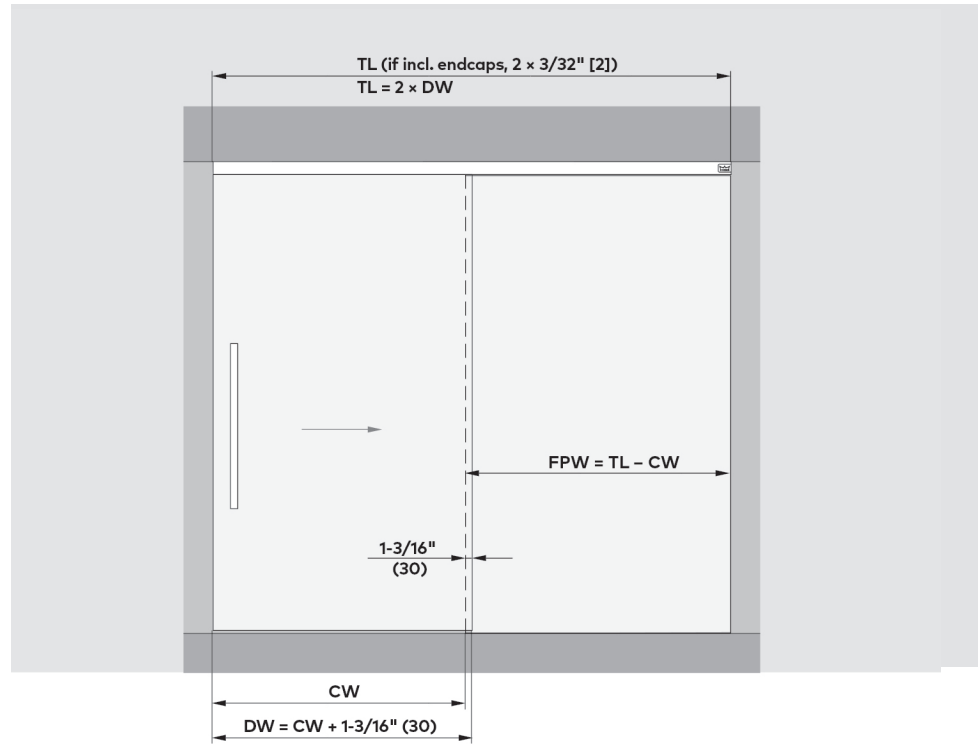
Calculation of glass height (CE-S/CE-R)

$GH = TH - 1-7/8"$ (47)

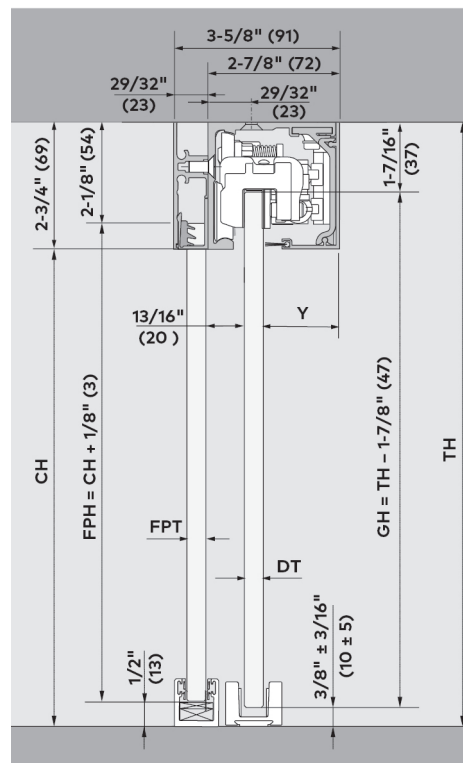
$FPH = CH + 1/8"$ (3)

max 118-1/8" (3000)

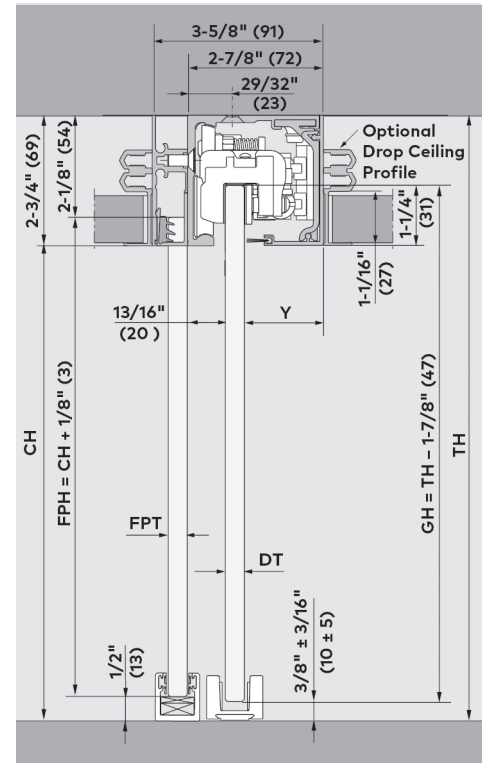
- DW = Glass width
- TL = Track length
- GH = Glass height sliding door
- FPH = Fixed panel (sidelite) height
- TH = Total height
- CH = Clear opening height
- CW = Clear opening width
- FPW = Fixed panel (sidelite) width
- DT = Door (glass) thickness
- FPT = Fixed panel (glass) thickness
- Y = 2-7/8" (72) – 13/16" (20) – DT



Mounted to ceiling (CE-S)

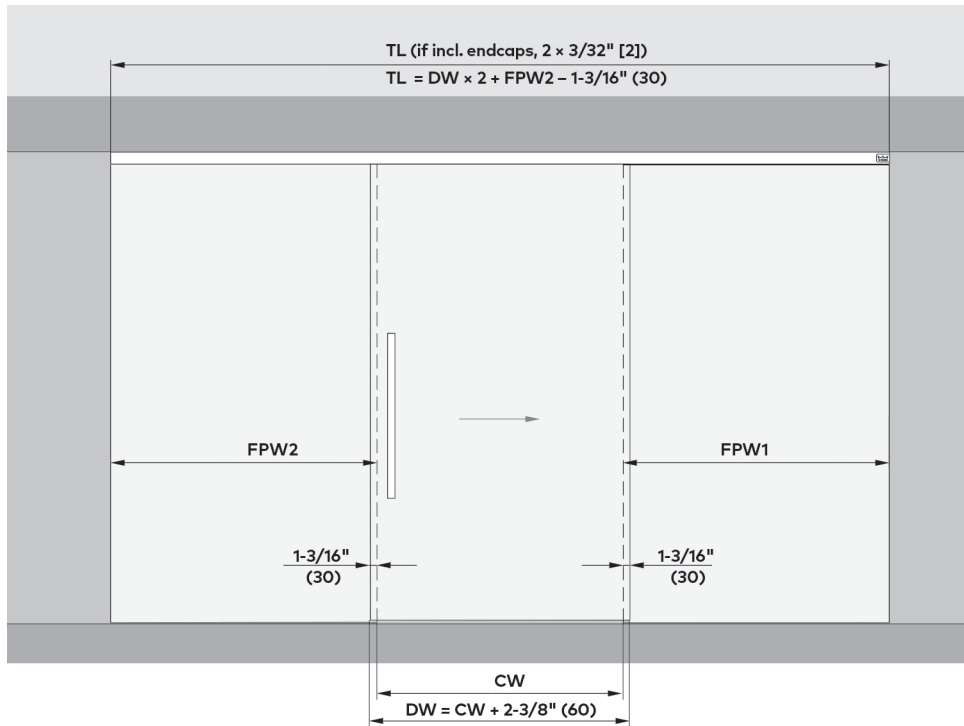


Mounted in ceiling (CE-R)



Premium XL 150 DM / XL 150 / XL 80 DM

Typical assemblies mounted to or in ceiling with one sliding panel and fixed panels on both sides



Features and data

For installation with one sliding door panel with fixed panel on both sides; for 5/16"–9/16" (8–13.5) thick glass

Max. weight of door panels

330 lb (150 kg) for Premium XL 150 DM/XL 150

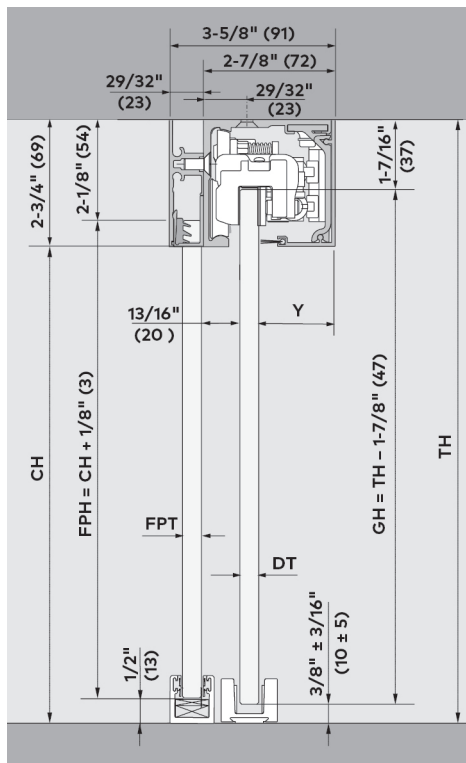
176 lb (80 kg) for Premium XL 80 DM

Calculation of glass width

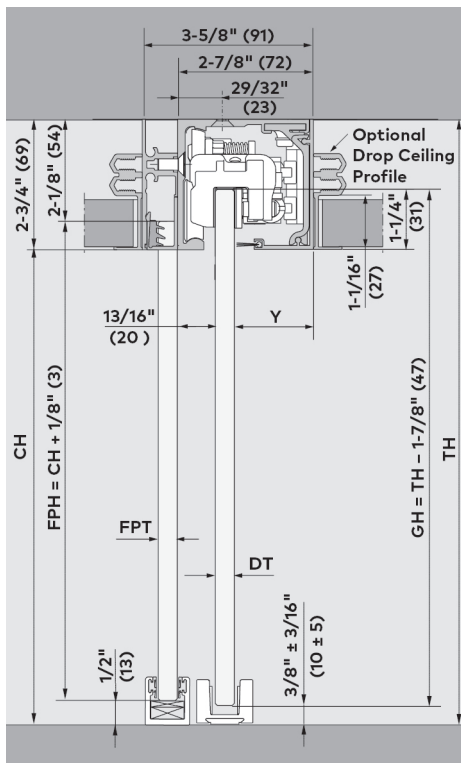
$DW = CW + 2-3/8" (60)$

XL 150 DM	
min DW	40-3/16" (1020)
max DW	57" (1448)
XL 150	
min DW	26" (660)
max DW	57" (1448)
XL 80 DM	
min DW	31-7/8" (810)
max DW	57" (1448)

Mounted to ceiling (CE-S)



Mounted in ceiling (CE-R)



Calculation of glass height (CE-S/CE-R)

$GH = TH - 1-7/8" (47)$

$FPH = CH + 1/8" (3)$

max 118-1/8" (3000)

- DW = Glass width
- TL = Track length
- GH = Glass height sliding door
- FPH = Fixed panel (sidelite) height
- TH = Total height
- CH = Clear opening height
- CW = Clear opening width
- FPW1 = Fixed panel (sidelite) width 1
- FPW2 = Fixed panel (sidelite) width 2
- DT = Door (glass) thickness
- FPT = Fixed panel (glass) thickness
- Y = 2-7/8" (72) - 13/16" (20) - DT

Premium XL 150 DM / XL 150 / XL 80 DM

Typical assemblies mounted to or in ceiling with one sliding panel and fixed panels on both sides

Features and data

For installation with two sliding door panels with fixed panel on each side mounted to ceiling or in ceiling; for 5/16"–9/16" (8–13.5) thick glass

Max. weight of door panels

330 lb (150 kg) for Premium XL 150 DM/XL 150

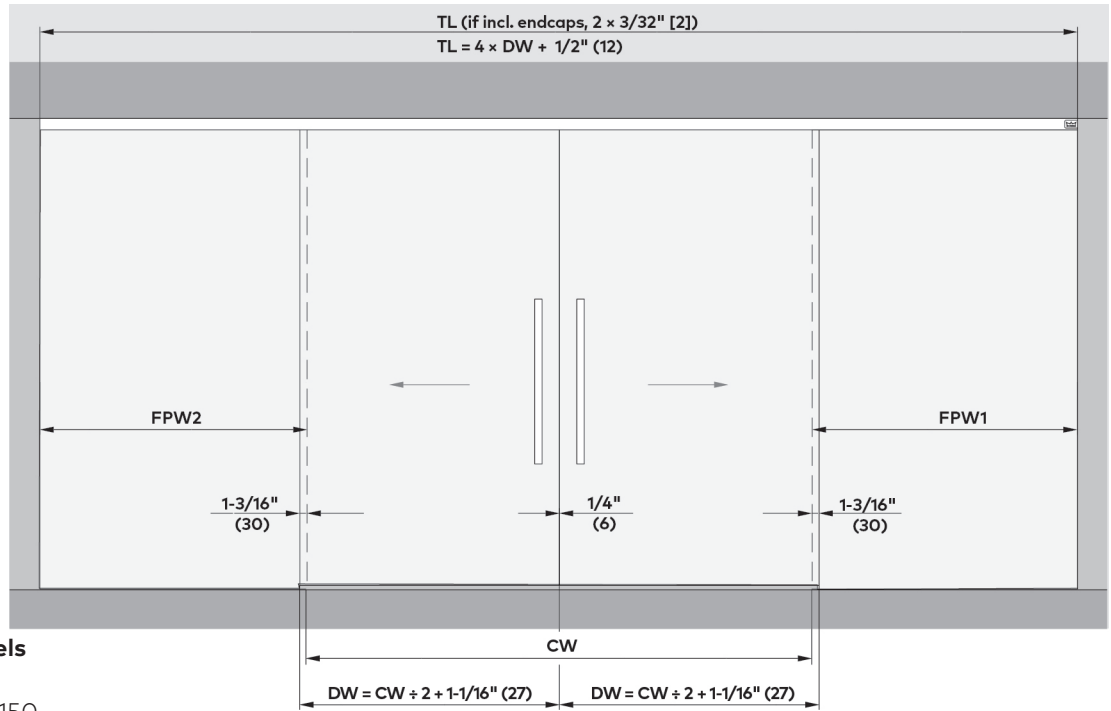
176 lb (80 kg) for Premium XL 80 DM

Calculation of glass width

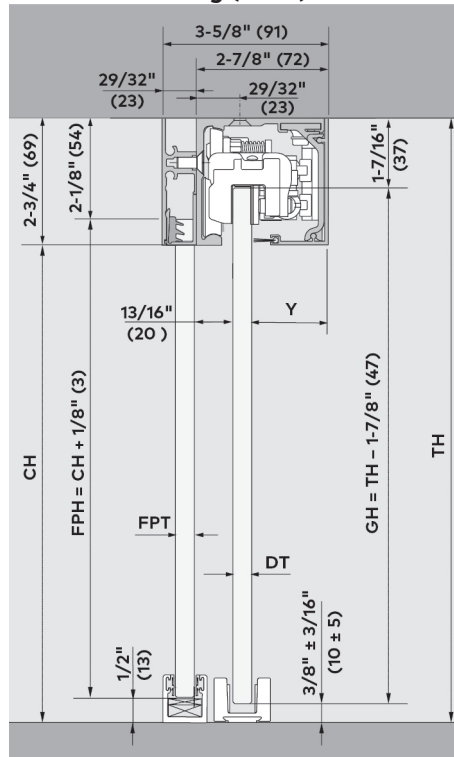
$$DW = CW \div 2 + 1-1/16" (27)$$

XL 150 DM	
min 2P DW	2 × 40-3/16" (1020)
max 2P DW	2 × 57" (1448)
XL 150	
min 2P DW	2 × 26" (660)
max 2P DW	2 × 57" (1448)
XL 80 DM	
min 2P DW	2 × 31-7/8" (810)
max 2P DW	2 × 57" (1448)

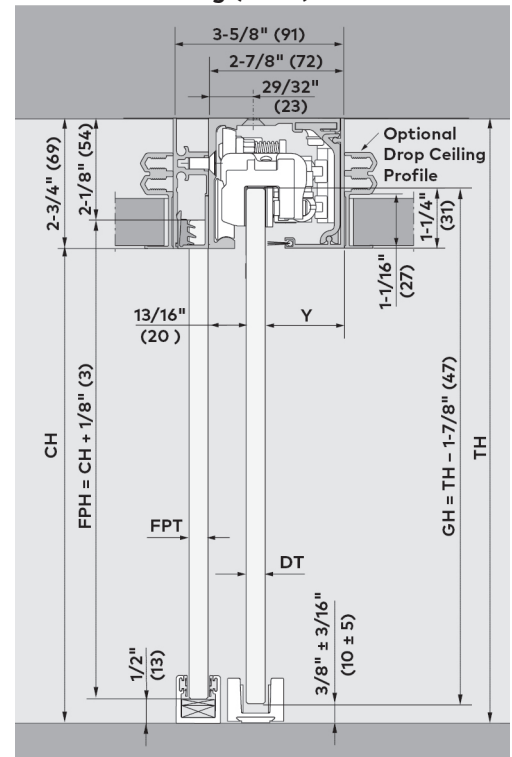
- DW = Glass width
- TL = Track length
- GH = Glass height sliding door
- FPH = Fixed panel (sidelite) height
- TH = Total height
- CH = Clear opening height
- CW = Clear opening width
- FPW1 = Fixed panel (sidelite) width 1
- FPW2 = Fixed panel (sidelite) width 2
- DT = Door (glass) thickness
- FPT = Fixed panel (glass) thickness
- Y = 2-7/8" (72) – 13/16" (20) – DT



Mounted to ceiling (CE-S)



Mounted in ceiling (CE-R)



Calculation of glass height (CE-S/CE-R)

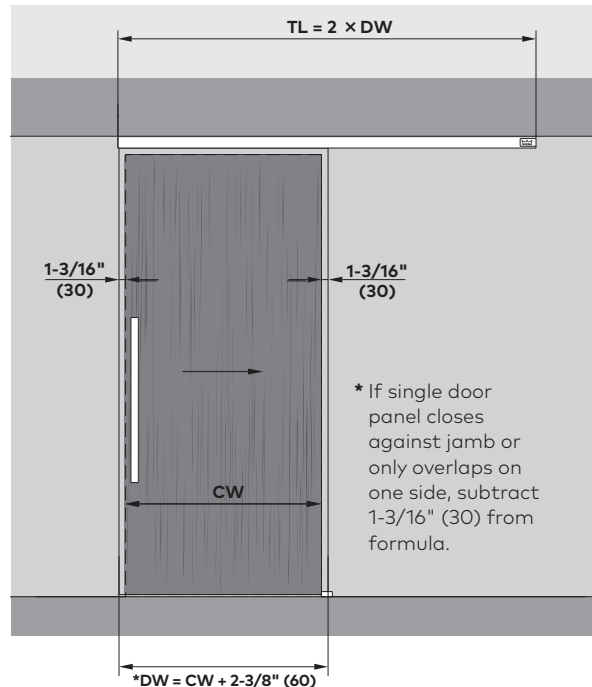
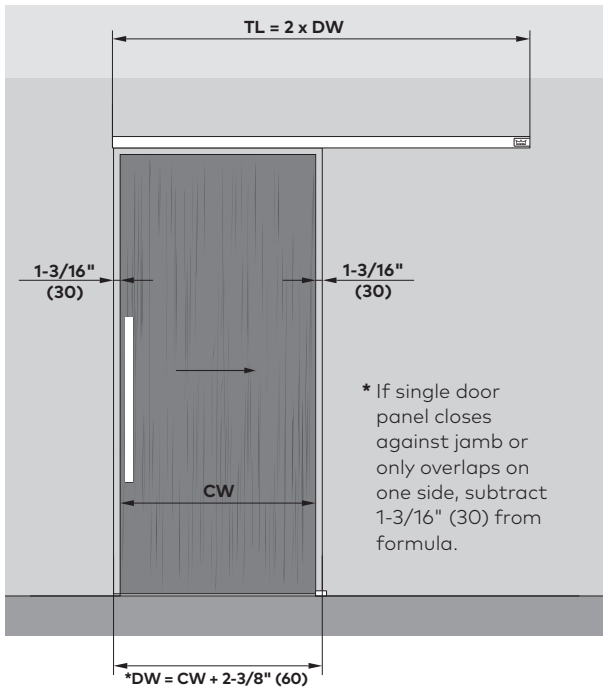
$$GH = TH - 1-7/8" (47)$$

$$FPH = CH + 1/8" (3)$$

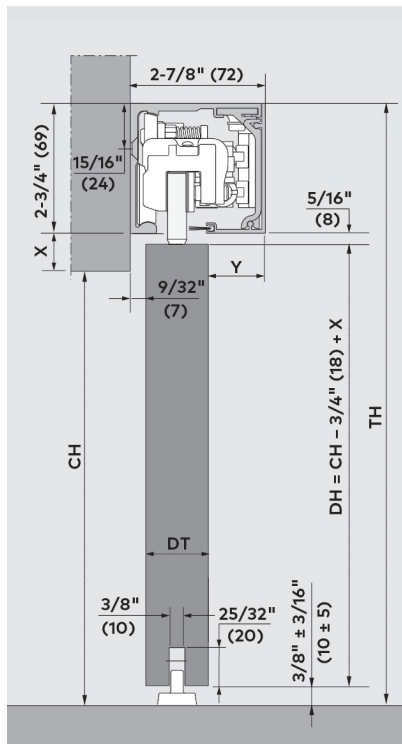
$$\text{max } 118-1/8" (3000)$$

Premium XL 150 DM / XL 150 / XL 80 DM

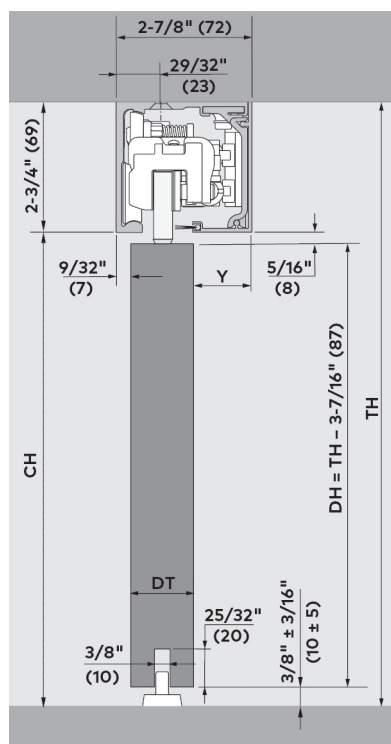
Typical assemblies for wood doors



Mounted to wall (W)



Mounted to or in ceiling (CE-S/CE-R)



Features and data

For installation with wood door; mounted to wall or ceiling; for 1-1/8" - 1-31/32" (28 - 50) thick wood doors

Max. weight of door panels

330 lb (150 kg) for Premium XL 150 DM/XL 150
176 lb (80 kg) for Premium XL 80 DM

Calculation of door height

$DH = CH - 3/4'' (18) + X$ (wall)
 $DH = TH - 3\text{-}7/16'' (87)$ (ceiling)
max 118-1/8" (3000)

Calculation of door width

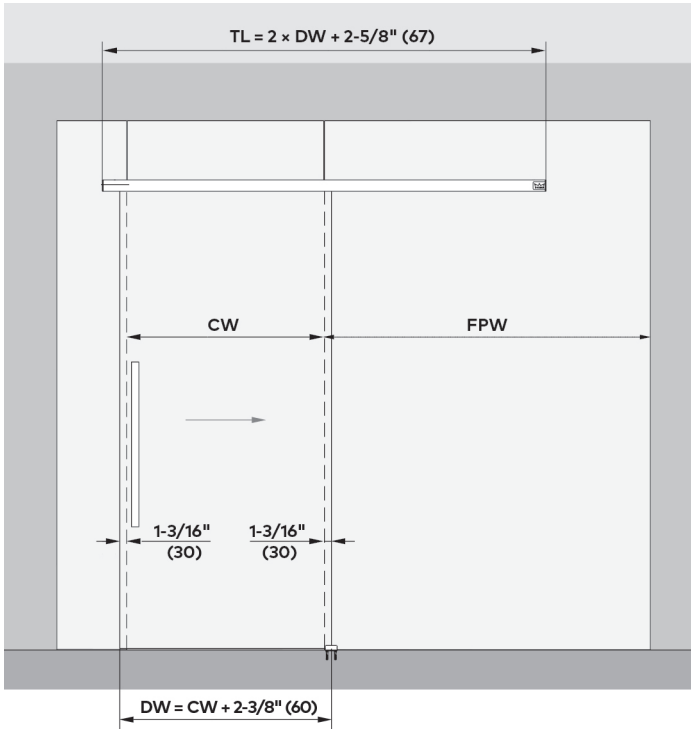
$DW = CW + 2\text{-}3/8'' (60)$

- DW** = Glass width
- TL** = Track length
- TH** = Total height
- DH** = Door height
- DT** = Door (wood) thickness
- CH** = Clear opening height
- CW** = Clear opening width
- Y** = 2-7/8" (72) - 5/16" (7) - DT
- X** = Bottom of track channel to top of clear opening

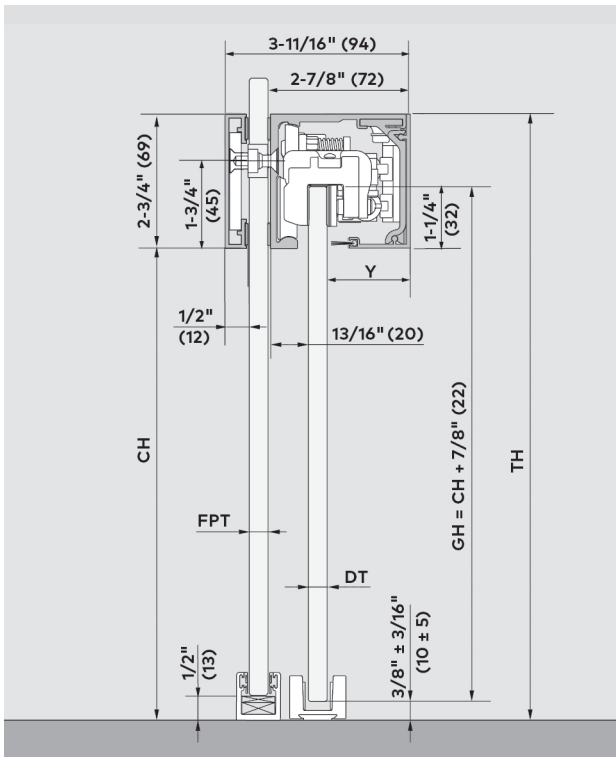
	XL 150 DM	XL 150	XL 80 DM
min DW	40-3/16" (1020)	26" (660)	31-7/8" (810)
max DW	60" (1524)	60" (1524)	60" (1524)
max 2P DW	2 x 60" (1524)	2 x 60" (1524)	2 x 60" (1524)

Premium XL 150 DM / XL 80 DM

Typical assemblies mounted on glass with one sliding panel



Note: To ensure a correct and aligned mounting of the track rail, a full supporting fixed panel must be installed.



Features and data

For installation with one sliding panel mounted on glass; for 5/16"–9/16" (8–13.5) thick glass

Max. weight of door panels

330 lb (150 kg) for Premium XL 150 DM

176 lb (80 kg) for Premium XL 80 DM

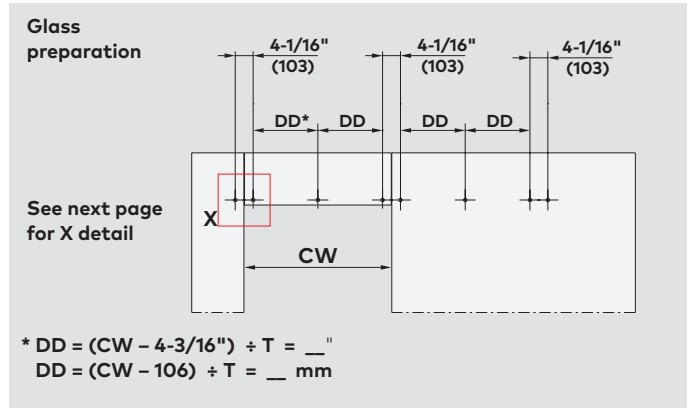
Calculation of glass height

GH = CH + 7/8" (22)
max 118-1/8" (3000)

Calculation of glass width

DW = CW + 2-3/8" (60)

XL 150 DM	
min DW	40-3/16" (1020)
min CW	37-13/16" (960)
max DW	57" (1448)
max CW	54-3/4" (1390)
XL 80 DM	
min DW	31-7/8" (810)
min CW	29-9/16" (750)
max DW	57" (1448)
max CW	54-3/4" (1390)



Calculation example

DD = (31-1/2" - 4-3/16") ÷ 2 = 13-11/16"
DD = (800 - 106) ÷ 2 = 347

T = Formula Value
Z = Quantity of holes to drill

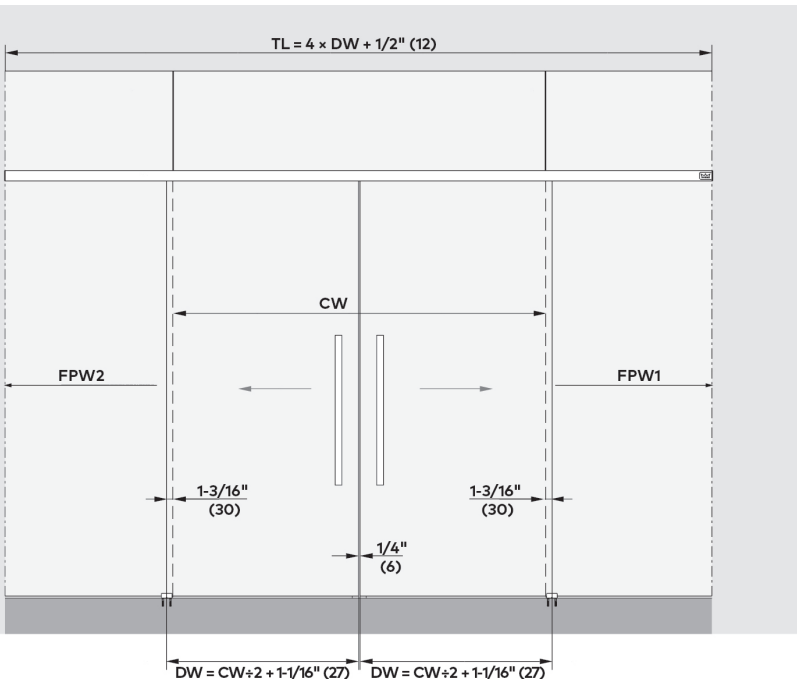
The total quantity of holes (Z) depends on clear opening width (CW) and determines the final drilling distance (DD).

	T	Z
CW ≥ 23-5/8" (600)	2	8
≤ 31-1/2" (800)		
CW > 31-1/2" (800)	3	10
≤ 39-3/8" (1000)		
CW > 39-3/8" (1000)	4	12
≤ 47-1/4" (1200)		
CW > 47-1/4" (1200)	5	14
≤ 54-5/8" (1388)		

- Use the equation to determine (DD) drilling distance (hole spacing) at defined (DD) locations.
- Provide (CW) clear opening width to determine value for (T).
- Insert value for (T) to formula equation to calculate (DD) drilling distance.

Premium XL 150 DM / XL 80 DM

Typical assemblies mounted on glass with two sliding panels



Features and data

For installation with two sliding panels mounted on glass; for 5/16"–9/16" (8 –13.5) thick glass

Max. weight of door panels

330 lb (150 kg) for Premium XL 150 DM

176 lb (80 kg) for Premium XL 80 DM

Calculation of glass height

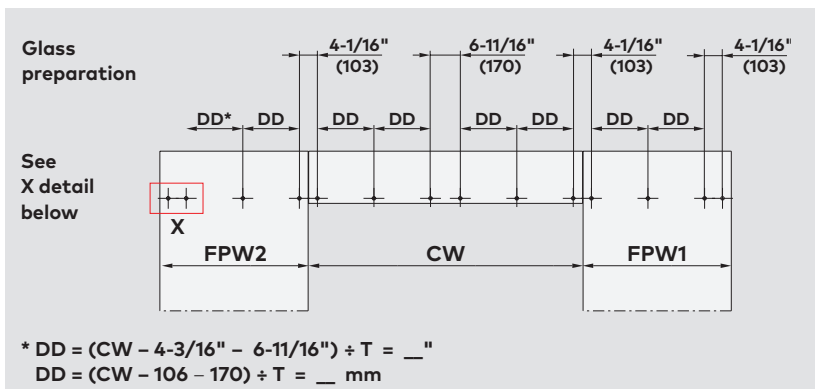
GH = CH + 7/8" (22)
max 118-1/8" (3000)

Calculation of glass width

DW = CW ÷ 2 + 1-1/16" (27)

	XL 150 DM	XL 80 DM
min DW	40-3/16" (1020)	31-7/8"
min CW	78-3/16" (1986)	61-11/16"
max DW	57" (1448)	57"
max CW	112-1/16" (2846)	112-1/16" (2846)

Refer to Elevation drawing on previous page.



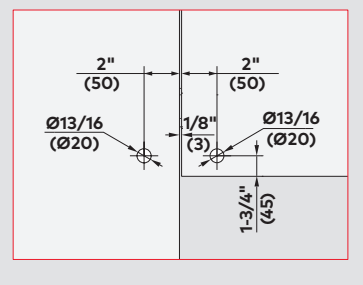
Calculation example

DD = (55-1/8" - 4-3/16" - 6-11/16") ÷ 4 = 11-1/16"
DD = (1400 - 106 - 170) ÷ 4 = 281

	T	Z
CW ≥ 47-1/4" (1200)	4	14
≤ 59-1/16" (1500)		
CW > 59-1/16" (1500)	6	18
≤ 78-3/4" (2000)		
CW > 78-3/4" (2000)	8	22
≤ 112-1/16" (2846)		

- DW = Glass width
- Z = Quantity of drillings
- TL = Track length
- DD = Drilling distance
- TH = Total height
- CH = Clear opening height
- CW = Clear opening width
- GH = Door (glass) height
- FPW = Fixed panel (sidelite) width
- T = Set formula value derived from CW
- DT = Door (glass) thickness
3/8" – 3/4" (10 – 19)
- FPT = Fixed panel (sidelite) thickness
- Y = 2-7/8" (72) – 13/16" (20) – DT

X detail



T = Formula Value

Z = Quantity of holes to drill

The total quantity of holes (Z) depends on clear opening width (CW) and determines the final drilling distance (DD).

- Use the equation to determine (DD) drilling distance (hole spacing) at defined (DD) locations.
- Provide (CW) clear opening width to determine value for (T).
- Insert value for (T) to formula equation to calculate (DD) drilling distance.

Premium XL 150 DM / XL 150 / XL 80 DM

Sliding door sets with one sliding panel and one or two fixed panels, ceiling surface installation

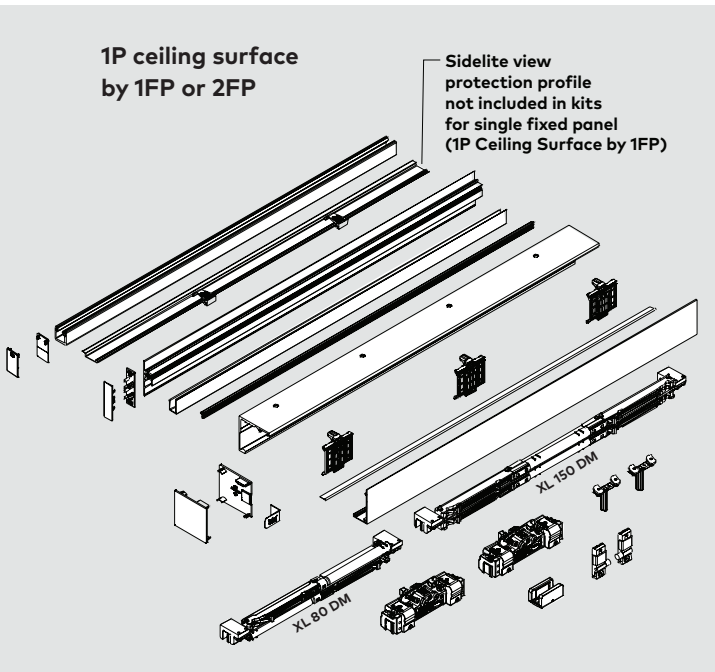
Incl. track/endcaps, cover, cover clips, gasket, end stops, roller carriers, DORMOTION¹, DM start/stops¹, floor guide, sidelite profile and gasket, sidelite filler profile, sidelite endcaps, U-Channel and gasket, and sidelite mounting hardware. (Sidelite view profile included if appropriate.)

Complete accessories for 5/16"–9/16" (8 –13.5) thick glass.

XL 150 DM / XL 150 max 330 lb (150 kg).
XL 80 DM max 176 lb (80 kg).

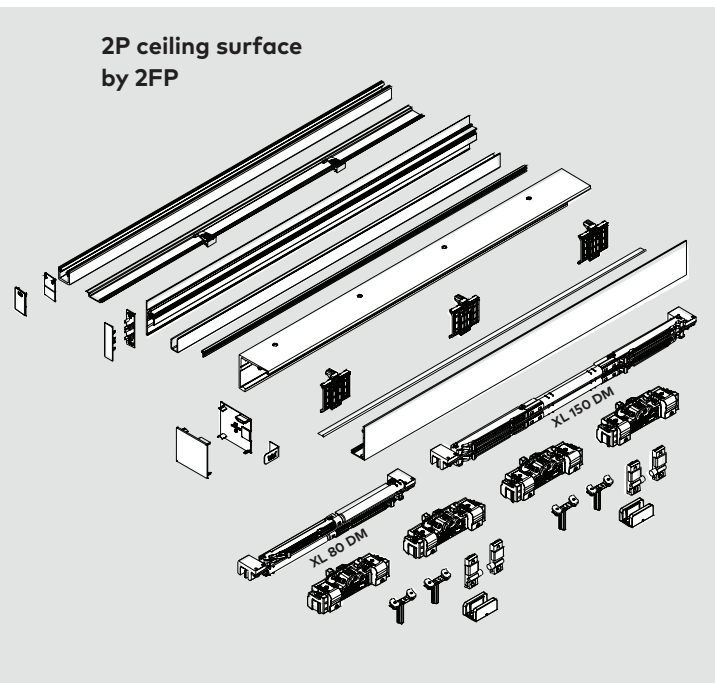
¹XL 150 set does not include DORMOTION or DM start/stops.

1P ceiling surface by 1FP – Set for ceiling surface installation with one sliding panel and one fixed panel.



	Min panel width	Min clear opening width	Max panel width ²	Max clear opening width ²	Max track length ²	Ref. No.
1P XL 150 DM CE-S 1FP						
MTO	40-3/16" (1020)	37-13/16" (960)	57" (1448)	54-5/8" (1388)	157-1/2" (4000)	236.589
1P XL 150 CE-S 1FP						
MTO	26" (660)	23-5/8" (600)	57" (1448)	54-5/8" (1388)	157-1/2" (4000)	236.588
1P XL 80 DM CE-S 1FP						
MTO	31-7/8" (810)	29-1/2" (750)	57" (1448)	54-5/8" (1388)	157-1/2" (4000)	236.583

1P ceiling surface by 2FP – Set for ceiling surface installation with one sliding panel and two fixed panels.



	Min panel width	Min clear opening width	Max panel width ²	Max clear opening width ²	Max track length ²	Ref. No.
1P XL 150 DM CE-S 2FP						
MTO	40-3/16" (1020)	37-13/16" (960)	57" (1448)	54-5/8" (1388)	157-1/2" (4000)	236.591
1P XL 150 CE-S 2FP						
MTO	26" (660)	23-5/8" (600)	57" (1448)	54-3/8" (1381)	157-1/2" (4000)	236.590
1P XL 80 DM CE-S 2FP						
MTO	31-7/8" (810)	29-1/2" (750)	57" (1448)	54-3/8" (1381)	157-1/2" (4000)	236.585

2P ceiling surface by 2FP – Set for ceiling surface installation with two sliding panels and two fixed panels.

	Min panel width	Min clear opening width	Max panel width ²	Max clear opening width ²	Max track length ²	Ref. No.
2P XL 150 DM CE-S 2FP						
MTO	40-3/16" (1020)	78-3/16" (1986)	57" (1448)	111-7/8" (2842)	157-1/2" (4000)	236.587
2P XL 150 CE-S 2FP						
MTO	26" (660)	49-13/16" (1266)	57" (1448)	111-7/8" (2842)	157-1/2" (4000)	236.592
2P XL 80 DM CE-S 2FP						
MTO	31-7/8" (810)	59-1/4" (1505)	57" (1448)	111-7/8" (2842)	157-1/2" (4000)	236.587

Note: Refer to Component parts section for wood door adapter options.

² For 157-1/2" track lengths, only 154" are useable.
Max wood door sizes can be increased by 3" (76), MTO only.

Premium XL 150 DM / XL 150 / XL 80 DM

Sliding door sets with one sliding panel and one or two fixed panels, ceiling recessed installation

Incl. track/endcaps, cover, cover clips, gasket, end stops, roller carriers, DORMOTION¹, DM start/stops¹, floor guide, sidelite profile and gasket, sidelite filler profile, sidelite endcaps, U-Channel and gasket, and sidelite mounting hardware. (Sidelite view profile included if appropriate.)

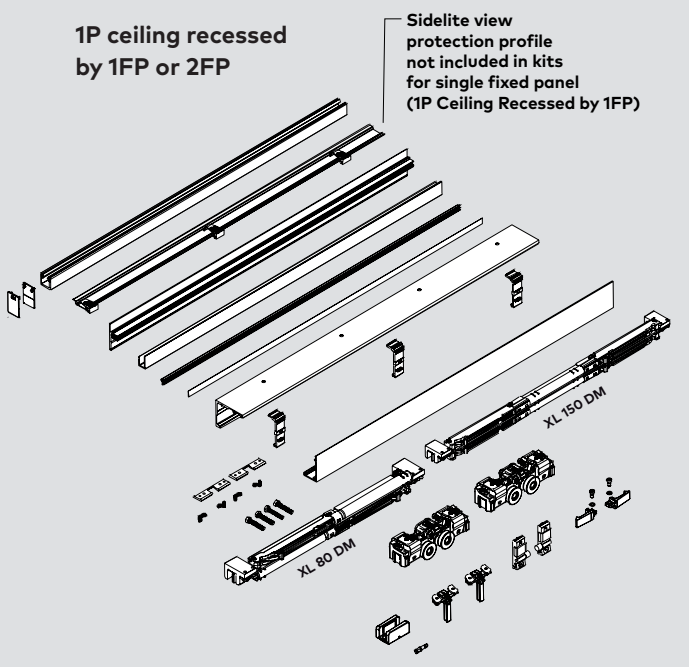
Complete accessories for 5/16"–9/16" (8–13.5) thick glass.

XL 150 DM / XL 150 max 330 lb (150 kg).

XL 80 DM max 176 lb (80 kg).

¹XL 150 set does not include DORMOTION or DM start/stops.

1P ceiling recessed by 1FP – Set for ceiling recessed installation with one sliding panel and one fixed panel.



	Min panel width	Min clear opening width	Max panel width ²	Max clear opening width ²	Max track length ²	Ref. No.
--	-----------------	-------------------------	------------------------------	--------------------------------------	-------------------------------	----------

1P XL 150 DM CE-R 1FP

MTO	40-3/16" (1020)	37-13/16" (960)	57" (1448)	54-5/8" (1388)	157-1/2" (4000)	236.595
-----	--------------------	--------------------	---------------	-------------------	--------------------	----------------

1P XL 150 CE-R 1FP

MTO	26" (660)	23-5/8" (600)	57" (1448)	54-5/8" (1388)	157-1/2" (4000)	236.594
-----	--------------	------------------	---------------	-------------------	--------------------	----------------

1P XL 80 DM CE-R 1FP

MTO	31-7/8" (810)	29-1/2" (750)	57" (1448)	54-5/8" (1388)	157-1/2" (4000)	236.582
-----	------------------	------------------	---------------	-------------------	--------------------	----------------

1P ceiling recessed by 2FP – Set for ceiling recessed installation with one sliding panel and two fixed panels.

	Min panel width	Min clear opening width	Max panel width ²	Max clear opening width ²	Max track length ²	Ref. No.
--	-----------------	-------------------------	------------------------------	--------------------------------------	-------------------------------	----------

1P XL 150 DM CE-R 2FP

MTO	40-3/16" (1020)	37-13/16" (960)	57" (1448)	54-5/8" (1388)	157-1/2" (4000)	236.597
-----	--------------------	--------------------	---------------	-------------------	--------------------	----------------

1P XL 150 CE-R 2FP

MTO	26" (660)	23-5/8" (600)	57" (1448)	54-3/8" (1381)	157-1/2" (4000)	236.596
-----	--------------	------------------	---------------	-------------------	--------------------	----------------

1P XL 80 DM CE-R 2FP

MTO	31-7/8" (810)	29-1/2" (750)	57" (1448)	54-3/8" (1381)	157-1/2" (4000)	236.584
-----	------------------	------------------	---------------	-------------------	--------------------	----------------

2P ceiling recessed by 2FP – Set for ceiling recessed installation with two sliding panels and two fixed panels.

	Min panel width	Min clear opening width	Max panel width ²	Max clear opening width ²	Max track length ²	Ref. No.
--	-----------------	-------------------------	------------------------------	--------------------------------------	-------------------------------	----------

2P XL 150 DM CE-R 2FP

MTO	40-3/16" (1020)	78-3/16" (1986)	57" (1448)	111-7/8" (2842)	157-1/2" (4000)	236.599
-----	--------------------	--------------------	---------------	--------------------	--------------------	----------------

2P XL 150 CE-R 2FP

MTO	26" (660)	49-13/16" (1266)	57" (1448)	111-7/8" (2842)	157-1/2" (4000)	236.598
-----	--------------	---------------------	---------------	--------------------	--------------------	----------------

2P XL 80 DM CE-R 2FP

MTO	31-7/8" (810)	59-1/4" (1505)	57" (1448)	111-7/8" (2842)	157-1/2" (4000)	236.586
-----	------------------	-------------------	---------------	--------------------	--------------------	----------------

Note: Refer to Component parts section for wood door adapter options.

² For 157-1/2" track lengths, only 154" are useable. Max wood door sizes can be increased by 3" (76), MTO only.

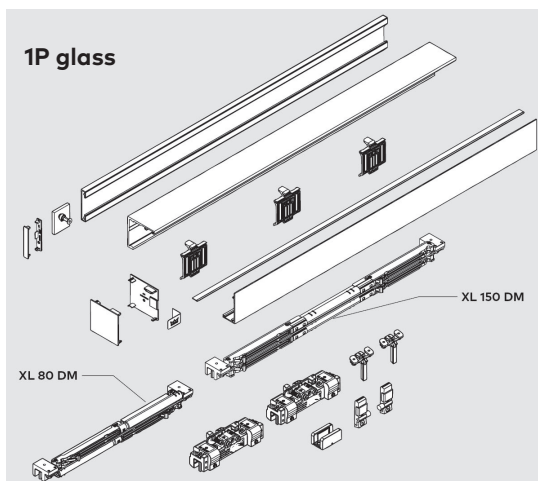
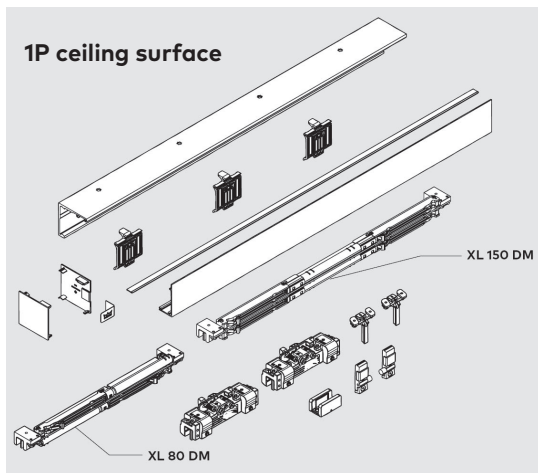
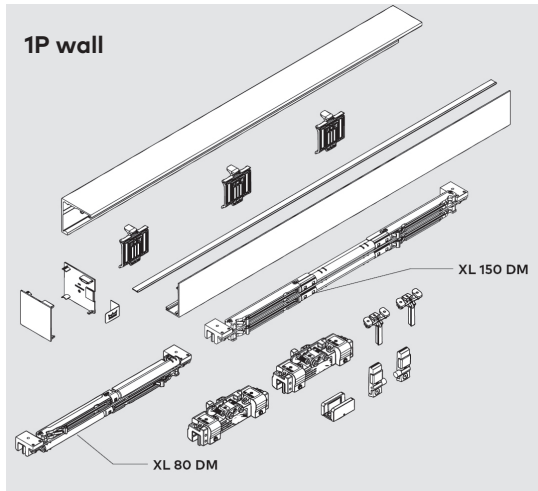
Premium XL 150 DM / XL 150 / XL 80 DM

Sliding door sets with one sliding panel

Incl. track/endcaps, cover, cover clips, gasket, end stops, roller carriers, DORMOTION¹, DM start/stops¹, and floor guide.
Complete accessories for 5/16"–9/16" (8–13.5) thick glass.

XL 150 DM / XL 150 max 330 lb (150 kg).
XL 80 DM max 176 lb (80 kg).

¹XL 150 set does not include DORMOTION or DM start/stops.



Note: Refer to Component parts section for wood door adapter options.

1P wall installation – Set for wall installation with one sliding panel.

	Min panel width	Min clear opening width	Max panel width ²	Max clear opening width ²	Max track length ²	Ref. No.
1P XL 150 DM W						
STK	40-3/16" (1020)	37-13/16" (960)	56-11/16" (1440)	54-5/16" (1380)	113-3/8" (2880)	836.510
MTO	40-3/16" (1020)	37-13/16" (960)	57" (1448)	54-5/8" (1388)	157-1/2" (4000)	836.521
1P XL 150 W						
STK	26" (660)	23-5/8" (600)	56-11/16" (1440)	54-5/16" (1380)	113-3/8" (2880)	236.510
MTO	26" (660)	23-5/8" (600)	57" (1448)	54-5/8" (1388)	157-1/2" (4000)	236.521
1P XL 80 DM W						
STK	31-7/8" (810)	29-1/2" (750)	56-11/16" (1440)	54-5/16" (1380)	113-3/8" (2880)	836.502
MTO	31-7/8" (810)	29-1/2" (750)	57" (1448)	54-5/8" (1388)	157-1/2" (4000)	836.520

1P ceiling surface installation – Set for ceiling surface installation with one sliding panel.

	Min panel width	Min clear opening width	Max panel width ²	Max clear opening width ²	Max track length ²	Ref. No.
1P XL 150 DM CE-S						
STK	40-3/16" (1020)	37-13/16" (960)	56-11/16" (1440)	54-5/16" (1380)	113-3/8" (2880)	836.512
MTO	40-3/16" (1020)	37-13/16" (960)	57" (1448)	54-5/8" (1388)	157-1/2" (4000)	836.523
1P XL 150 CE-S						
STK	26" (660)	23-5/8" (600)	56-11/16" (1440)	54-5/16" (1380)	113-3/8" (2880)	236.512
MTO	26" (660)	23-5/8" (600)	57" (1448)	54-5/8" (1388)	157-1/2" (4000)	236.523
1P XL 80 DM CE-S						
STK	31-7/8" (810)	29-1/2" (750)	56-11/16" (1440)	54-5/16" (1380)	113-3/8" (2880)	836.505
MTO	31-7/8" (810)	29-1/2" (750)	57" (1448)	54-5/8" (1388)	157-1/2" (4000)	836.522

1P glass installation – Set for glass installation with one sliding panel.

	Min panel width	Min clear opening width	Max panel width ²	Max clear opening width ²	Max track length ²	Ref. No.
1P XL 150 DM G						
MTO	40-3/16" (1020)	37-13/16" (960)	57" (1448)	54-5/8" (1388)	157-1/2" (4000)	836.525
1P XL 80 DM G						
MTO	31-7/8" (810)	29-1/2" (750)	57" (1448)	54-5/8" (1388)	157-1/2" (4000)	836.524

² For 157-1/2" track lengths, only 154" are useable.
Max wood door sizes can be increased by 3" (76), MTO only.

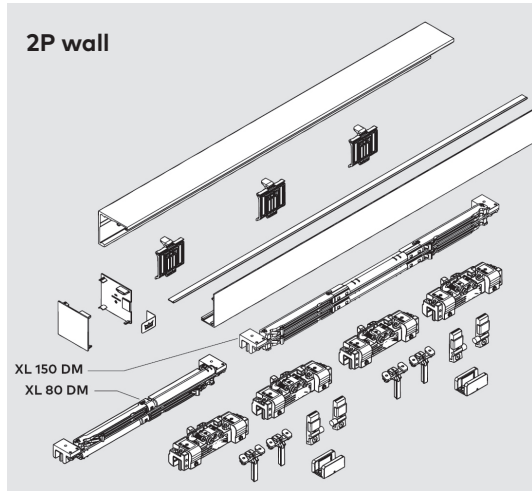
Premium XL 150 DM / XL 150 / XL 80 DM

Sliding door sets with two sliding panels

Incl. track/endcaps, cover, cover clips, gasket, end stops, roller carriers, DORMOTION¹, DM start/stops¹, and floor guide.
 Complete accessories for 5/16"–9/16" (8–13.5) thick glass.

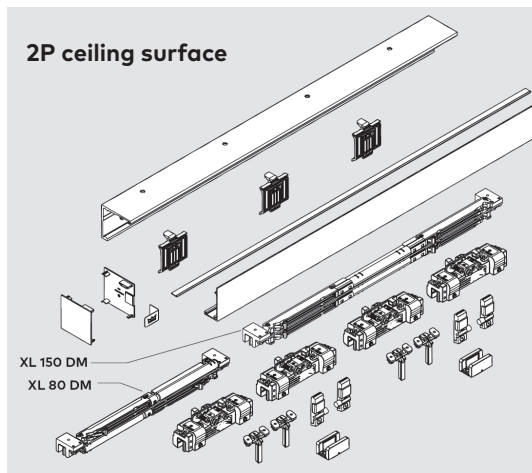
XL 150 DM / XL 150 max 330 lb (150 kg).
 XL 80 DM max 176 lb (80 kg).

¹XL 150 set does not include DORMOTION or DM start/stops.



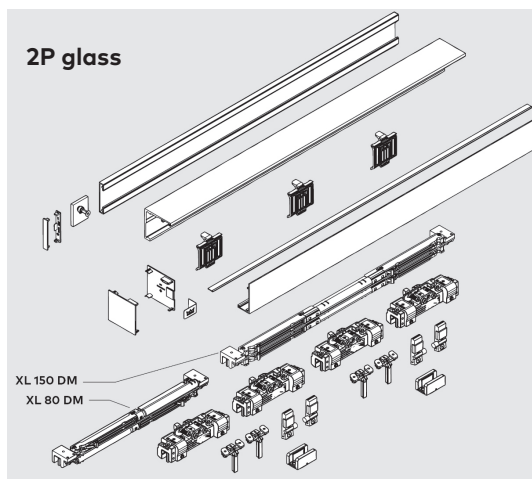
2P wall installation – Set for wall installation with two sliding panels.

	Min panel width	Min clear opening width	Max panel width ²	Max clear opening width ²	Max track length ²	Ref. No.
2P XL 150 DM W						
MTO	40-3/16" (1020)	78-3/16" (1986)	57" (1448)	111-7/8" (2842)	157-1/2" (4000)	836.527
2P XL 150 W						
MTO	26" (660)	49-13/16" (1266)	57" (1448)	111-7/8" (2842)	157-1/2" (4000)	236.527
2P XL 80 DM W						
MTO	31-7/8" (810)	61-5/8" (1566)	57" (1448)	111-7/8" (2842)	157-1/2" (4000)	836.526



2P ceiling surface installation – Set for ceiling surface installation with two sliding panels.

	Min panel width	Min clear opening width	Max panel width ²	Max clear opening width ²	Max track length ²	Ref. No.
2P XL 150 DM CE-S						
MTO	40-3/16" (1020)	78-3/16" (1986)	57" (1448)	111-7/8" (2842)	157-1/2" (4000)	836.529
2P XL 150 CE-S						
MTO	26" (660)	49-13/16" (1266)	57" (1448)	111-7/8" (2842)	157-1/2" (4000)	236.529
2P XL 80 DM CE-S						
MTO	31-7/8" (810)	61-5/8" (1566)	57" (1448)	111-7/8" (2842)	157-1/2" (4000)	836.528



2P glass installation – Set for glass installation with two sliding panels.

	Min panel width	Min clear opening width	Max panel width ²	Max clear opening width ²	Max track length ²	Ref. No.
2P XL 150 DM G						
MTO	40-3/16" (1020)	78-3/16" (1986)	57" (1448)	111-7/8" (2842)	157-1/2" (4000)	836.531
2P XL 80 DM G						
MTO	31-7/8" (810)	61-5/8" (1566)	57" (1448)	111-7/8" (2842)	157-1/2" (4000)	836.530

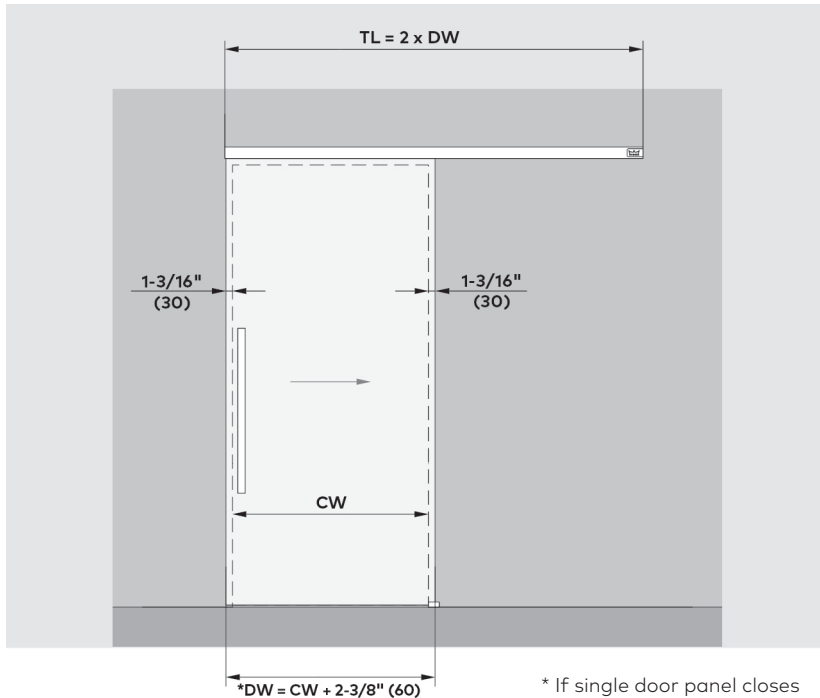
² For 157-1/2" track lengths, only 154" are useable.
 Max wood door sizes can be increased by 3" (76), MTO only.

Note: Refer to Component parts section for wood door adapter options.

Premium XL 120 Self-Closing (SC)

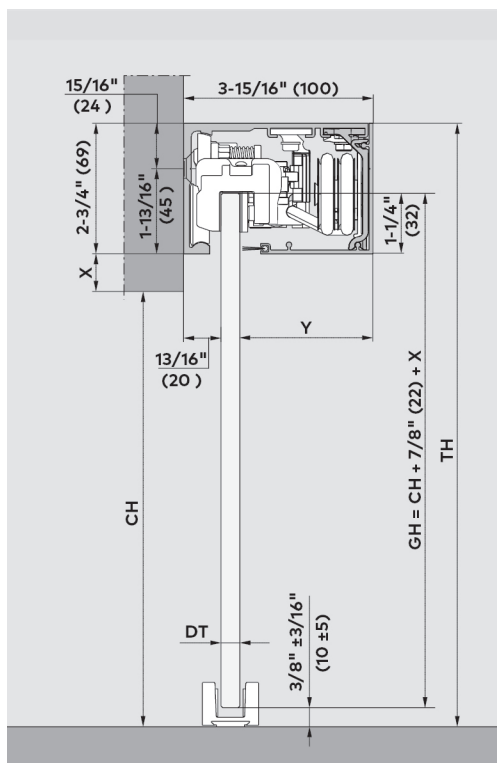
Typical assemblies mounted to wall

Note: XL 120 SC includes DORMOTION standard in the closing cycle, optional (DMSC) for opening cycle.



* If single door panel closes against jamb or only overlaps on one side, subtract 1-3/16" (30) from formula.

Mounted to wall (W)



Features and data

For installation with one or two sliding door panels mounted to wall; for 5/16"–9/16" (8 –13.5) thick glass

Max. weight of door panels

264 lb (120 kg)

Calculation of glass height

$GH = CH + 7/8" (22) + X$
(see drawing)
max 118-1/8" (3000)

Calculation of glass width

$DW = CW + 2-3/8" (60)$

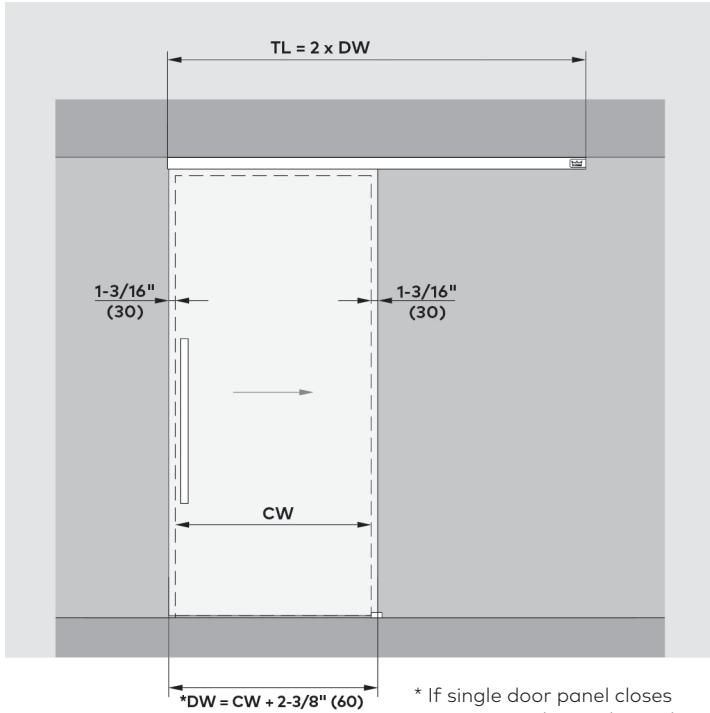
	XL 120 SC
min DW	33-1/2" (850)
max DW	57" (1448)
max 2P DW	2 × 57" (1448)

- DW** = Glass width
- TL** = Track length
- GH** = Glass height
- TH** = Total height
- CH** = Clear opening height
- CW** = Clear opening width
- DT** = Door (glass) thickness
- Y** = 3-15/16" (100) – 13/16" (20) – DT
- X** = Bottom of track channel to top of clear opening

Premium XL 120 Self-Closing (SC)

Typical assemblies mounted to ceiling

Note: XL 120 SC includes DORMOTION standard in the closing cycle, optional (DMSC) for opening cycle.



* If single door panel closes against jamb or only overlaps on one side, subtract 1-3/16" (30) from formula.

Features and data

For installation with one or two sliding door panels mounted to ceiling; for 5/16"-9/16" (8 -13.5) thick glass

Max. weight of door panels

264 lb (120 kg)

Calculation of glass height (CE-S)

$$GH = TH - 1-7/8" (47)$$

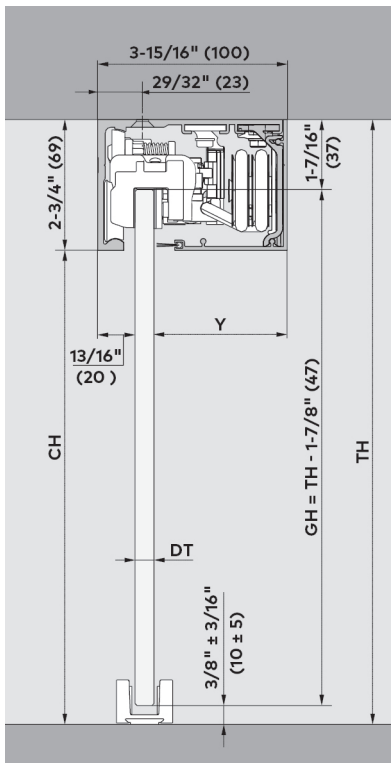
max 118-1/8" (3000)

Calculation of glass width

$$DW = CW + 2-3/8" (60)$$

XL 120 SC	
min DW	33-1/2" (850)
max DW	57" (1448)
max 2P DW	2 x 57" (1448)

Mounted to ceiling (CE-S)



- DW** = Glass width
- TL** = Track length
- GH** = Glass height
- TH** = Total height
- CH** = Clear opening height
- CW** = Clear opening width
- DT** = Door (glass) thickness
- Y** = 3-15/16" (100) - 13/16" (20) - DT

Premium XL 120 Self-Closing (SC)

Typical assemblies mounted to or in ceiling with one sliding panel and fixed panel on one side

Note: XL 120 SC includes DORMOTION standard in the closing cycle, optional (DMSC) for opening cycle.

Features and data

For installation with one sliding door panel and one fixed panel, mounted to ceiling or in ceiling; for 5/16"–9/16" (8 –13.5) thick glass.

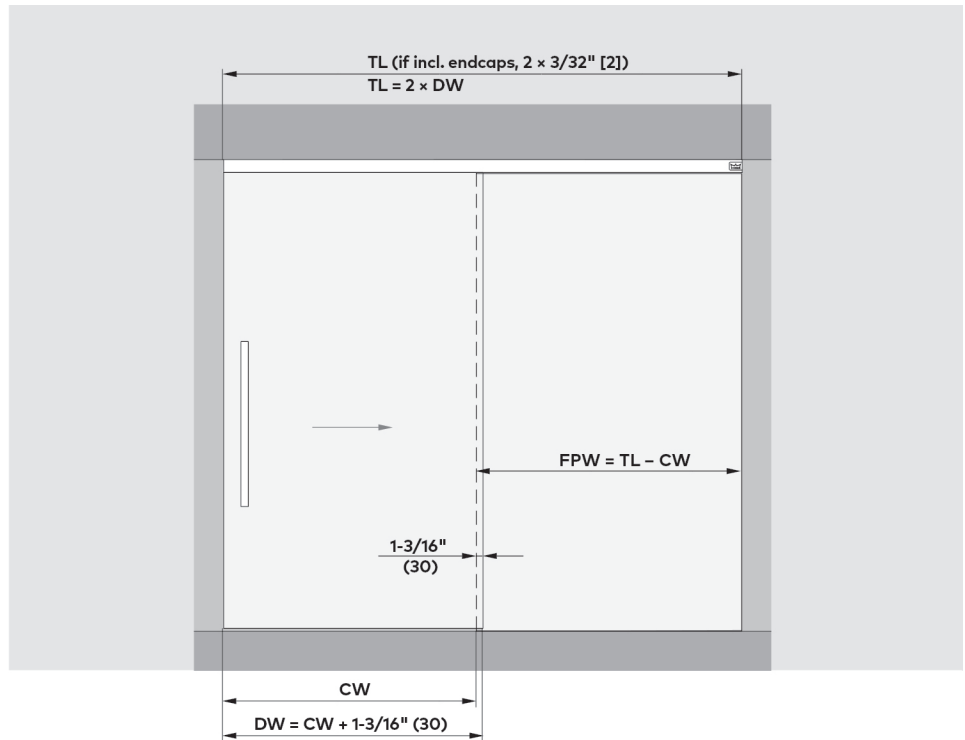
Max. weight of door panels

264 lb (120 kg)

Calculation of glass width

$DW = CW + 1-3/16" (30)$

XL 120 SC	
min DW	33-1/2" (850)
max DW	57" (1448)



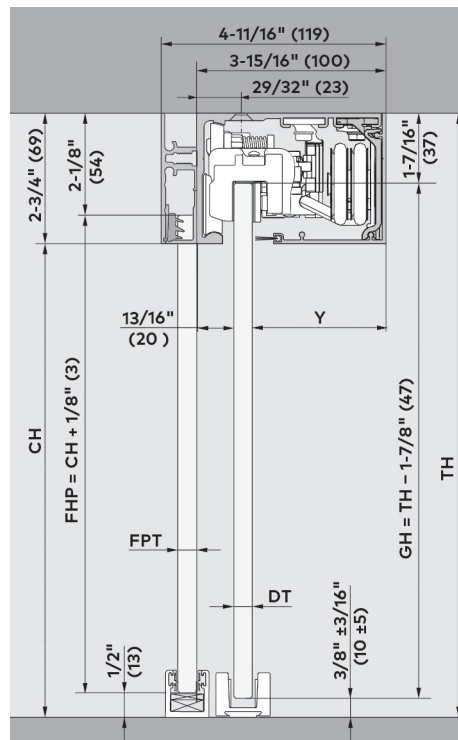
Calculation of glass height (CE-S/CE-R)

$GH = TH - 1-7/8" (47)$

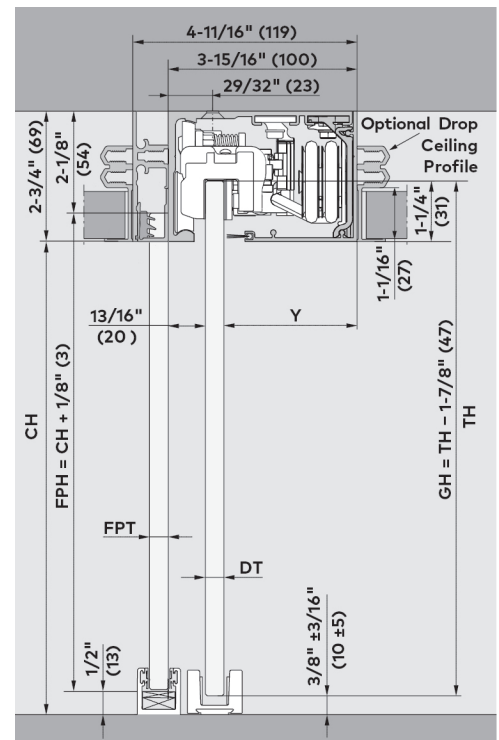
$FPH = CH + 1/8" (3)$

max 118-1/8" (3000)

Mounted to ceiling (CE-S)



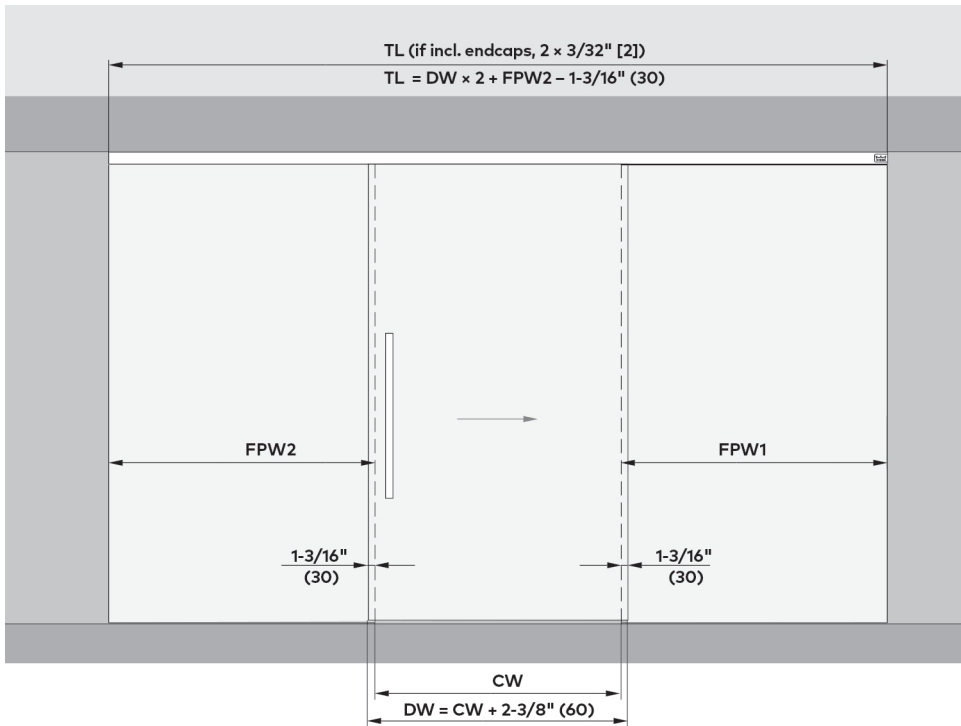
Mounted in ceiling (CE-R)



- DW** = Glass width
- TL** = Track length
- GH** = Glass height sliding door
- FPH** = Fixed panel (sidelite) height
- TH** = Total height
- CH** = Clear opening height
- CW** = Clear opening width
- FPW** = Fixed panel (sidelite) width
- DT** = Door (glass) thickness
- FPT** = Fixed panel (glass) thickness
- Y** = $3-15/16" (100) - 13/16" (20) - DT$

Premium XL 120 Self-Closing (SC)

Typical assemblies mounted to or in ceiling with one sliding panel and fixed panels on both sides



Note: XL 120 SC includes DORMOTION standard in the closing cycle, optional (DMSC) for opening cycle.

Features and data

For installation with one sliding door panel and fixed panels on both sides, mounted to ceiling or in drop ceiling; for 5/16"–9/16" (8–13.5) thick glass.

Max. weight of door panels

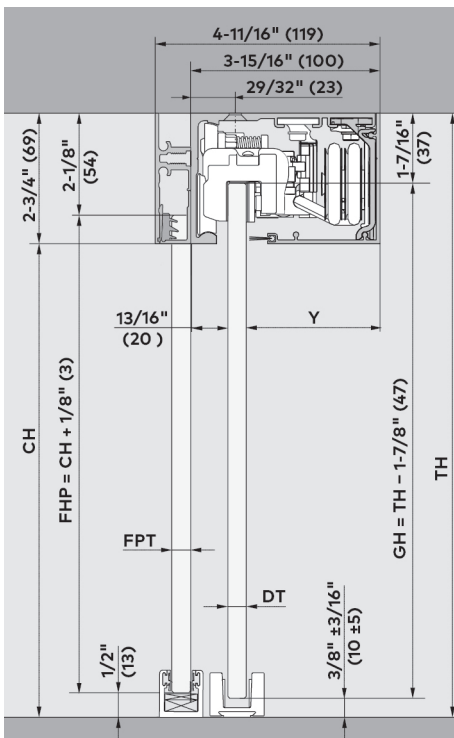
264 lb (120 kg)

Calculation of glass width

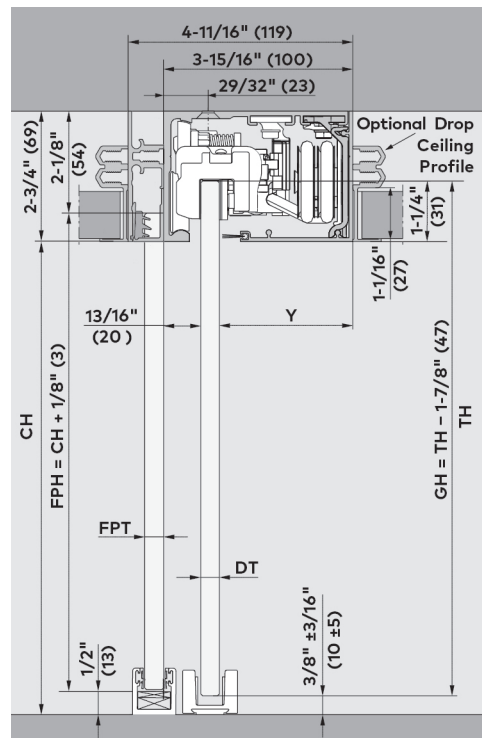
$DW = CW + 2-3/8" (60)$

XL 120 SC	
min DW	33-1/2" (850)
max DW	57" (1448)

Mounted to ceiling (CE-S)



Mounted in ceiling (CE-R)



Calculation of glass height (CE-S/CE-R)

$GH = TH - 1-7/8" (47)$

$FHP = CH + 1/8" (3)$

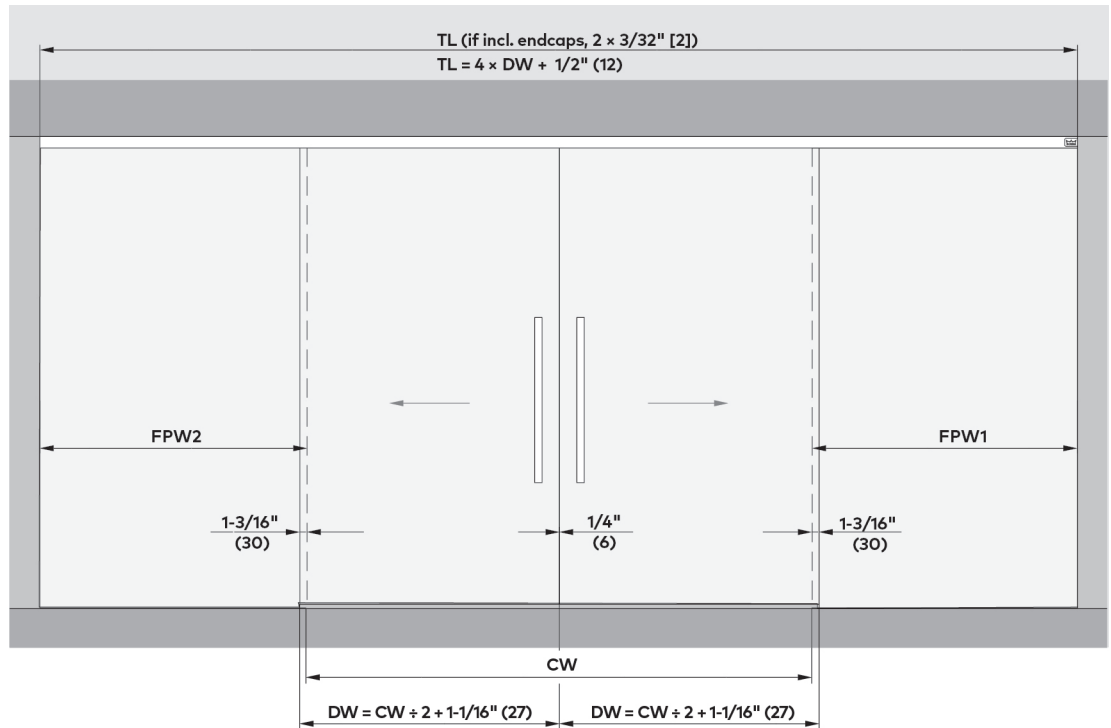
max 118-1/8" (3000)

- DW** = Glass width
- TL** = Track length
- GH** = Glass height sliding door
- FPH** = Fixed panel (sidelite) height
- TH** = Total height
- CH** = Clear opening height
- CW** = Clear opening width
- FPW1** = Fixed panel (sidelite) width 1
- FPW2** = Fixed panel (sidelite) width 2
- DT** = Door (glass) thickness
- FPT** = Fixed panel (glass) thickness
- Y** = $3-15/16" (100) - 13/16" (20) - DT$

Premium XL 120 Self-Closing (SC)

Typical assemblies mounted to or in ceiling with two sliding panels with fixed panels on both sides

Note: XL 120 SC includes DORMOTION standard in the closing cycle, optional (DMSC) for opening cycle.



Features and data

For installation with two sliding door panels with fixed panels on each side, mounted to ceiling or in ceiling; for 5/16"–9/16" (8–13.5) thick glass

Max. weight of door panels

264 lb (120 kg)

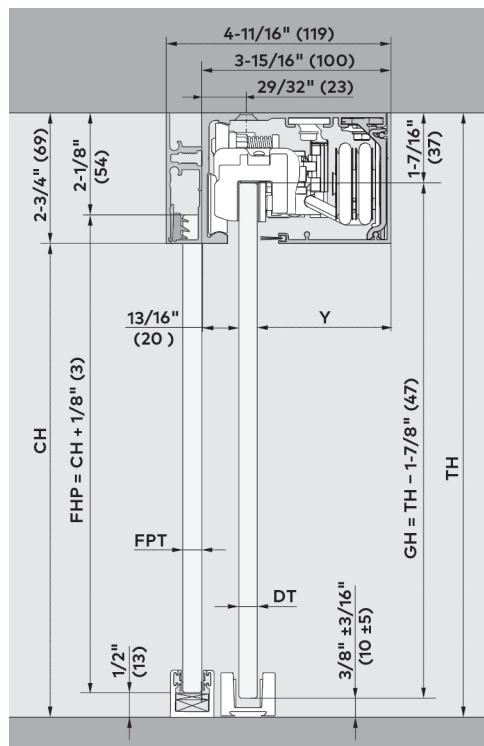
Calculation of glass width

$$DW = CW \div 2 + 1-1/16" (27)$$

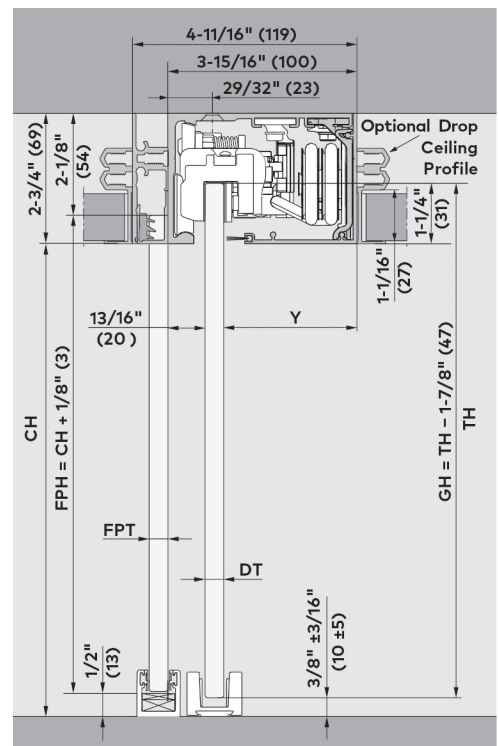
XL 120 SC	
min 2P DW	2 × 33-1/2" (850)
max 2P DW	2 × 57" (1448)

- DW** = Glass width
- TL** = Track length
- GH** = Glass height sliding door
- FPH** = Fixed panel (sidelite) height
- TH** = Total height
- CH** = Clear opening height
- CW** = Clear opening width
- FPW1** = Fixed panel (sidelite) width 1
- FPW2** = Fixed panel (sidelite) width 2
- DT** = Door (glass) thickness
- FPT** = Fixed panel (glass) thickness
- Y** = 3-15/16" (100) – 13/16" (20) – DT

Mounted to ceiling (CE-S)



Mounted in drop ceiling (CE-R)



Calculation of glass height (CE-S/CE-R)

$$GH = TH - 1-7/8" (47)$$

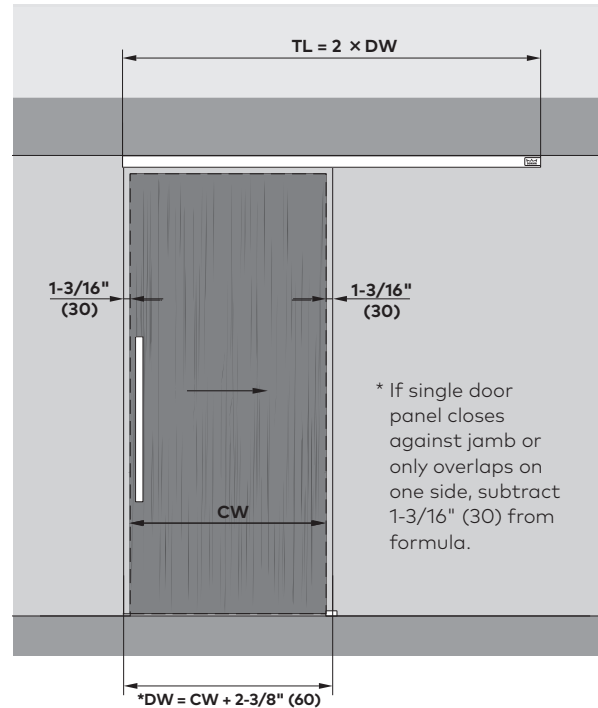
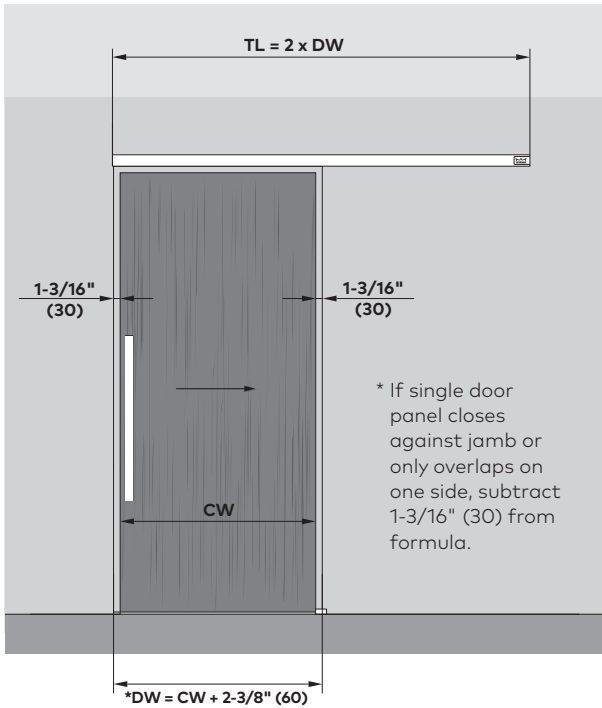
$$FPH = CH + 1/8" (3)$$

$$\text{max } 118-1/8" (3000)$$

Premium XL 120 Self-Closing (SC)

Typical assemblies for wood doors

Note: XL 120 SC includes DORMOTION standard in the closing cycle, optional (DMSC) for opening cycle.



Features and data

For installations with wood doors; mounted to wall or ceiling; for $1-1/8" - 1-31/32" (28 - 50)$ thick wood doors

Max. weight of door panels

264 lb (120 kg)

Calculation of door height

$DH = CH - 3/4" (18) + X$ (wall)
 $DH = TH - 3-7/16" (87)$ (ceiling)
 max 118-1/8" (3000)

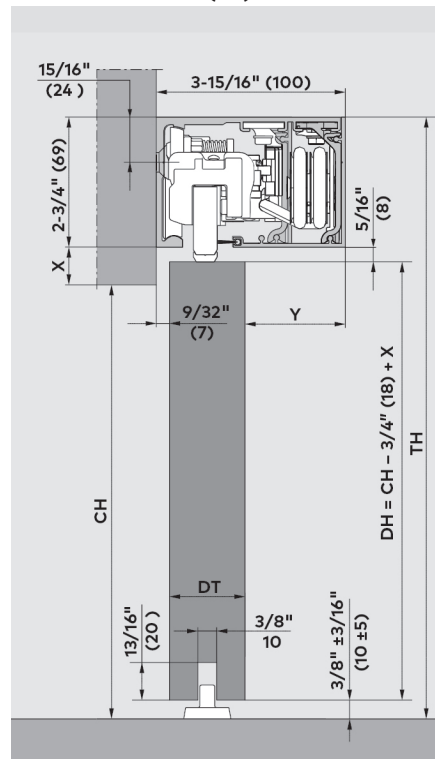
Calculation of door width

$DW = CW + 2 \times 3/8" (60)$

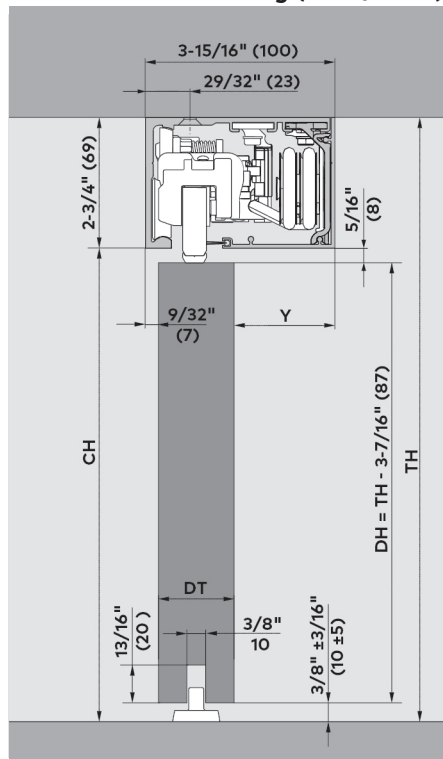
XL 120 SC	
min DW	33-1/2" (850)
max DW	60" (1524)
max 2P DW	2 x 60" (1524)

- DW = Door width
- TL = Track length
- TH = Total height
- CH = Clear opening height
- CW = Clear opening width
- DH = Door height
- DT = Door (wood) thickness
- Y = $3-15/16" (100) - 5/16" (7) - DT$
- X = Bottom of track channel to top of clear opening

Mounted to wall (W)



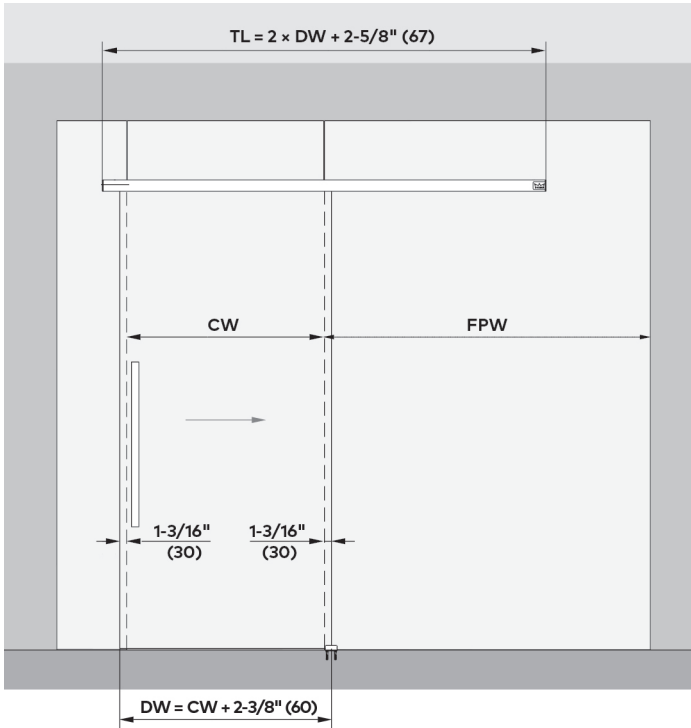
Mounted to or in ceiling (CE-S/CE-R)



Premium XL 120 Self-Closing (SC)

Typical assemblies mounted on glass with one sliding panel

Note: XL 120 SC includes DORMOTION standard in the closing cycle, optional (DMSC) for opening cycle.



Features and data

For installation with one sliding panel mounted on glass; for 5/16"–9/16" (8–13.5) thick glass

Max. weight of door panels

264 lb (120 kg)

Calculation of glass height

$$GH = CH + 7/8" (22)$$

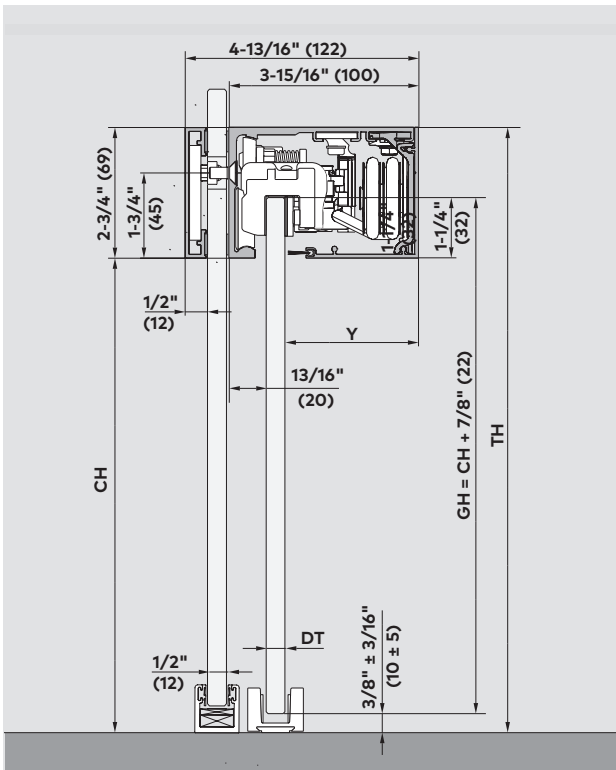
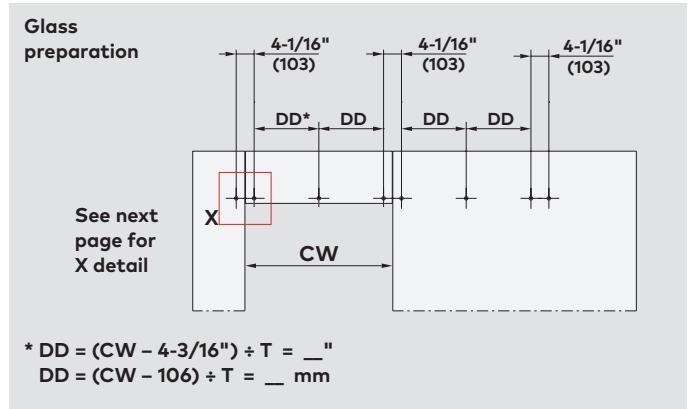
max 118-1/8" (3000)

Calculation of glass width

$$DW = CW + 2-3/8" (60)$$

	XL 120 SC
min DW	33-1/2" (850)
min CW	31-1/8" (790)
max DW	57" (1448)
max CW	54-5/8" (1388)

Note: To ensure a correct and aligned mounting of the track rail, a full supporting fixed panel must be installed.



Calculation example

$$DD = (35-7/16" - 4-3/16") \div 3 = 10-7/16"$$

$$DD = (900 - 106) \div 3 = 265$$

T = Formula Value

Z = Quantity of holes to drill

	T	Z
$CW \geq 23-5/8" (600)$ $\leq 31-1/2" (800)$	2	8
$CW > 31-1/2" (800)$ $\leq 39-3/8" (1000)$	3	10
$CW > 39-3/8" (1000)$ $\leq 47-1/4" (1200)$	4	12
$CW > 47-1/4" (1200)$ $\leq 54-5/8" (1388)$	5	14

The total quantity of holes (Z) depends on clear opening width (CW) and determines the final drilling distance (DD).

- Use the equation to determine (DD) drilling distance (hole spacing) at defined (DD) locations.
- Provide (CW) clear opening width to determine value for (T).
- Insert value for (T) to formula equation to calculate (DD) drilling distance.

Note: XL 120 SC includes DORMOTION standard in the closing cycle, optional (DMSC) for opening cycle.

Premium XL 120 Self-Closing (SC)

Typical assemblies mounted on glass with two sliding panels

Features and data

For installation with two sliding panels mounted on glass; for 5/16"–9/16" (8 –13.5) thick glass

Max. weight of door panels

264 lb (120 kg)

Calculation of glass height

$$GH = CH + 7/8" (22)$$

max 118-1/8" (3000)

Calculation of glass width

$$DW = CW \div 2 + 1-1/16" (27)$$

XL 120 SC	
min DW	33-1/2" (850)
min CW	64-13/16" (1646)
max DW	57" (1448)
max 2P DW	2 × 57" (1448)
max CW	111-7/8" (2842)

	T	Z
CW ≥ 47-1/4" (1200)	4	14
≤ 59-1/16" (1500)		
CW > 59-1/16" (1500)	6	18
≤ 78-3/4" (2000)		
CW > 78-3/4" (2000)	8	22
≤ 111-7/8" (2842)		

Calculation example

$$DD = (55-1/8" - 4-3/16" - 6-11/16") \div 4 = 11-1/16"$$

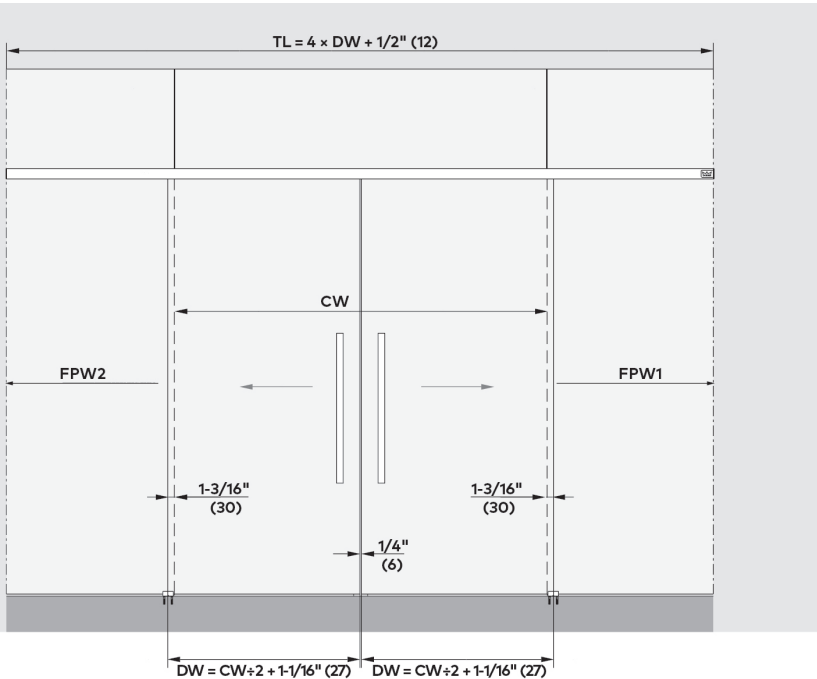
$$DD = (1400 - 106 - 170) \div 4 = 281$$

T = Formula Value

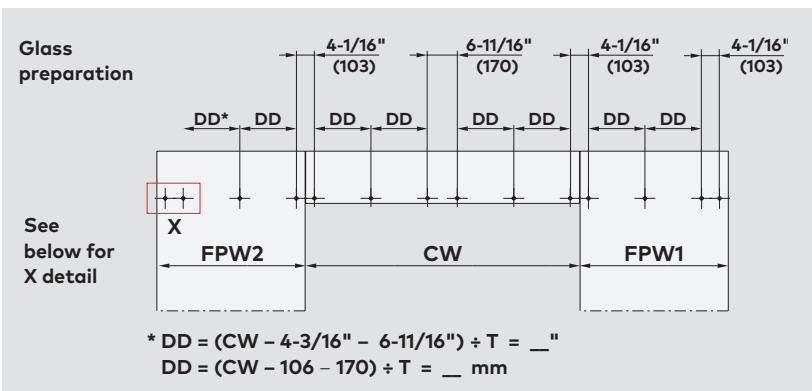
Z = Quantity of holes to drill

The total quantity of holes (Z) depends on clear opening width (CW) and determines the final drilling distance (DD).

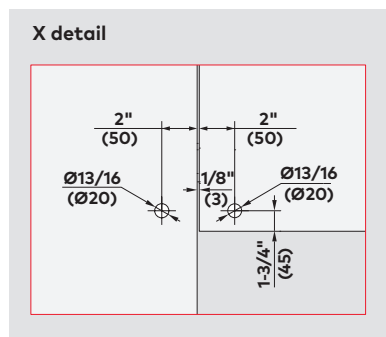
- Use the equation to determine (DD) drilling distance (hole spacing) at defined (DD) locations.
- Provide (CW) clear opening width to determine value for (T).
- Insert value for (T) to formula equation to calculate (DD) drilling distance.



Refer to Elevation drawing on previous page.



- DW** = Glass width
- Z** = Quantity of drillings
- TL** = Track length
- DD** = Drilling distance
- TH** = Total height
- CH** = Clear opening height
- CW** = Clear opening width
- GH** = Door height
- FPW** = Fixed panel (glass) width
- T** = Formula value to determine DD
- DT** = Door (glass) thickness
- FPT** = Fixed panel (sidelite) thickness 3/8" – 3/4" (10 – 19)
- Y** = 3-15/16" (100) – 13/16" (20) – DT

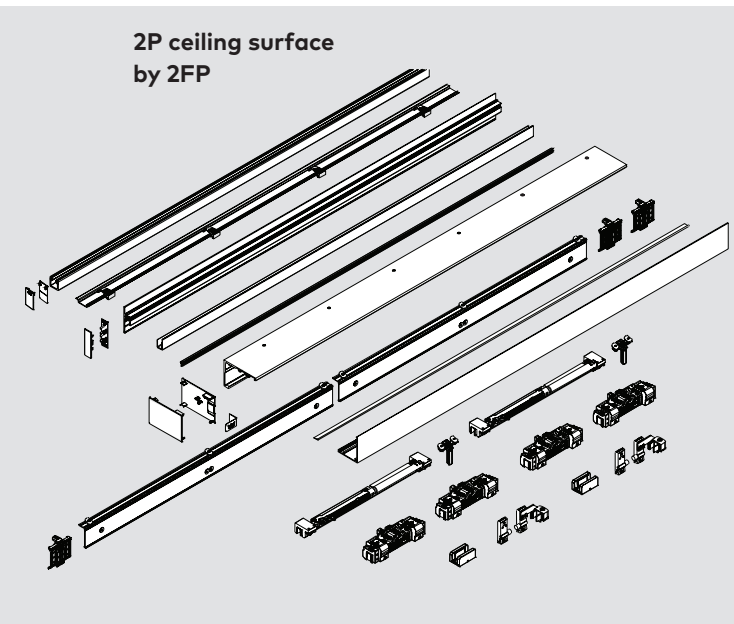
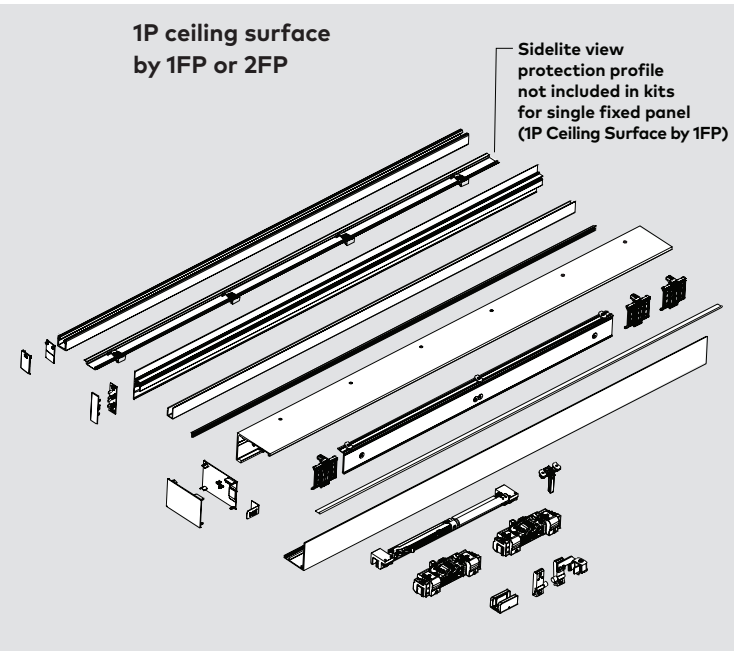


Premium XL 120 Self-Closing (SC)

Sliding door sets with one sliding panel and one or two fixed panels, ceiling surface installation

Incl. track/endcaps, cover, cover clips, gasket, end stops, roller carriers, DORMOTION, DM start/stops, floor guide, sidelite profile and gasket, sidelite filler profile, sidelite endcaps, U-Channel and gasket, and sidelite mounting hardware. (Sidelite view profile included if appropriate.) Complete accessories for 5/16"–9/16" (8–13.5) thick glass.

XL 120 DM max 264 lb (120 kg).



Note: Refer to Component parts section for wood door adapter options.

1P ceiling surface by 1FP – Set for ceiling surface installation with one sliding panel and one fixed panel.

	Min panel width	Min clear opening width	Max panel width ¹	Max clear opening width ¹	Max track length ¹	Ref. No.
1P XL 120 SC CE-S 1FP						
MTO	33-1/2" (850)	31-1/8" (790)	57" (1448)	54-5/8" (1388)	157-1/2" (4000)	RH 236.690 LH 236.692

1P ceiling surface by 2FP – Set for ceiling surface installation with one sliding panel and two fixed panels.

	Min panel width	Min clear opening width	Max panel width ¹	Max clear opening width ¹	Max track length ¹	Ref. No.
1P XL 120 SC CE-S 2FP						
MTO	33-1/2" (850)	31-1/8" (790)	57" (1448)	54-5/8" (1388)	157-1/2" (4000)	RH 236.694 LH 236.696

2P ceiling surface by 2FP – Set for ceiling surface installation with two sliding panels and two fixed panels.

	Min panel width	Min clear opening width	Max panel width ¹	Max clear opening width ¹	Max track length ¹	Ref. No.
2P XL 120 SC CE-S 2FP						
MTO	33-1/2" (850)	64-13/16" (1646)	57" (1448)	111-7/8" (2842)	157-1/2" (4000)	236.698

¹ For 157-1/2" track lengths, only 154" are useable. Max wood door sizes can be increased by 3" (76), MTO only.

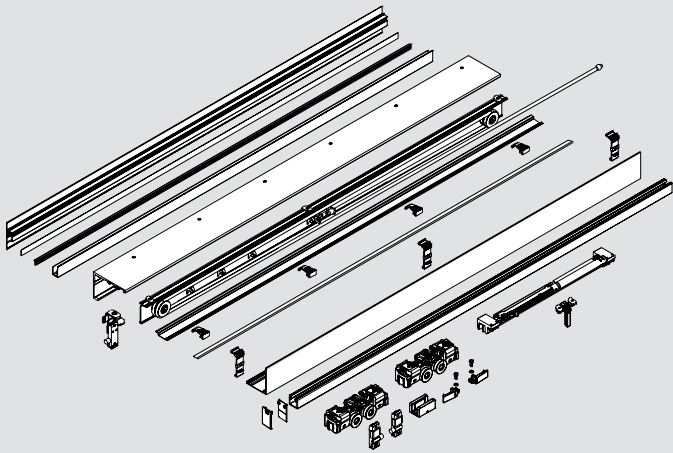
Premium XL 120 Self-Closing (SC)

Sliding door sets with one sliding panel and one or two fixed panels, ceiling recessed installation

Incl. track/endcaps, cover, cover clips, gasket, end stops, roller carriers, DORMOTION, DM start/stops, floor guide, sidelite profile and gasket, sidelite filler profile, sidelite endcaps, U-Channel and gasket, and sidelite mounting hardware. (Sidelite view profile included if appropriate.) Complete accessories for 5/16"–9/16" (8 –13.5) thick glass.

XL 120 DM max 264 lb (120 kg).

1P ceiling recessed by 1FP or 2FP



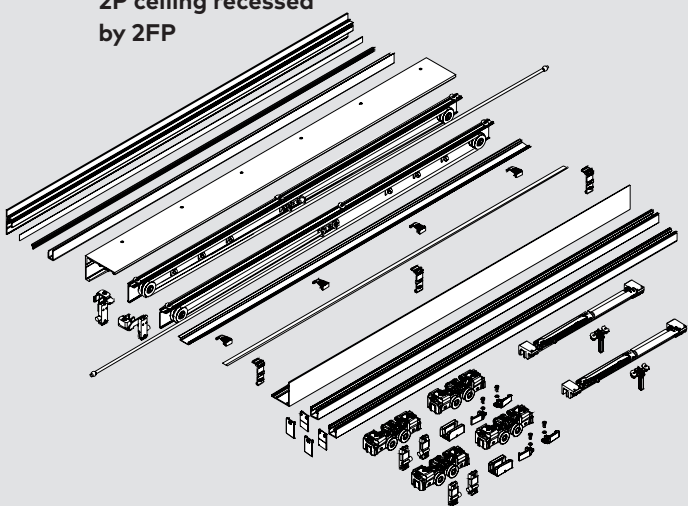
1P ceiling recessed by 1FP – Set for ceiling recessed installation with one sliding panel and one fixed panel.

	Min panel width	Min clear opening width	Max panel width ¹	Max clear opening width ¹	Max track length ¹	Ref. No.
1P XL 120 SC CE-R 1FP						
MTO	33-1/2" (850)	31-1/8" (790)	57" (1448)	54-5/8" (1388)	157-1/2" (4000)	RH 236.691 LH 236.693

1P ceiling recessed by 2FP – Set for ceiling recessed installation with one sliding panel and two fixed panels.

	Min panel width	Min clear opening width	Max panel width ¹	Max clear opening width ¹	Max track length ¹	Ref. No.
1P XL 120 SC CE-R 2FP						
MTO	33-1/2" (850)	31-1/8" (790)	57" (1448)	54-5/8" (1388)	157-1/2" (4000)	RH 236.695 LH 236.697

2P ceiling recessed by 2FP



2P ceiling recessed by 2FP – Set for ceiling recessed installation with two sliding panels and two fixed panels.

	Min panel width	Min clear opening width	Max panel width ¹	Max clear opening width ¹	Max track length ¹	Ref. No.
2P XL 120 SC CE-R 2FP						
MTO	33-1/2" (850)	64-13/16" (1646)	57" (1448)	111-7/8" (2842)	157-1/2" (4000)	236.699

¹ For 157-1/2" track lengths, only 154" are useable. Max wood door sizes can be increased by 3" (76), MTO only.

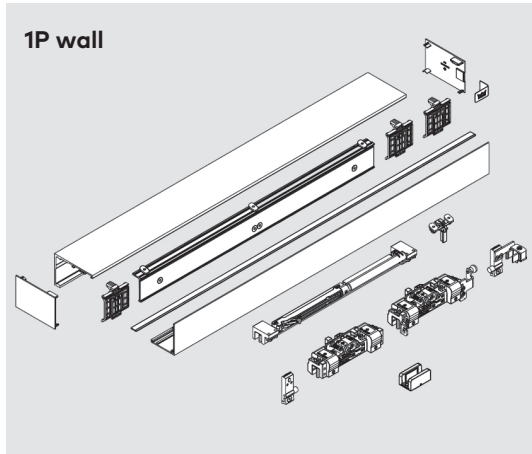
Note: Refer to Component parts section for wood door adapter options.

Premium XL 120 Self-Closing (SC)

Sliding door sets with one sliding panel

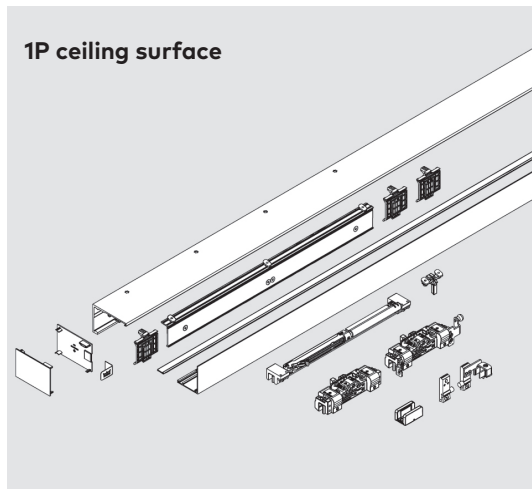
Incl. track/endcaps, cover, cover clips, gasket, end stops, roller carriers, DORMOTION, DM start/stops, and floor guide. Complete accessories for 5/16"–9/16" (8–13.5) thick glass.

XL 120 DM max 264 lb (120 kg).



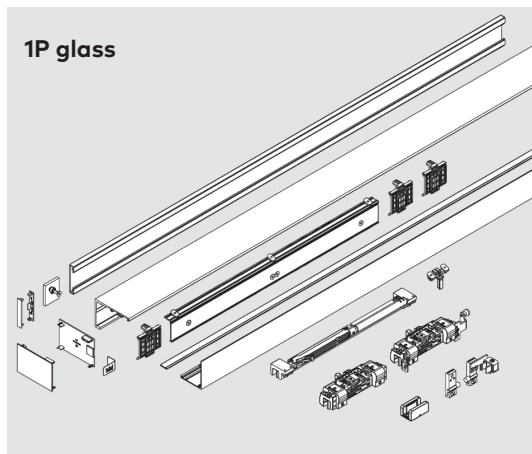
1P wall installation – Set for wall installation with one sliding panel.

	Min panel width	Min clear opening width	Max panel width ¹	Max clear opening width ¹	Max track length ¹		Ref. No.
1P XL 120 SC W							
STK	33-1/2" (850)	31-1/8" (790)	56-11/16" (1440)	54-5/16" (1380)	113-3/8" (2880)	RH	836.602
						LH	836.603
MTO	33-1/2" (850)	31-1/8" (791)	57" (1448)	54-5/8" (1388)	157-1/2" (4000)	RH	836.620
						LH	836.621



1P ceiling surface installation – Set for ceiling surface installation with one sliding panel.

	Min panel width	Min clear opening width	Max panel width ¹	Max clear opening width ¹	Max track length ¹		Ref. No.
1P XL 120 SC CE-S							
STK	33-1/2" (850)	31-1/8" (790)	56-11/16" (1440)	54-5/16" (1380)	113-3/8" (2880)	RH	836.606
						LH	836.607
MTO	33-1/2" (850)	31-1/8" (790)	57" (1448)	54-5/8" (1388)	157-1/2" (4000)	RH	836.622
						LH	836.623



1P glass installation – Set for glass installation with one sliding panel.

	Min panel width	Min clear opening width	Max panel width ¹	Max clear opening width ¹	Max track length ¹		Ref. No.
1P XL 120 SC G							
MTO	33-1/2" (850)	31-1/8" (790)	57" (1448)	54-5/8" (1388)	157-1/2" (4000)	RH	836.624
						LH	836.625

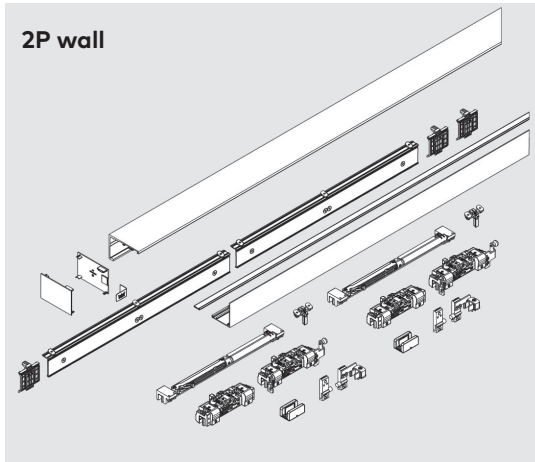
¹ For 157-1/2" track lengths, only 154" are useable. Max wood door sizes can be increased by 3" (76), MTO only.

Note: Refer to Component parts section for wood door adapter options.

Premium XL 120 Self-Closing (SC)

Sliding door sets with two sliding panels

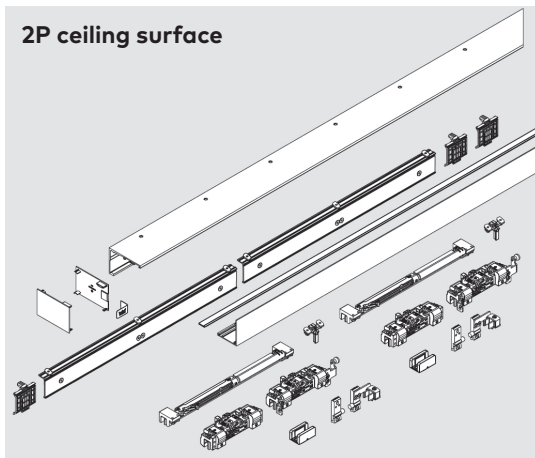
Incl. track/endcaps, cover, cover clips, gasket, end stops, roller carriers, DORMOTION, DM start/stops, and floor guide.
 Complete accessories for 5/16"–9/16" (8 –13.5) thick glass.



2P wall

2P wall installation – Set for wall installation with two sliding panels.

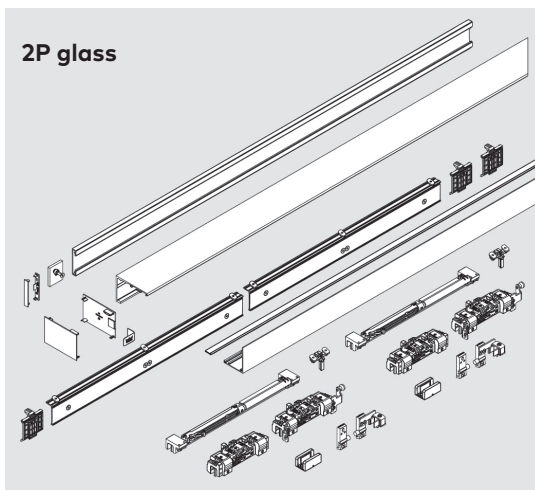
	Min panel width	Min clear opening width	Max panel width ¹	Max clear opening width ¹	Max track length ¹	Ref. No.
2P XL 120 SC W						
MTO	33-1/2" (850)	64-13/16" (1646)	57" (1448)	111-7/8" (2842)	157-1/2" (4000)	836.626



2P ceiling surface

2P ceiling surface installation – Set for ceiling surface installation with two sliding panels

	Min panel width	Min clear opening width	Max panel width ¹	Max clear opening width ¹	Max track length ¹	Ref. No.
2P XL 120 SC CE-S						
MTO	33-1/2" (850)	64-13/16" (1646)	57" (1448)	111-7/8" (2842)	157-1/2" (4000)	836.627



2P glass

2P glass installation – Set for glass installation with two sliding panels.

	Min panel width	Min clear opening width	Max panel width ¹	Max clear opening width ¹	Max track length ¹	Ref. No.
2P XL 120 SC G						
MTO	33-1/2" (850)	64-13/16" (1646)	57" (1448)	111-7/8" (2842)	157-1/2" (4000)	836.628

¹ For 157-1/2" track lengths, only 154" are useable.
 Max wood door sizes can be increased by 3" (76), MTO only.

Note: Refer to Component parts section for wood door adapter options.

Premium XL 80 Telescopic (TEL)

Large clear openings; small space requirement

Features

- Telescopic functionality
- Synchronized panels (simultaneous) movement of panel 1 (quick moving panel) and panel 2 (slow moving panel)—slow moving panel \leq half speed of panel 1
- DORMOTION functionality (optional)
- Status indicator (optional)

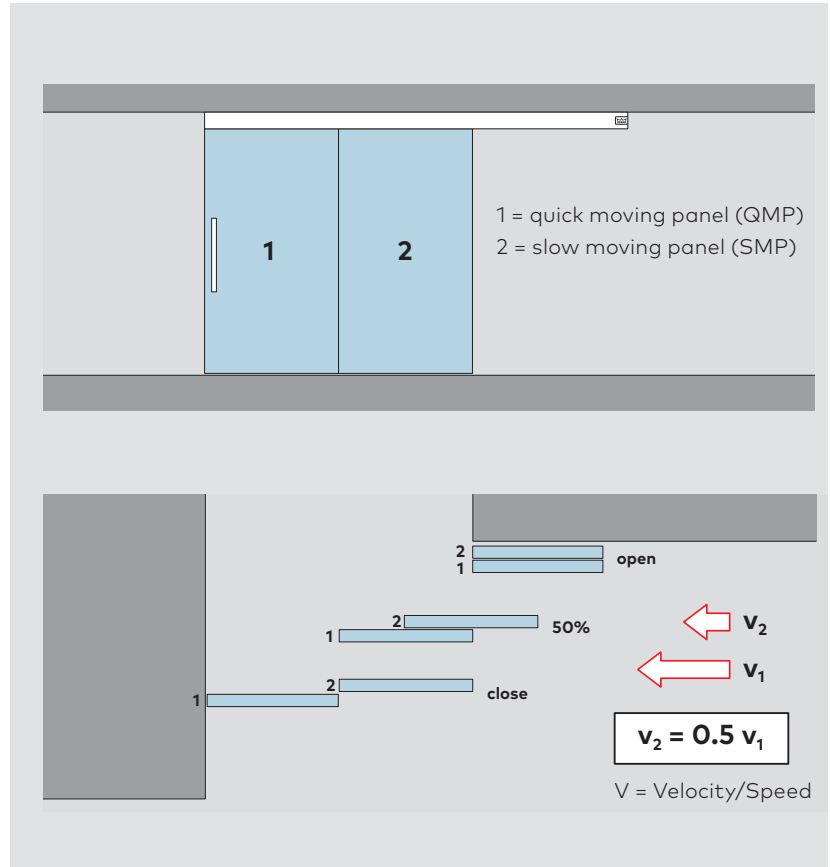
Hassle-free and uncomplicated ordering

- Quick (QMP) and slow (SMP) panels are clamped—no additional glass preparation required
- Easy glass preparation for mounting the moving floor guide

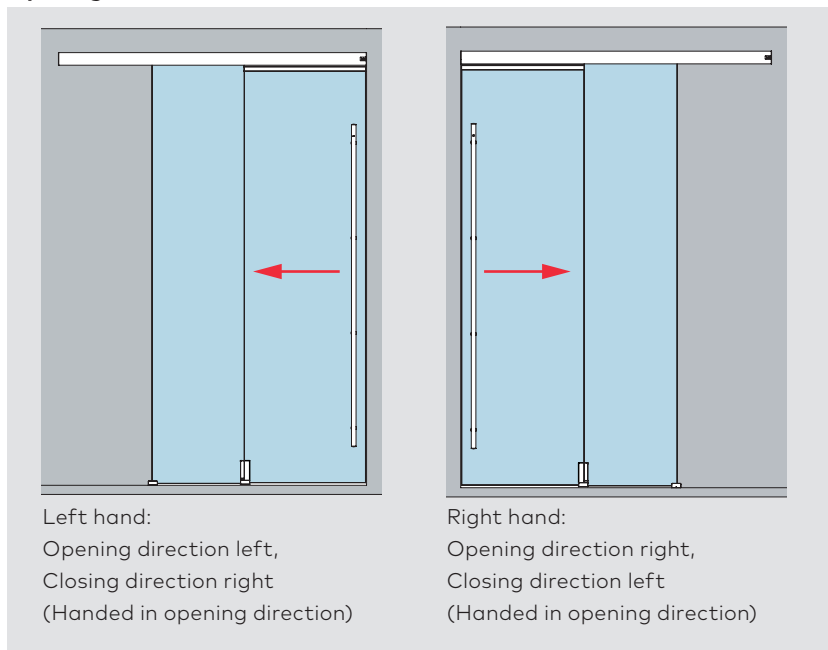
Many application choices

- Wall installation
- Ceiling installation
- Ceiling installation with sidelites and for closing against 90° jamb
- Installation to glass transom/sidelites
- Support for TLG (tempered laminated glass) due to Clamp & Glue technology
- Applicable for both glass and wood panels (wood panels require wood adapter set; see accessories section)
- Max 2 × 176 lb (80 kg) resp, 4 × 176 lb (80 kg)
- Support for glass thicknesses from 5/16"–9/16" (8–13.5)

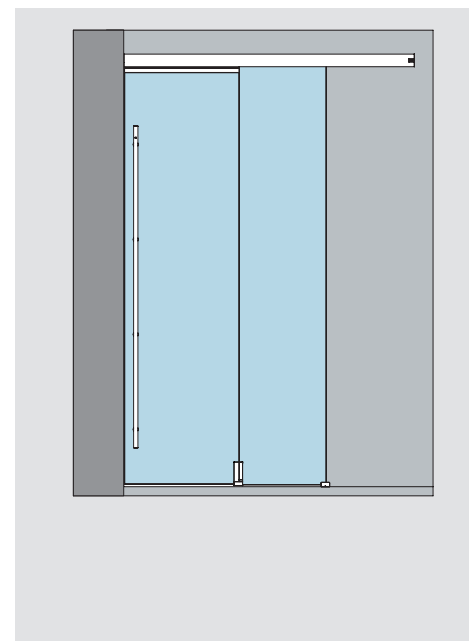
Quick and slow moving panels



Opening directions



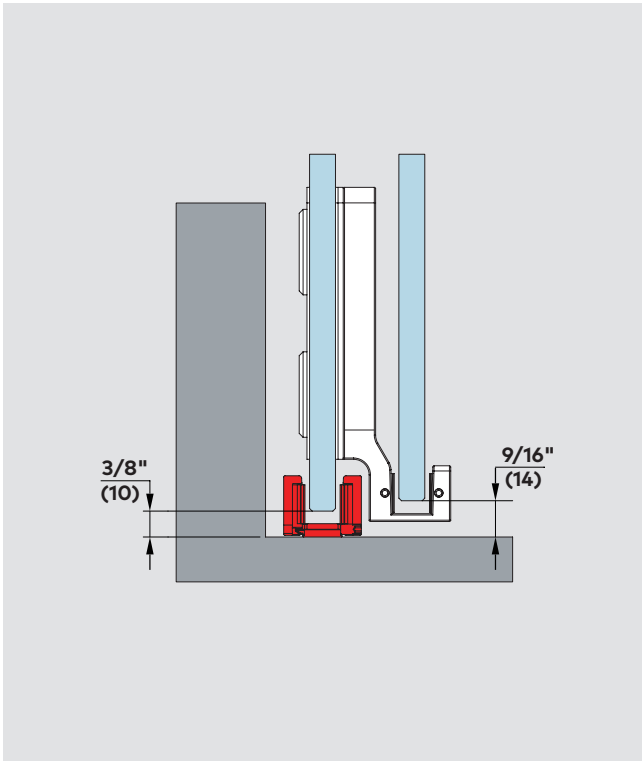
Closing against 90° jamb



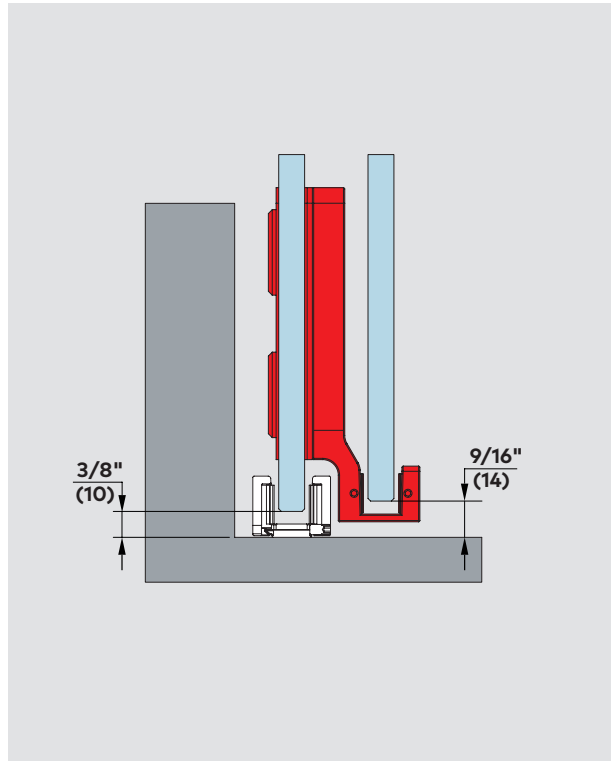
Premium XL 80 Telescopic (TEL)

Installing moving floor guide (requires glass preparation)

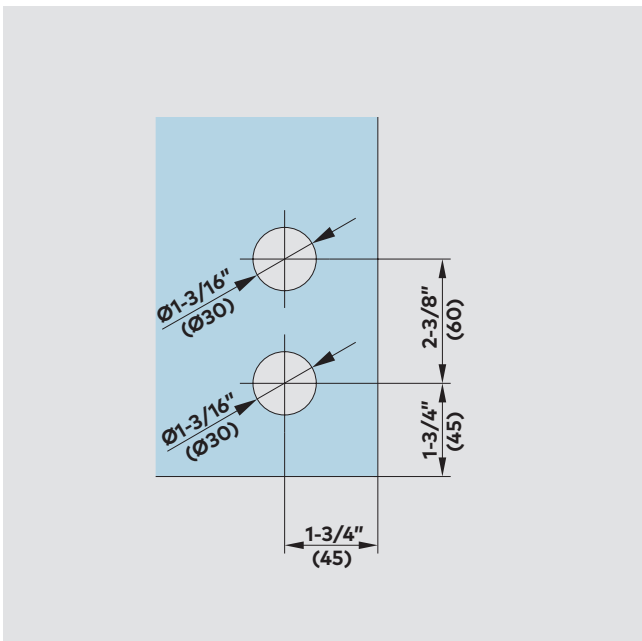
Standard fixed floor guide for guiding the slow moving panel



Moving floor guide for guiding the fast moving panel



Glass preparation for moving floor guide



Premium XL 80 Telescopic (TEL)

Wide openings with small panels

Unless indicated otherwise, all measurements are shown in inches (mm).

Panel width min.* – 23-5/8" (600)

Panel width max.* – 50-21/32" (1287)

Panel sizing chart

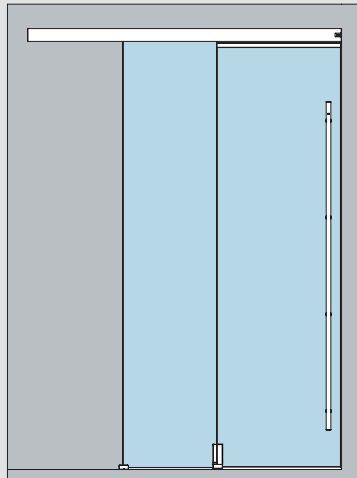
	without DORMOTION				S**		S**		S**			
	without handle	with handle	without handle	with handle	without handle	with handle	without handle	with handle	without handle	with handle	without handle	with handle
Min panel width	23-5/8" (600)	26-3/16" (665)	23-5/8" (600)	26-3/16" (665)	23-5/8" (600)	27-1/32" (687)	23-5/8" (600)	27-1/32" (687)	23-5/8" (600)	27-1/32" (687)	23-5/8" (600)	26-3/16" (665)
Clear opening width	43-23/32" (1110)	43-23/32" (1110)	90" (2286)	90" (2286)	68-29/32" (1750)	68-29/32" (1750)	137-21/32" (3496)	137-21/32" (3496)	45-3/32" (1145)	45-3/32" (1145)	45-3/32" (1145)	45-3/32" (1145)
Max panel width	47-1/4" (1200)	49-13/16" (1265)	39-3/8" (1000)	41-15/16" (1065)	47-1/4" (1200)	50-21/32" (1287)	39-3/8" (1000)	42-13/16" (1087)	47-1/4" (1200)	49-13/16" (1265)	47-1/4" (1200)	49-13/16" (1265)
Clear opening width	90-15/16" (2310)	90-15/16" (2310)	153" (3886)	153" (3886)	139-3/4" (3550)	139-3/4" (3550)	232-1/8" (5896)	232-1/8" (5896)	92-5/16" (2345)	92-5/16" (2345)	92-5/16" (2345)	92-5/16" (2345)
	with DORMOTION				S**		S**		S**			
	without handle	with handle	without handle	with handle	without handle	with handle	without handle	with handle	without handle	with handle	without handle	with handle
Min panel width	31-3/32" (790)	33-21/32" (855)	31-3/32" (790)	33-21/32" (855)	31-3/32" (790)	34-17/32" (877)	31-3/32" (790)	34-17/32" (877)	31-3/32" (790)	34-17/32" (877)	31-3/32" (790)	33-21/32" (855)
Rough opening width	58-21/32" (1490)	58-21/32" (1490)	119-15/16" (3046)	119-15/16" (3046)	91-11/32" (2320)	91-11/32" (2320)	182-17/32" (4636)	182-17/32" (4636)	60" (1525)	60" (1525)	60" (1525)	60" (1525)
Max panel width	47-1/4" (1200)	49-13/16" (1265)	39-3/8" (1000)	41-15/16" (1065)	47-1/4" (1200)	50-21/32" (1287)	39-3/8" (1000)	42-13/16" (1087)	47-1/4" (1200)	49-13/16" (1265)	47-1/4" (1200)	49-13/16" (1265)
Rough opening width	90-15/16" (2310)	90-15/16" (2310)	153" (3886)	153" (3886)	139-3/4" (3550)	139-3/4" (3550)	232-1/8" (5896)	232-1/8" (5896)	92-5/16" (2345)	92-5/16" (2345)	92-5/16" (2345)	92-5/16" (2345)

* Depending on installation related to quick moving panel (see detailed overview).

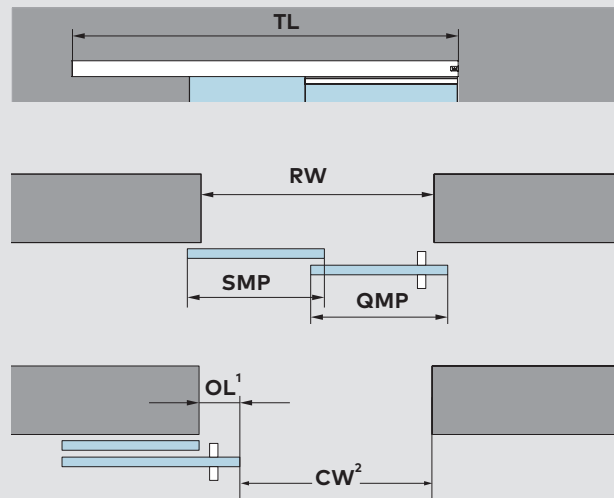
** Glass sidelite

Premium XL 80 Telescopic (TEL)

Typical assemblies mounted to wall



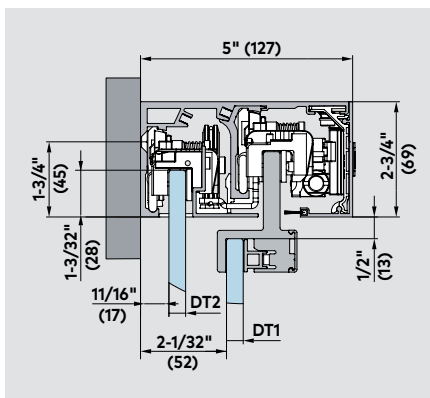
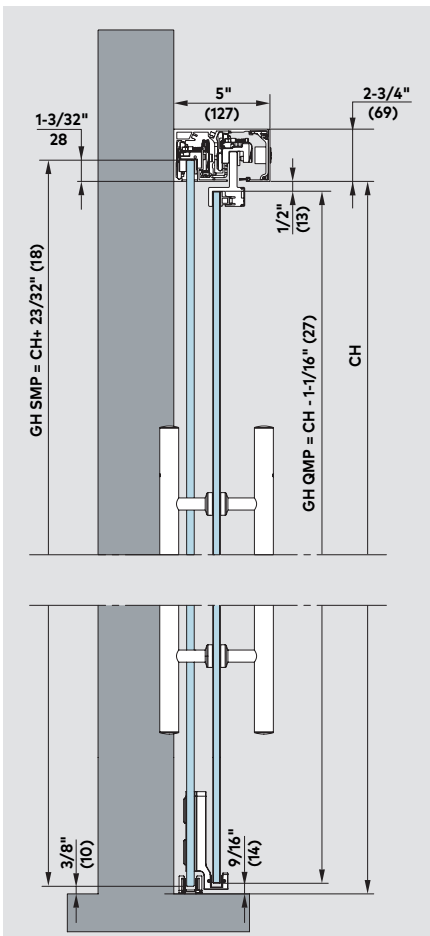
Opening direction left hand.
Closing direction right.
(Handed in opening direction.)



¹OL recommended at 6" (152), 4" (102) from leading edge (fast panel), 2" (51) from leading edge (slow panel/jamb). Dimension from center of pull.

²CW can be jamb to jamb, equal to RW if flush pull is used. Using two equal width doors allows both panels to open flush with jamb.

Mounted to wall



- TL = Track length
- GH SMP = Glass height slow moving panel
- GH QMP = Glass height quick moving panel
- CH = Clear opening height
- RW = Rough opening width
- SMP = Slow moving panel
- QMP = Quick moving panel
- DT = Glass (door) thickness
- OL = Overlap for handle
- CW = Clear opening width
- DT1 = Door thickness (fast panel)
- DT2 = Door thickness (slow panel)

Features and data

For installation with two door panels mounted to wall. 5/16"–9/16" (8–13.5) glass thickness. Optional DORMOTION unit.

Max. weight of door panels

176 lb (80 kg)

Calculation of track length

2 panels:

$$TL = (1.5 \times RW - (OL / 2)) + 3 - 11/32" \text{ (85)}$$

Bi-parting 4 panels:

$$TL = 1.5 \times RW - OL + 2 - 5/8" \text{ (67)}$$

Calculation of glass width

2 panels:

$$SMP = (RW - OL + 3 - 17/32" \text{ [90]}) / 2$$

$$QMP = SMP + OL$$

Bi-parting 4 panels:

$$SMP = (RW - (2 \times OL) + 4 - 1/2" \text{ [114]}) / 4$$

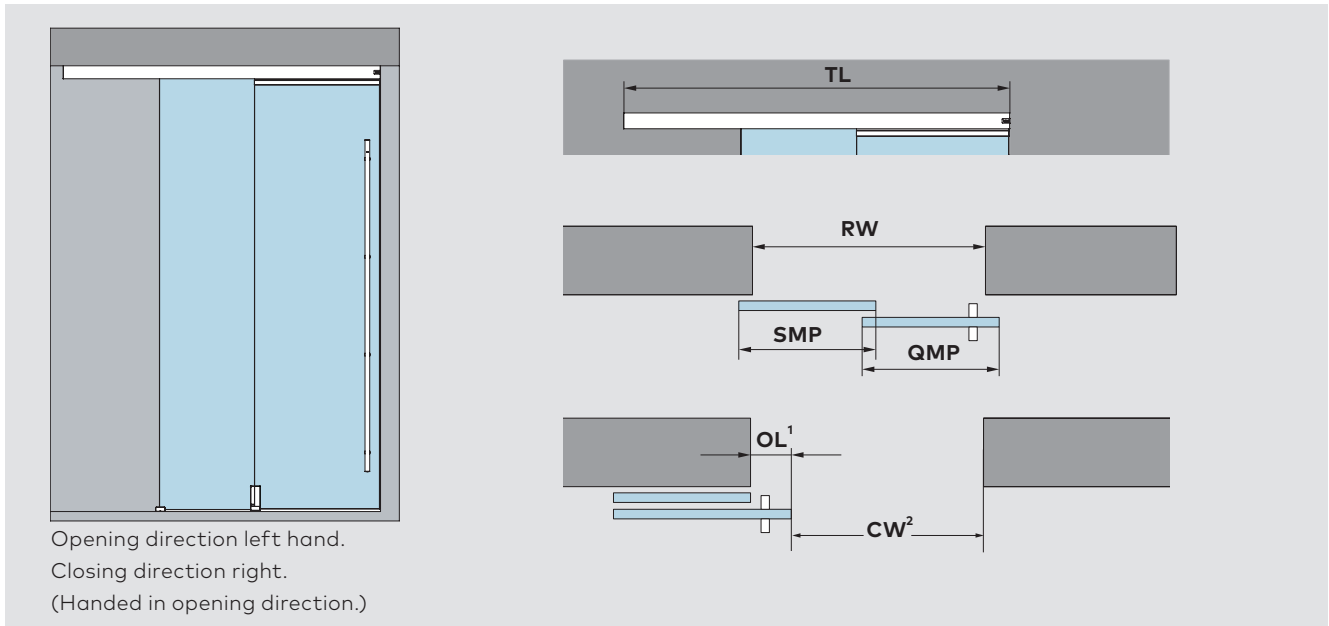
Calculation of glass height

$$GH \text{ SMP} = CH + 23/32" \text{ (18)}$$

$$GH \text{ QMP} = CH - 1 - 1/16" \text{ (27)}$$

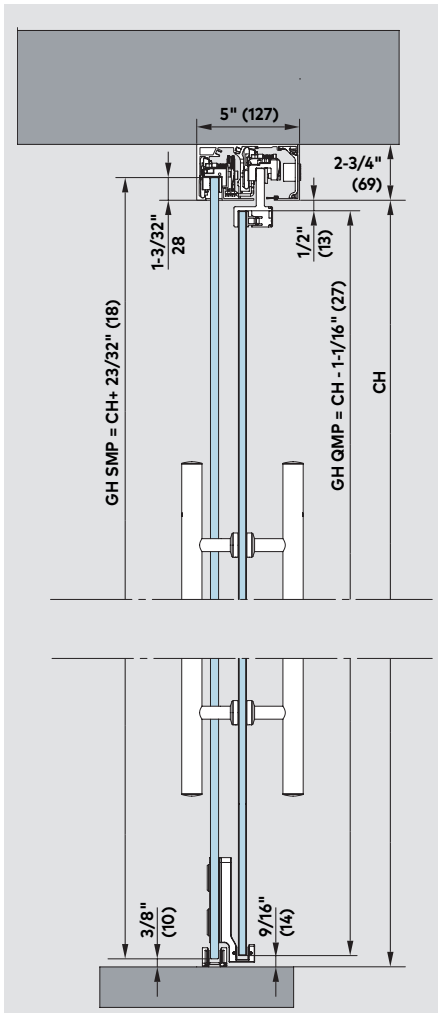
Premium XL 80 Telescopic (TEL)

Typical assemblies mounted to ceiling



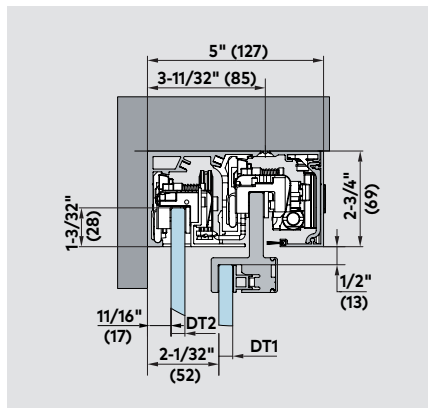
Opening direction left hand.
Closing direction right.
(Handed in opening direction.)

Mounted to ceiling



¹OL recommended at 6" (152), 4" (102) from leading edge (fast panel), 2" (51) from leading edge (slow panel/jamb). Dimension from center of pull.

²CW can be jamb to jamb, equal to RW if flush pull is used. Using two equal width doors allows both panels to open flush with jamb.



- TL = Track length
- GH SMP = Glass height slow moving panel
- GH QMP = Glass height quick moving panel
- CH = Clear opening height
- RW = Rough opening width
- SMP = Slow moving panel
- QMP = Quick moving panel
- DT = Glass (door) thickness
- OL = Overlap for handle
- CW = Clear opening width
- DT1 = Door thickness (fast panel)
- DT2 = Door thickness (slow panel)

Features and data

For installation with two door panels mounted at ceiling.
5/16"–9/16" (8–13.5) glass thickness.
Optional DORMOTION unit.

Max. weight of door panels

176 lb (80 kg)

Calculation of track length

2 panels:

$$TL = (1.5 \times RW - (OL/2)) + 3-11/32" \quad (85)$$

Bi-parting 4 panels:

$$TL = 1.5 \times RW - OL + 2-5/8" \quad (67)$$

Calculation of glass width

2 panels:

$$SMP = (RW - OL + 3-17/32" [90]) / 2$$

$$QMP = SMP + OL$$

Bi-parting 4 panels:

$$SMP = (RW - (2 \times OL) + 4-1/2" [114]) / 4$$

$$QMP = SMP + OL$$

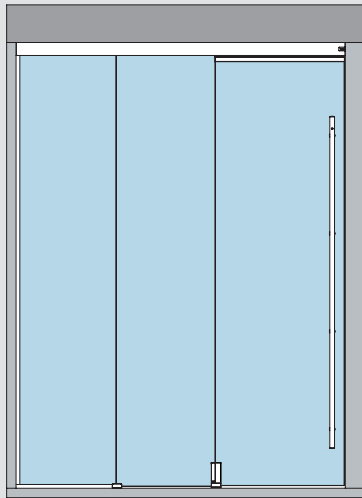
Calculation of glass height

$$GH \text{ SMP} = CH + 23/32" \quad (18)$$

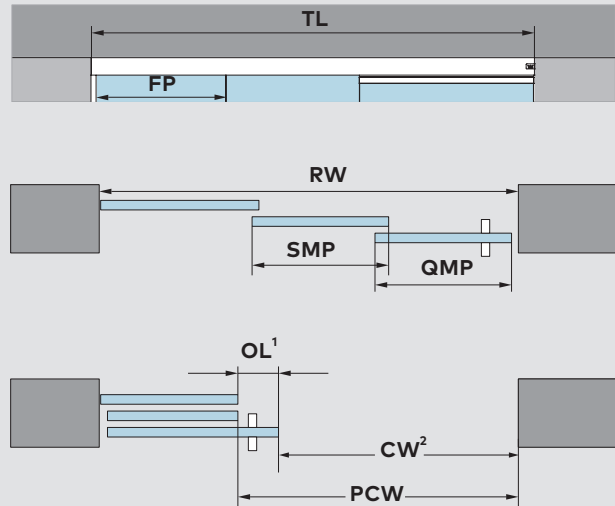
$$GH \text{ QMP} = CH - 1-1/16" \quad (27)$$

Premium XL 80 Telescopic (TEL)

Typical assemblies with sidelite on one side



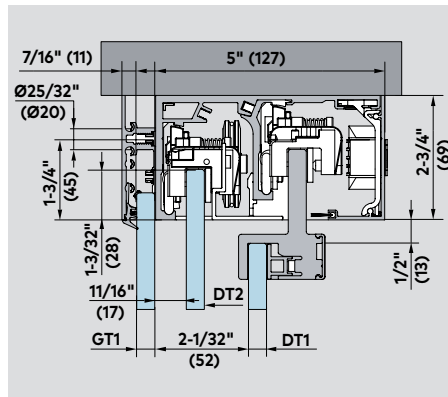
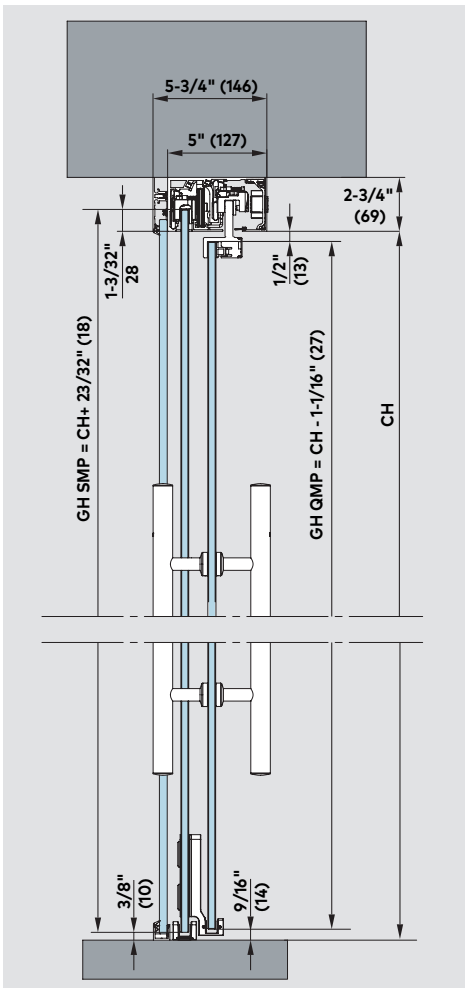
Opening direction left hand.
Closing direction right.
(Handed in opening direction.)



¹OL recommended at 6" (152), 4" (102) from leading edge (fast panel), 2" (51) from leading edge (slow panel/jamb). Dimension from center of pull.

²CW can be jamb to jamb, equal to RW if flush pull is used. Using two equal width doors allows both panels to open flush with jamb.

With sidelite



- TL = Track length
- GH SMP = Glass height slow moving panel
- GH QMP = Glass height quick moving panel
- CH = Clear opening height
- RW = Rough opening width
- SMP = Slow moving panel
- QMP = Quick moving panel
- FP = Fixed panel sidelite
- DT = Glass (door) thickness
- OL = Overlap for handle
- CW = Clear opening width
- PCW = Clear opening passage width (SMP)
- DT1 = Door thickness (fast panel)
- DT2 = Door thickness (slow panel)
- GT1 = Glass thickness (fixed panel sidelite)

Features and data

For installation with two door panels mounted at ceiling.
5/16"–9/16" (8–13.5) glass thickness.
Optional DORMOTION unit.

Max. weight of door panels

176 lb (80 kg)
For min. and max. panel sizes, see page 38.

Calculation of track length

$TL = RW - 5/32" (4)$
 $TL = RW$ (without end caps)

Calculation of glass width

2 panels:

$SMP = (RW - OL + 2" [51]) / 3$
 $QMP = SMP + OL$

Bi-parting 4 panels:

$SMP = (RW - (2 \times OL) + 4 (102)) / 6$
 $QMP = SMP + OL$

Calculation of glass height

$GH SMP = CH + 23/32" (18)$
 $GH QMP = CH - 1-1/16" (27)$

Sidelite calculations

2 panels:

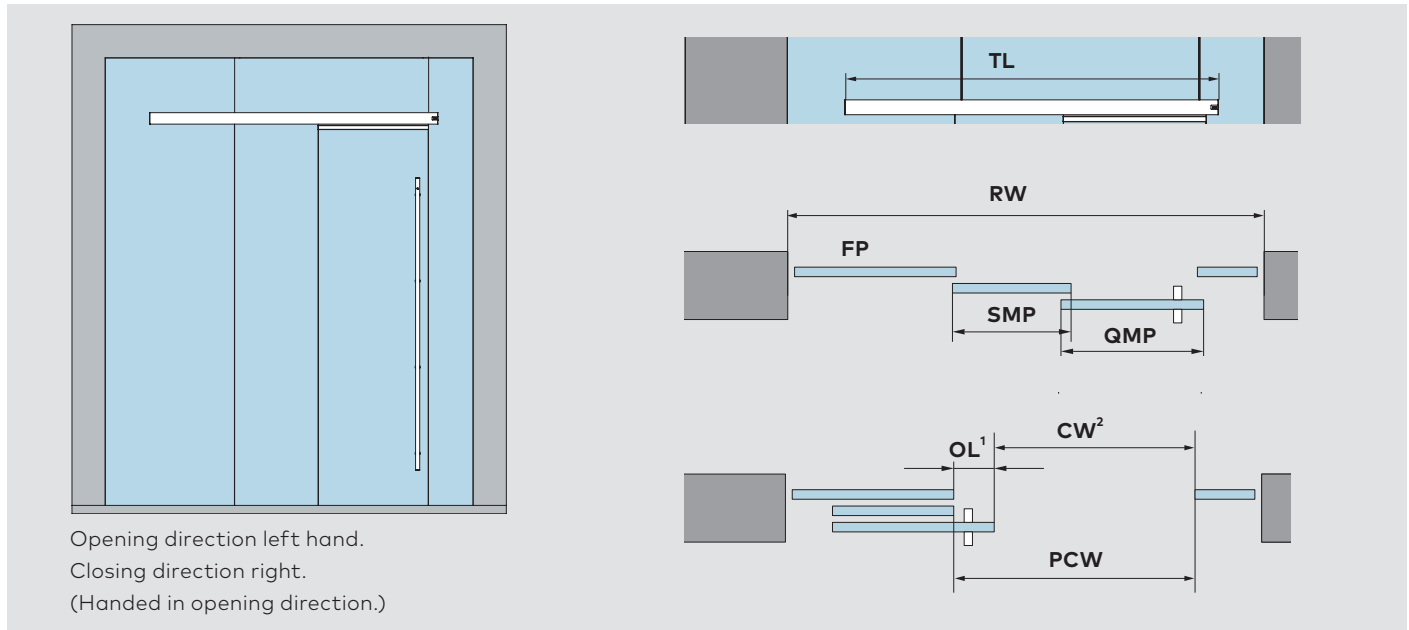
$FP = (RW - OL + 2-9/16" [66]) / 3$
 $PCW = RW - FP$

Bi-parting 4 panels:

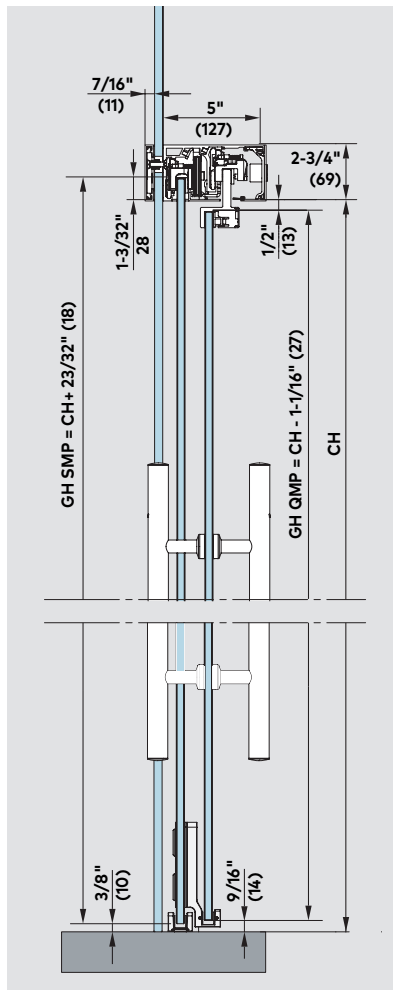
$FP = RW - (2 \times OL) + 5-3/16" (132) / 6$
 $PCW = RW - (2 \times FP)$

Premium XL 80 Telescopic (TEL)

Typical assemblies mounted to glass

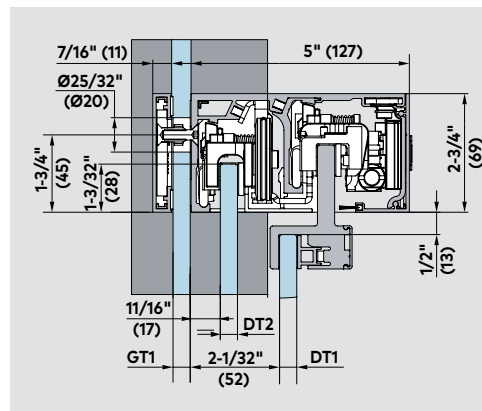


Mounted to glass



¹OL recommended at 6" (152), 4" (102) from leading edge (fast panel), 2" (51) from leading edge (slow panel/jamb). Dimension from center of pull.

²CW can be jamb to jamb, equal to RW if flush pull is used. Using two equal width doors allows both panels to open flush with jamb.



- TL = Track length
- GH SMP = Glass height slow moving panel
- GH QMP = Glass height quick moving panel
- CH = Clear opening height
- RW = Rough opening width
- SMP = Slow moving panel
- QMP = Quick moving panel
- DT = Glass (door) thickness
- OL = Overlap for handle
- CW = Clear opening width
- PCW = Clear opening passage width (SMP)
- DT1 = Door thickness (fast panel)
- DT2 = Door thickness (slow panel)
- GT1 = Glass thickness (fixed panel sidelite)

Features and data

For installation with two door panels mounted to glass.
5/16"-9/16" (8-13.5) glass thickness.
Optional DORMOTION unit.

Max. weight of door panels

176 lb (80 kg)
For min. and max. panel sizes, see page 36.

Calculation of track length

2 panels:

$$TL = (1.5 \times PCW - (OL/2)) + 5 - 5/16" \quad (135)$$

Bi-parting 4 panels:

$$TL = (1.5 \times PCW) - OL + 2 - 5/8" \quad (67)$$

Calculation of glass width

2 panels:

$$SMP = (PCW - OL + 3 - 17/32" \quad (90)) / 2$$

$$QMP = SMP + OL$$

Bi-parting 4 panels:

$$SMP = (PCW - (2 \times OL) + 4 - 1/2" \quad (114)) / 4$$

$$QMP = SMP + OL$$

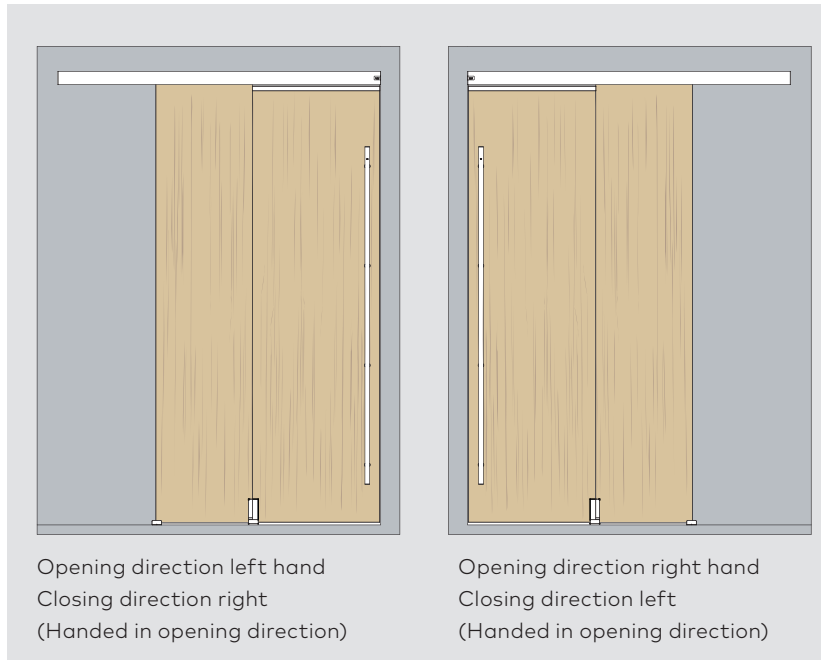
Calculation of glass height

$$GH \text{ SMP} = CH + 23/32" \quad (18)$$

$$GH \text{ QMP} = CH - 1 - 1/16" \quad (27)$$

Premium XL 80 Telescopic (TEL)

Typical assemblies for wood panels



Features and data

For installation with two wood doors mounted to wall or ceiling, for 1-1/8" to 1-31/32" (29 to 50) door thicknesses. Optional DORMOTION unit.

Max. weight of door panels

176 lb (80 kg)
For min. and max. panel sizes, see page 36.

Calculation of track length

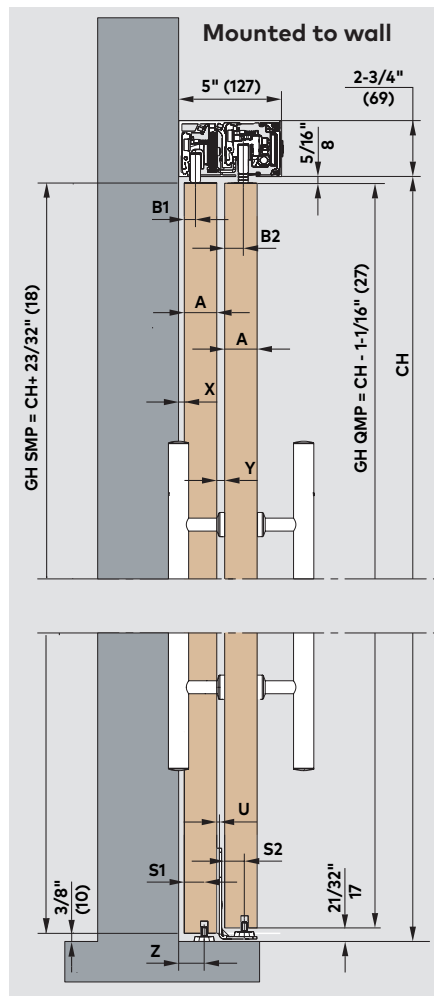
Refer to glass calculations on previous pages.

Calculation of panel width

Refer to glass calculations on previous pages.

Calculation of glass height

DH SMP = CH + 23/32" (18)
DH QMP = CH - 1-1/16" (27)



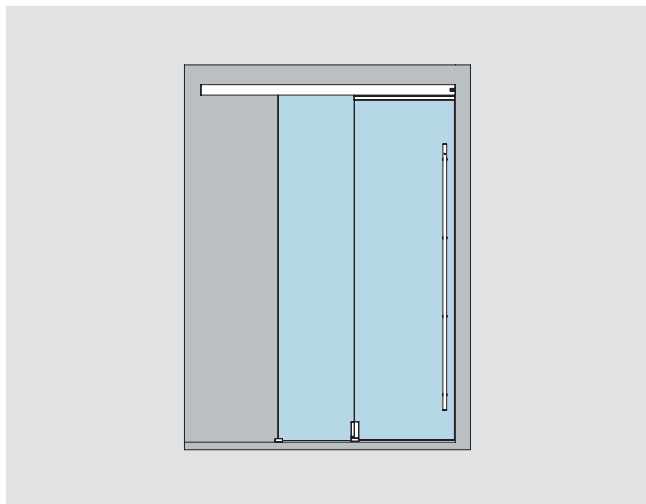
- CH** = Clear opening height
- DH SMP** = Door height slow moving panel
- DH QMP** = Door height quick moving panel

A	S1	S2	X	Y	Z	B1	B2	U
1-1/8" (29)	3/8" (9.5)	3/8" (9.5)	7/16" (11)	7/8" (22)	1" (25)	3/8" (10)	23/32" (18)	3/16" (5)
1-3/16" (30)	3/8" (9.5)	3/8" (9.5)	7/16" (11)	13/16" (21)	1" (25)	3/8" (10)	23/32" (18)	5/32" (4)
1-7/32" (31)	3/8" (9.5)	3/8" (9.5)	7/16" (11)	25/32" (20)	1" (25)	3/8" (10)	23/32" (18)	1/8" (3)
1-1/4" (32)	3/8" (9.5)	3/8" (9.5)	7/16" (11)	3/4" (19)	1" (25)	3/8" (10)	23/32" (18)	3/32" (2)
1-5/16" (33)	3/8" (9.5)	3/8" (9.5)	7/16" (11)	23/32" (18)	1" (25)	3/8" (10)	23/32" (18)	1/32" (1)
1-11/32" (34)	3/8" (9.5)	3/8" (9.5)	7/16" (11)	21/32" (17)	1" (25)	3/8" (10)	23/32" (18)	-
1-3/8" (35)	9/16" (14)	9/16" (14)	7/16" (11)	1/2" (13)	1-5/32" (29.5)	3/8" (10)	27/32" (21.5)	-
1-13/32" (36)	9/16" (14)	9/16" (14)	7/16" (11)	1/2" (13)	1-5/32" (29.5)	3/8" (10)	13/16" (20.5)	-
1-15/32" (37)	9/16" (14)	9/16" (14)	7/16" (11)	1/2" (13)	1-5/32" (29.5)	3/8" (10)	25/32" (19.5)	-
1-1/2" (38)	9/16" (14)	9/16" (14)	7/16" (11)	1/2" (13)	1-5/32" (29.5)	3/8" (10)	23/32" (18.5)	-
1-17/32" (39)	9/16" (14)	9/16" (14)	7/16" (11)	1/2" (13)	1-5/32" (29.5)	3/8" (10)	11/16" (17.5)	-
1-9/16" (40)	25/32" (20)	25/32" (20)	9/32" (7)	9/32" (7)	1-1/4" (31.5)	9/16" (14)	1-1/32" (26)	-
1-5/8" (41)	25/32" (20)	25/32" (20)	9/32" (7)	9/32" (7)	1-1/4" (31.5)	9/16" (14)	1" (25)	-
1-21/32" (42)	25/32" (20)	25/32" (20)	9/32" (7)	9/32" (7)	1-1/4" (31.5)	9/16" (14)	15/16" (24)	-
1-11/16" (43)	25/32" (20)	25/32" (20)	9/32" (7)	9/32" (7)	1-1/4" (31.5)	9/16" (14)	29/32" (23)	-
1-3/4" (44)	25/32" (20)	25/32" (20)	9/32" (7)	9/32" (7)	1-1/4" (31.5)	9/16" (14)	7/8" (22)	-
1-25/32" (45)	25/32" (20)	25/32" (20)	9/32" (7)	9/32" (7)	1-1/4" (31.5)	9/16" (14)	13/16" (21)	-
1-13/16" (46)	25/32" (20)	25/32" (20)	9/32" (7)	9/32" (7)	1-1/4" (31.5)	9/16" (14)	25/32" (20)	-
1-27/32" (47)	25/32" (20)	25/32" (20)	9/32" (7)	9/32" (7)	1-1/4" (31.5)	9/16" (14)	3/4" (19)	-
1-7/8" (48)	25/32" (20)	25/32" (20)	9/32" (7)	9/32" (7)	1-1/4" (31.5)	9/16" (14)	23/32" (18)	-
1-29/32" (49)	25/32" (20)	25/32" (20)	9/32" (7)	9/32" (7)	1-1/4" (31.5)	9/16" (14)	21/32" (17)	-
1-31/32" (50)	25/32" (20)	25/32" (20)	9/32" (7)	9/32" (7)	1-1/4" (31.5)	9/16" (14)	5/8" (16)	-

Premium XL 80 Telescopic (TEL)

Glass door sets with moving floor guide

— Mounted to wall



Premium XL 80 (TEL) Telescopic

Ref. No. 836.701

Set 1

For wall installation, with moving floor guide, 2 panels (left hand)
Incl. track profile, cover profile and brushes

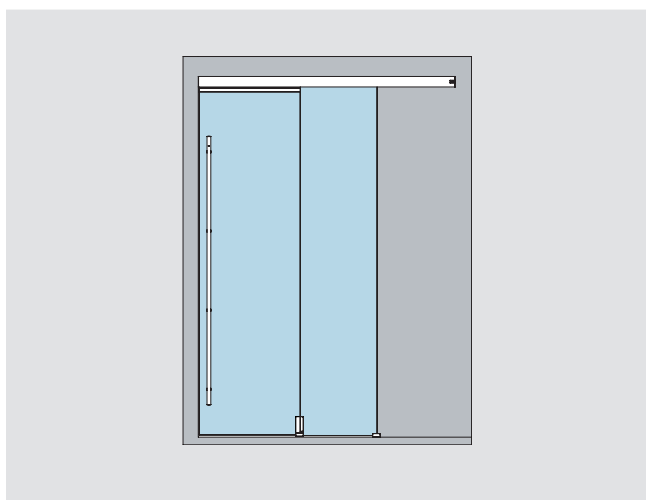
Complete accessories for
5/16"–9/16" (8-13.5) glass thickness,
max. 176 lb (80 kg)

Prepared for option DM (DORMOTION)

Set 1.1

Ref. No. 836.737

For closing against 90° jamb



Premium XL 80 (TEL) Telescopic

Ref. No. 836.702

Set 2

For wall installation, with moving floor guide, 2 panels (right hand)
Incl. track profile, cover profile and brushes

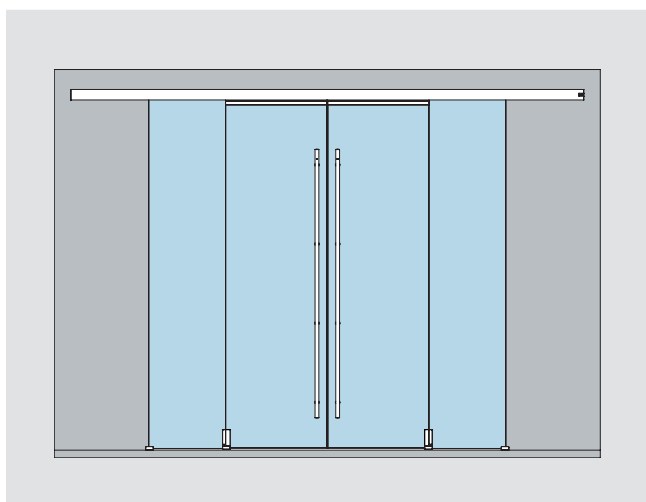
Complete accessories for
5/16"–9/16" (8-13.5) glass thickness,
max. 176 lb (80 kg)

Prepared for option DM (DORMOTION)

Set 2.1

Ref. No. 836.738

For closing against 90° jamb



Premium XL 80 (TEL) Telescopic

Ref. No. 836.709

Set 3

For wall installation, with moving floor guide,
4 panels (2 left hand/2 right hand)
Incl. track profile, cover profile and brushes

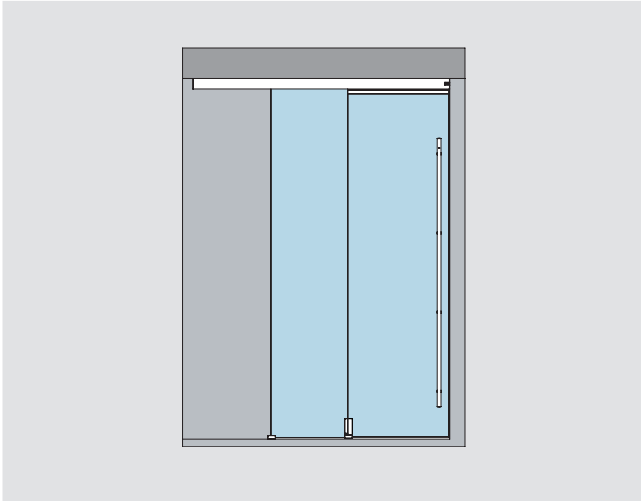
Complete accessories for
5/16"–9/16" (8-13.5) glass thickness, max.
176 lb (80 kg)

Prepared for option DM (DORMOTION)

Premium XL 80 Telescopic (TEL)

Glass door sets with moving floor guide

— Mounted to ceiling



Premium XL 80 (TEL) Telescopic

Ref. No. 836.703

Set 4

For ceiling installation, with moving floor guide, 2 panels (left hand) Incl. track profile, cover profile and brushes

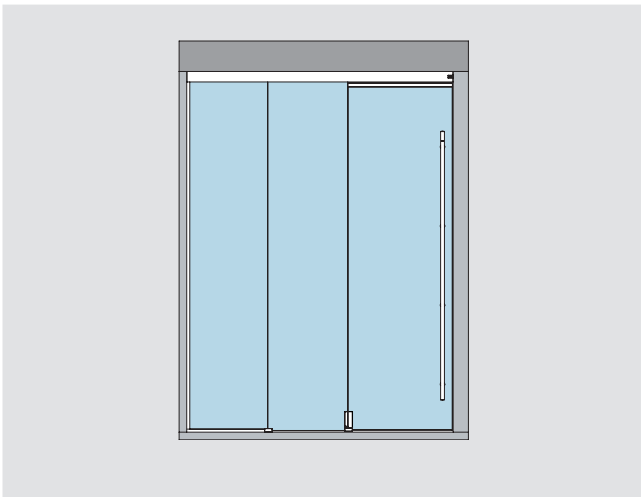
Complete accessories for 5/16"–9/16" (8-13.5) glass thickness, max. 176 lb (80 kg)

Prepared for option DM (DORMOTION)

Set 4.1

For closing against 90° jamb

Ref. No. 836.739



Premium XL 80 (TEL) Telescopic

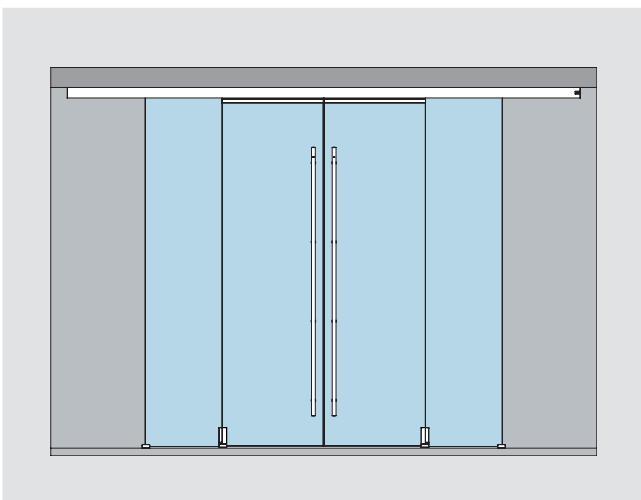
Ref. No. 836.704

Set 5

For ceiling by fixed panel sidelite installation, with moving floor guide, 2 panels (left hand) Incl. track profile, cover profile and brushes

Complete accessories for 5/16"–9/16" (8-13.5) glass thickness, max. 176 lb (80 kg)

Prepared for option DM (DORMOTION)



Premium XL 80 (TEL) Telescopic

Ref. No. 836.710

Set 6

For ceiling installation, with moving floor guide, 4 panels (2 left hand/2 right hand) Incl. track profile, cover profile and brushes

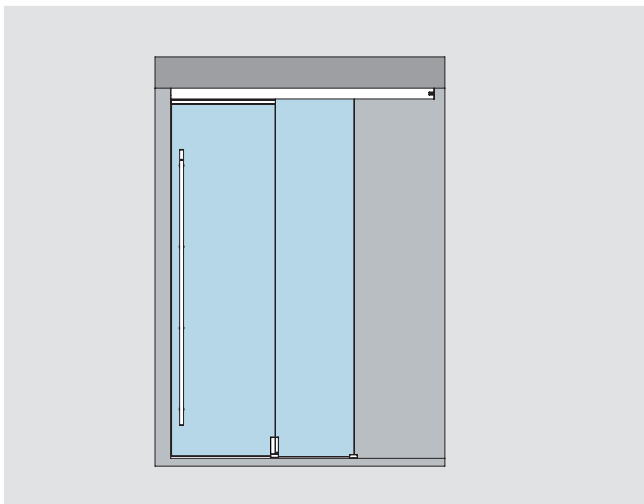
Complete accessories for 5/16"–9/16" (8-13.5) glass thickness, max. 176 lb (80 kg)

Prepared for option DM (DORMOTION)

Premium XL 80 Telescopic (TEL)

Glass door sets with moving floor guide

— Mounted to ceiling



Premium XL 80 (TEL) Telescopic

Ref. No. 836.705

Set 7

For ceiling installation, with moving floor guide, 2 panels (right hand)
Incl. track profile, cover profile and brushes

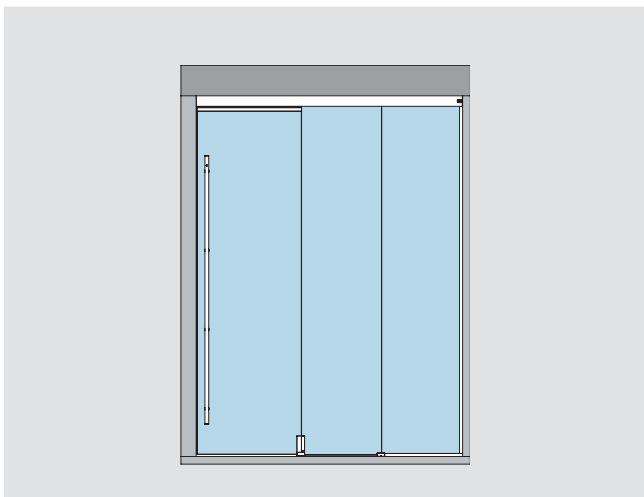
Complete accessories for
5/16"–9/16" (8-13.5) glass thickness,
max. 176 lb (80 kg)

Prepared for option DM (DORMOTION)

Set 7.1

For closing against 90° jamb

Ref. No. 836.740



Premium XL 80 (TEL) Telescopic

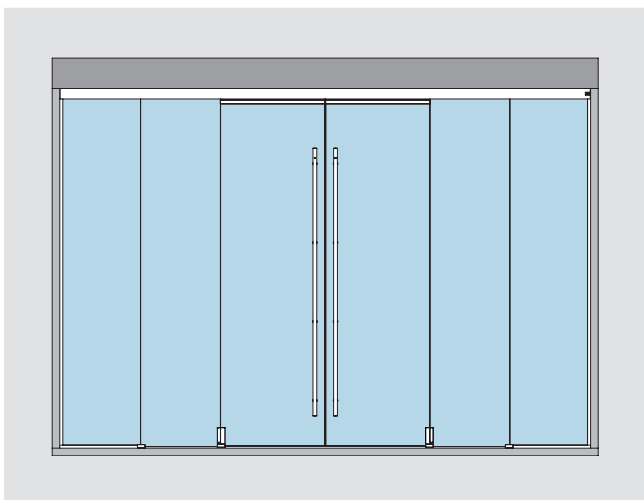
Ref. No. 836.706

Set 8

for ceiling installation, with moving floor guide, 2 panels (right hand) with one fixed panel sidelite
Incl. track profile, cover profile and brushes

Complete accessories for
5/16"–9/16" (8-13.5) glass thickness,
max. 176 lb (80 kg)

Prepared for option DM (DORMOTION)



Premium XL 80 (TEL) Telescopic

Ref. No. 836.711

Set 9

For ceiling installation, with moving floor guide, 4 panels (2 left hand/2 right hand) and one fixed panel sidelite per side
Incl. track profile, cover profile and brushes

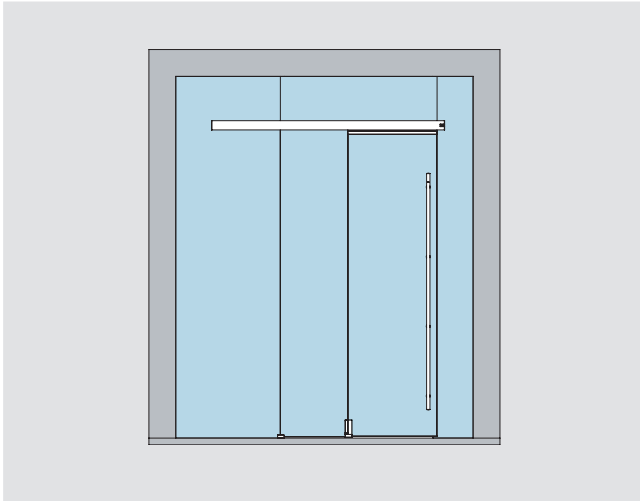
Complete accessories for
5/16"–9/16" (8-13.5) glass thickness,
max. 176 lb (80 kg)

Prepared for option DM (DORMOTION)

Premium XL 80 Telescopic (TEL)

Glass door sets with moving floor guide

— Glass mounted



Premium XL 80 (TEL) Telescopic

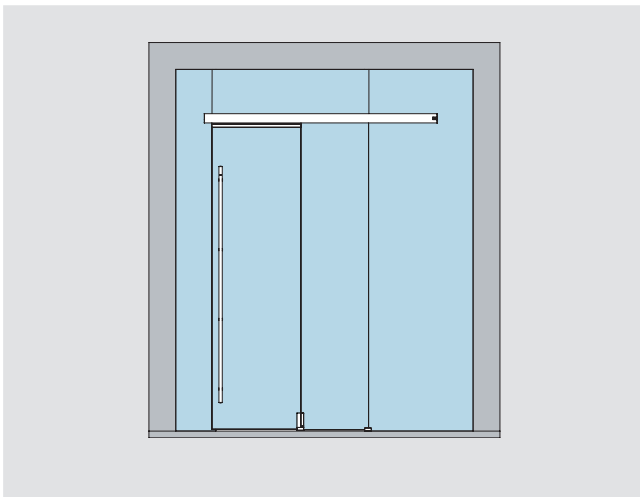
Ref. No. 836.707

Set 10

For installing on glass, with moving floor guide, 2 panels (left hand)
Incl. track profile, cover profile and brushes

Complete accessories for
5/16"–9/16" (8-13.5) glass thickness,
max. 176 lb (80 kg)

Prepared for option DM (DORMOTION)



Premium XL 80 (TEL) Telescopic

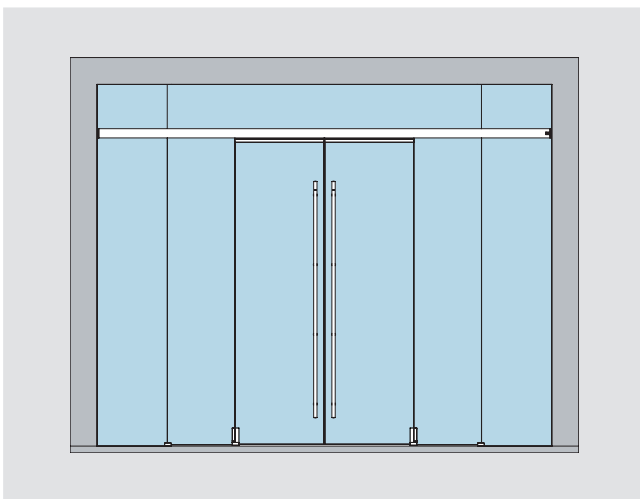
Ref. No. 836.708

Set 11

For installing on glass, with moving floor guide, 2 panels (right hand)
Incl. track profile, cover profile and brushes

Complete accessories for
5/16"–9/16" (8-13.5) glass thickness,
max. 176 lb (80 kg)

Prepared for option DM (DORMOTION)



Premium XL 80 (TEL) Telescopic

Ref. No. 836.712

Set 12

For installing on glass, with moving floor guide, 4 panels (2 left hand/2 right hand)
Incl. track profile, cover profile and brushes

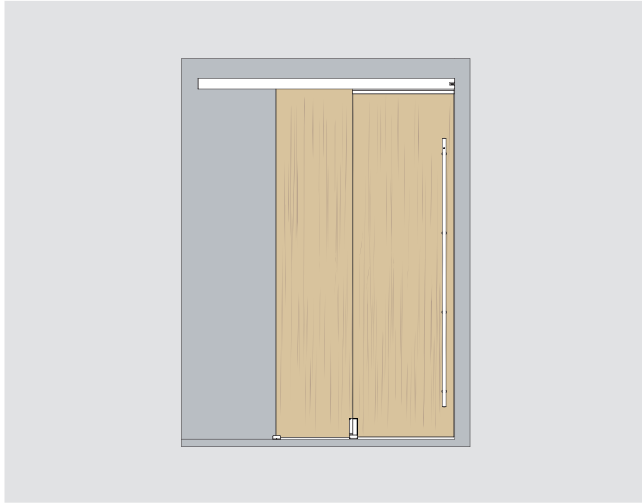
Complete accessories for
5/16"–9/16" (8-13.5) glass thickness,
max. 176 lb (80 kg)

Prepared for option DM (DORMOTION)

Premium XL 80 Telescopic (TEL)

Wood door sets with moving floor guide

— Mounted to wall



Premium XL 80 (TEL) Telescopic

Ref. No. 836.725

Set 25

For wall installation, with moving floor guide, 2 panels (left hand)
Incl. track profile, cover profile and brushes

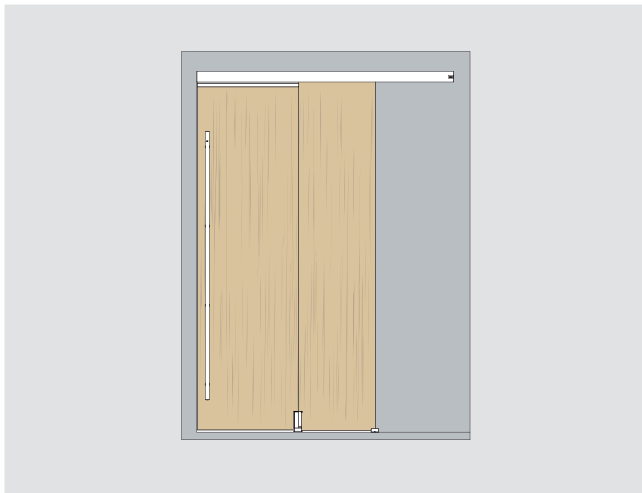
Complete accessories for
1-1/8"–1-31/32" (29–50) wood panel
thickness,
max. 176 lb (80 kg)

Prepared for option DM (DORMOTION)

Set 25.1

For closing against 90° jamb

Ref. No. 836.792



Premium XL 80 (TEL) Telescopic

Ref. No. 836.726

Set 26

For wall installation, with moving floor guide, 2 panels (right hand)
Incl. track profile, cover profile and brushes

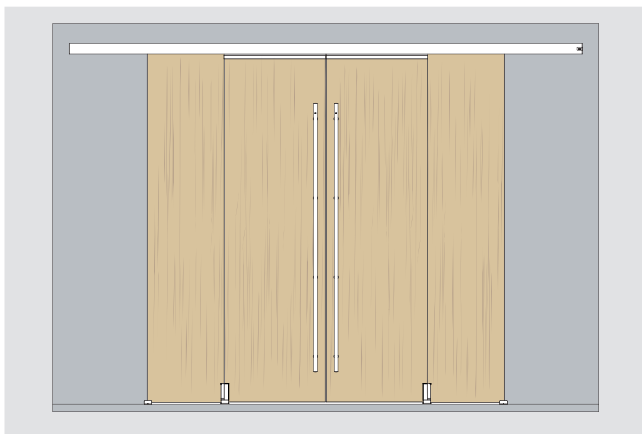
Complete accessories for
1-1/8"–1-31/32" (29–50) wood panel
thickness,
max. 176 lb (80 kg)

Prepared for option DM (DORMOTION)

Set 26.1

For closing against 90° jamb

Ref. No. 836.793



Premium XL 80 (TEL) Telescopic

Ref. No. 836.733

Set 27

For wall installation, with moving floor guide, 4 panels (2 left hand/2 right hand)
Incl. track profile, cover profile and brushes

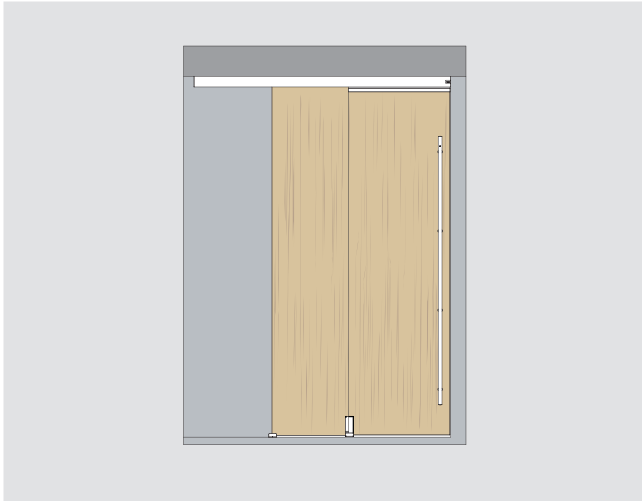
Complete accessories for
1-1/8"–1-31/32" (29–50) wood panel
thickness,
max. 176 lb (80 kg)

Prepared for option DM (DORMOTION)

Premium XL 80 Telescopic (TEL)

Wood door sets with moving floor guide

– Mounted to ceiling



Premium XL 80 (TEL) Telescopic

Ref. No. 836.727

Set 28

For ceiling installation, with moving floor guide, 2 panels (left hand) Incl. track profile, cover profile and brushes

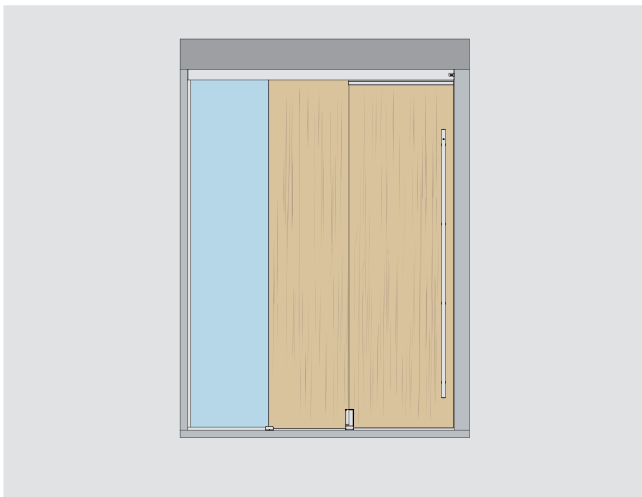
Complete accessories for
1-1/8"–1-31/32" (29–50) wood panel
thickness,
max. 176 lb (80 kg)

Prepared for option DM (DORMOTION)

Set 28.1

For closing against 90° jamb

Ref. No. 836.794



Premium XL 80 (TEL) Telescopic

Ref. No. 836.728

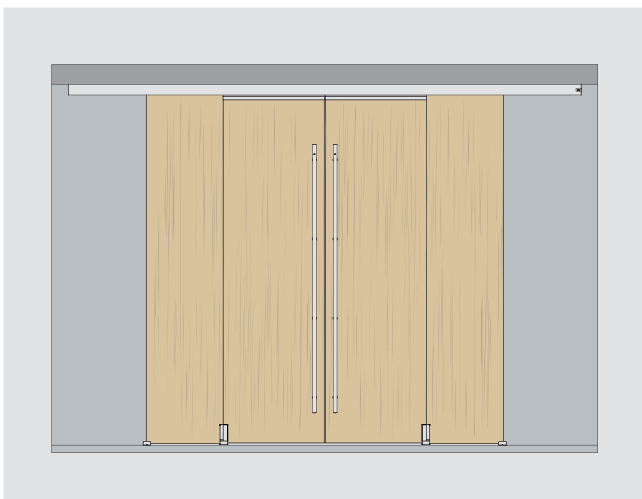
Set 29

For ceiling installation, with moving floor guide, 2 panels (left hand) with fixed panel sidelite

Incl. track profile, cover profile and brushes

Complete accessories for
1-1/8"–1-31/32" (29–50) wood panel
thickness,
max. 176 lb (80 kg)

Prepared for option DM (DORMOTION)



Premium XL 80 (TEL) Telescopic

Ref. No. 836.734

Set 30

For ceiling installation, with moving floor guide, 4 panels (2 left hand/2 right hand) Incl. track profile, cover profile and brushes

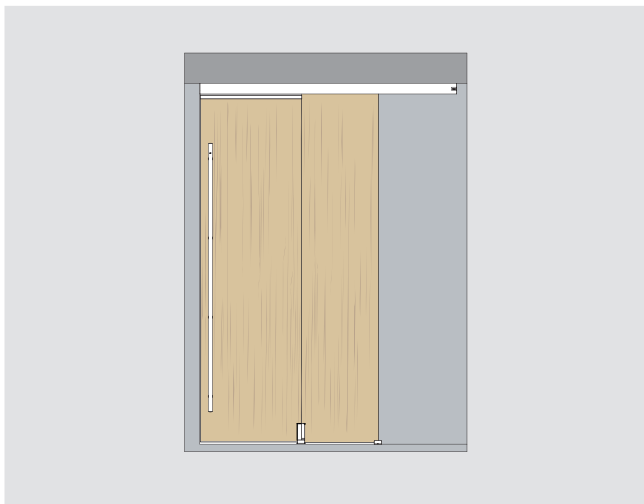
Complete accessories for
1-1/8"–1-31/32" (29–50) wood panel
thickness,
max. 176 lb (80 kg)

Prepared for option DM (DORMOTION)

Premium XL 80 Telescopic (TEL)

Wood door sets with moving floor guide

— Mounted to ceiling



Premium XL 80 (TEL) Telescopic

Ref. No. 836.729

Set 31

For ceiling installation, with moving floor guide, 2 panels (right hand)
Incl. track profile, cover profile and brushes

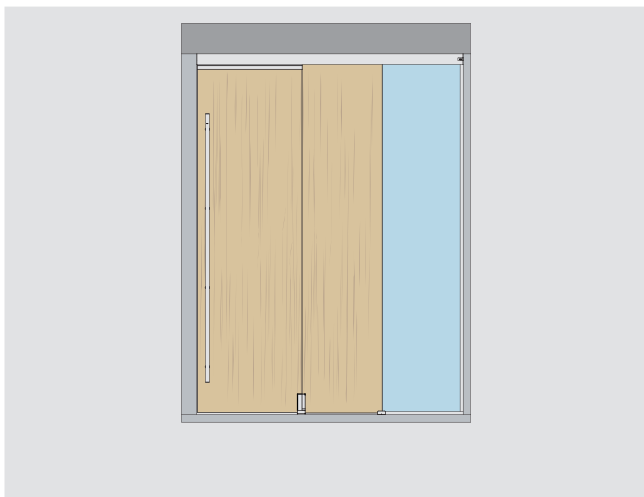
Complete accessories for
1-1/8"–1-31/32" (29–50) wood panel
thickness,
max. 176 lb (80 kg)

Prepared for option DM (DORMOTION)

Set 31.1

For closing against 90° jamb

Ref. No. 836.795



Premium XL 80 (TEL) Telescopic

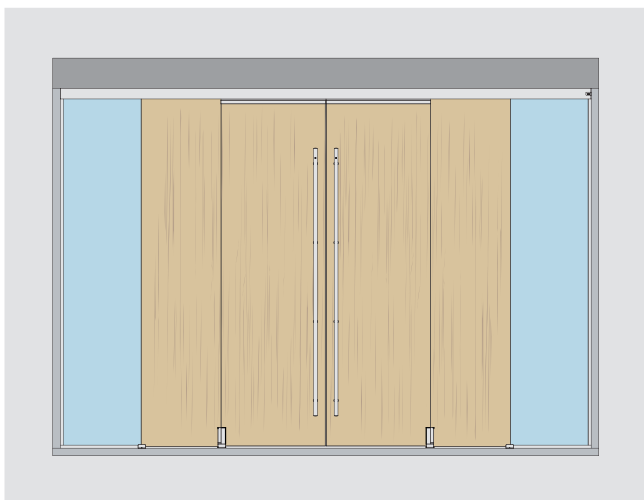
Ref. No. 836.730

Set 32

For ceiling installation, with moving floor guide, 2 panels (right hand) with fixed panel sidelite
Incl. track profile, cover profile and brushes

Complete accessories for
1-1/8"–1-31/32" (29–50) wood panel
thickness,
max. 176 lb (80 kg)

Prepared for option DM (DORMOTION)



Premium XL 80 (TEL) Telescopic

Ref. No. 836.735

Set 33

For ceiling installation, with moving floor guide, 4 panels (2 left hand/2 right hand) with one fixed panel sidelite per side
Incl. track profile, cover profile and brushes

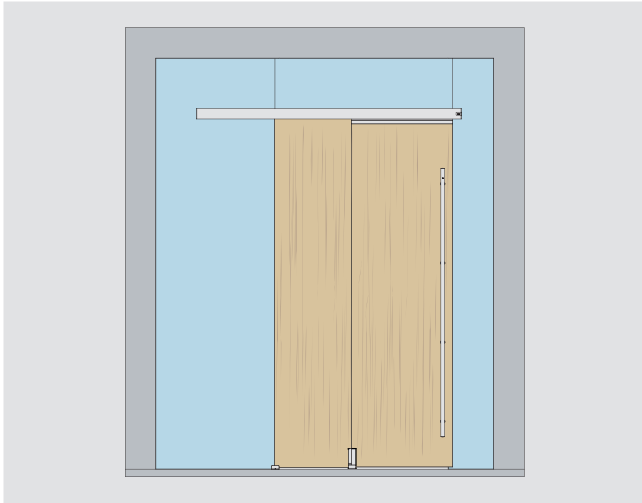
Complete accessories for
1-1/8"–1-31/32" (29–50) wood panel
thickness,
max. 176 lb (80 kg)

Prepared for option DM (DORMOTION)

Premium XL 80 Telescopic (TEL)

Wood door sets with moving floor guide

– Glass mounted



Premium XL 80 (TEL) Telescopic

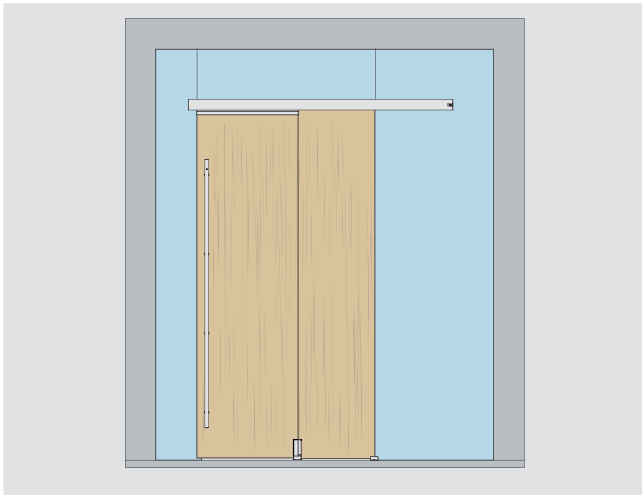
Ref. No. 836.731

Set 34

For installing on glass, with moving floor guide, 2 panels (left hand)
Incl. track profile, cover profile and brushes

Complete accessories for
1-1/8"–1-31/32" (29–50) wood panel
thickness,
max. 176 lb (80 kg)

Prepared for option DM (DORMOTION)



Premium XL 80 (TEL) Telescopic

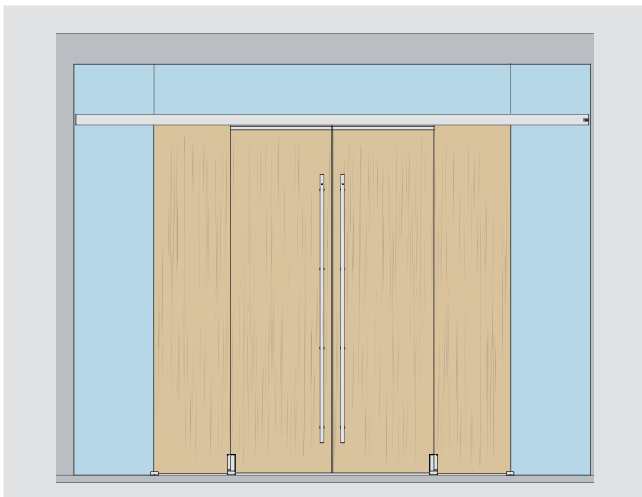
Ref. No. 836.732

Set 35

For installing on glass, with moving floor guide, 2 panels (right hand)
Incl. track profile, cover profile and brushes

Complete accessories for
1-1/8"–1-31/32" (29–50) wood panel
thickness,
max. 176 lb (80 kg)

Prepared for option DM (DORMOTION)



Premium XL 80 (TEL) Telescopic

Ref. No. 836.736

Set 36

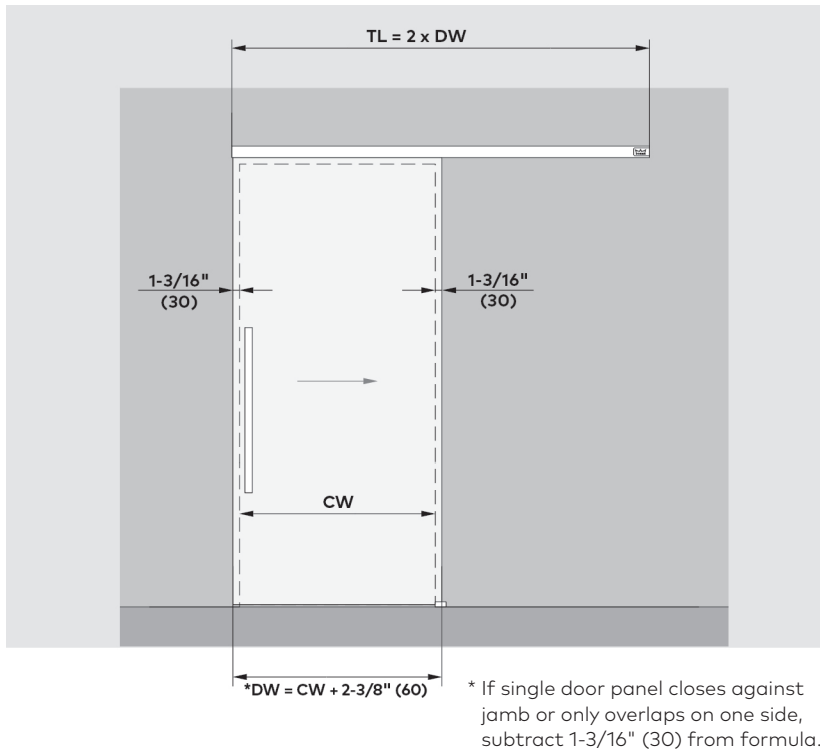
For installing on glass, with moving floor guide, 4 panels (2 left hand/2 right hand)
Incl. track profile, cover profile and brushes

Complete accessories for
1-1/8"–1-31/32" (29–50) wood panel
thickness,
max. 176 lb (80 kg)

Prepared for option DM (DORMOTION)

Comfort L 80 DORMOTION (DM) / L 80

Typical assemblies mounted to wall



Features and data

For installation with one or two sliding door panels mounted to wall; for 5/16"– 9/16" (8 – 13.5) thick glass

Max. weight of door panels

176 lb (80 kg)

Calculation of glass height

$$GH = CH + 3/4'' (18) + X$$

(see drawing)

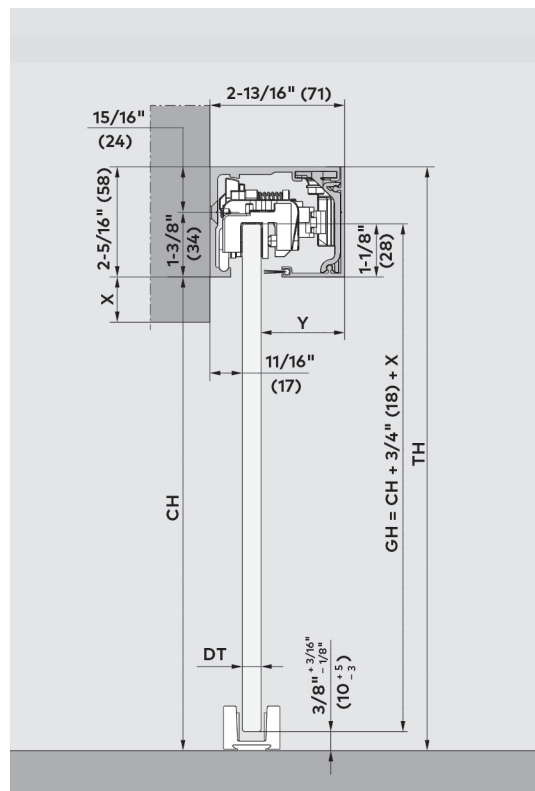
max 118-1/8" (3000)

Calculation of glass width

$$DW = CW + 2-3/8'' (60)$$

L 80 DM	
min DW	39" (990)
max DW	57" (1448)
max 2P DW	2 × 57" (1448)
L 80	
min DW	26" (660)
max DW	57" (1448)
max 2P DW	2 × 57" (1448)

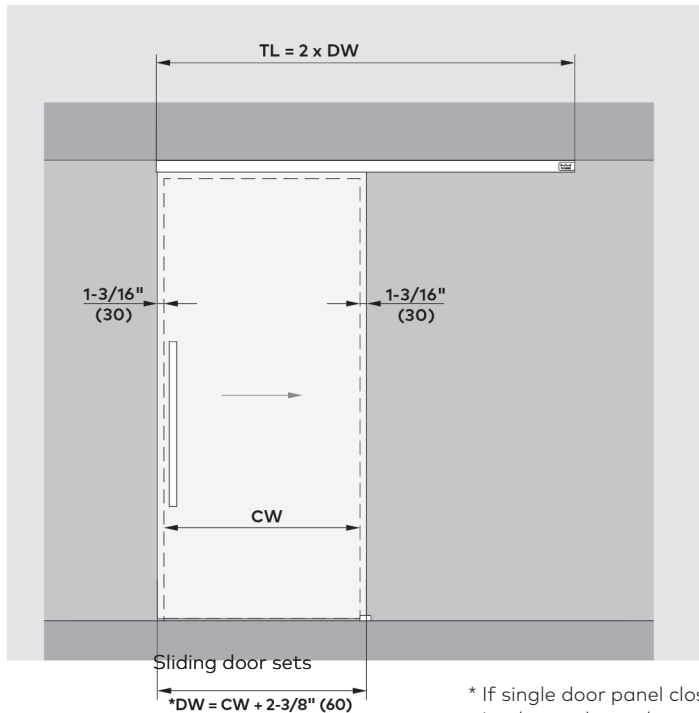
Mounted to wall (W)



- DW** = Glass width
- TL** = Track length
- GH** = Glass height
- TH** = Total height
- CH** = Clear opening height
- CW** = Clear opening width
- DT** = Door (glass) thickness
- Y** = 2-13/16" (71) – 11/16" (17) – DT
- X** = Bottom of track channel to top of clear opening

Comfort L 80 DORMOTION (DM) / L 80

Typical assemblies mounted to ceiling



* If single door panel closes against jamb or only overlaps on one side, subtract 1-3/16" (30) from formula.

Features and data

For installation with one or two sliding door panels mounted to wall; for 5/16" – 9/16" (8 – 13.5) thick glass

Max. weight of door panels

176 lb (80 kg)

Calculation of glass height (CE-S)

$$GH = TH - 1-9/16" (40)$$

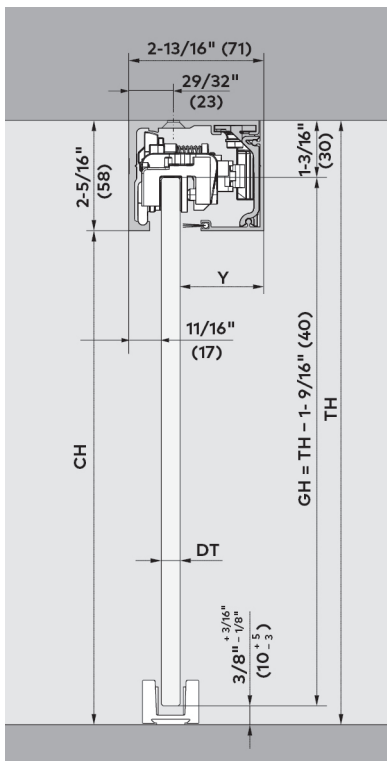
max 118-1/8" (3000)

Calculation of glass width

$$DW = CW + 2-3/8" (60)$$

L 80 DM	
min DW	39" (990)
max DW	57" (1448)
max 2P DW	2 x 57" (1448)
L 80	
min DW	26" (660)
max DW	57" (1448)
max 2P DW	2 x 57" (1448)

Mounted to ceiling (CE-S)



- DW = Glass width
- TL = Track length
- GH = Glass height
- TH = Total height
- CH = Clear opening height
- CW = Clear opening width
- DT = Door (glass) thickness
- Y = 2-13/16" (71) – 11/16" (17) – DT

Comfort L 80 DORMOTION (DM) / L 80

Typical assemblies with one sliding panel and fixed panel on one side

Features and data

For installation with one sliding door panel with fixed panel on one side, mounted to ceiling; for 5/16" – 9/16" (8 – 13.5) thick glass.

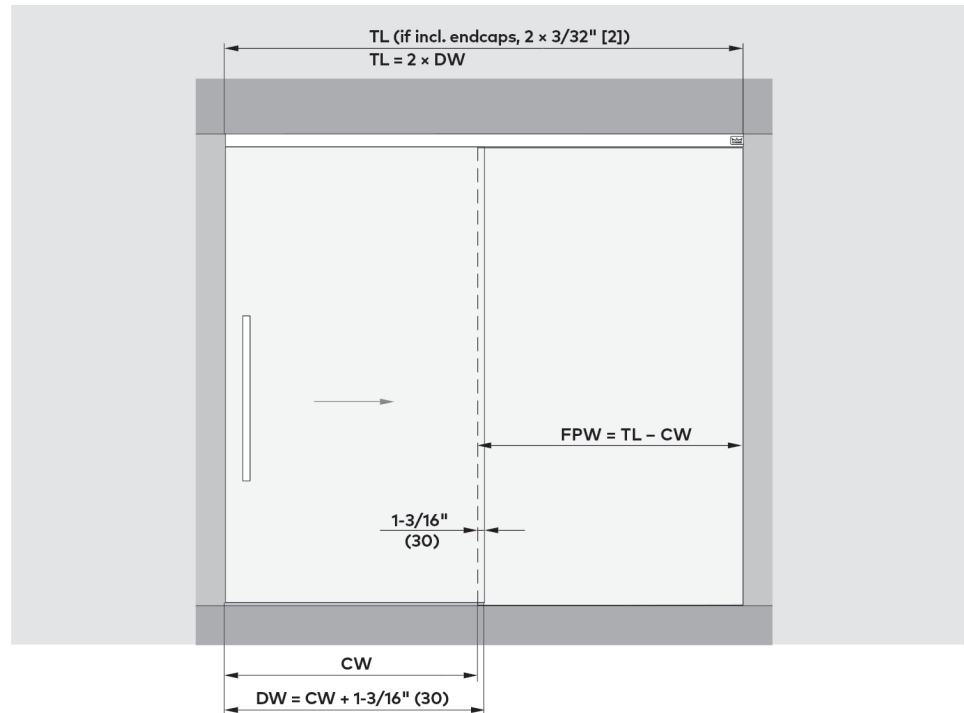
Max. weight of door panels

176 lb (80 kg)

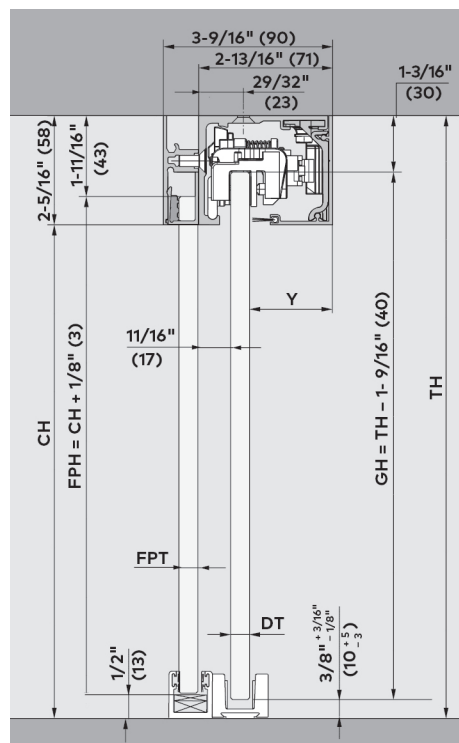
Calculation of glass width

$$DW = CW + 1\text{-}3/16\text{' (30)}$$

L 80 DM	
min DW	39" (990)
max DW	57" (1448)
L 80	
min DW	26" (660)
max DW	57" (1448)



Mounted to ceiling (CE-S)



- DW = Glass width
- TL = Track length
- GH = Glass height sliding door
- FPH = Fixed panel (sidelite) height
- TH = Total height
- CH = Clear opening height
- CW = Clear opening width
- FPW = Fixed panel (sidelite) width
- DT = Door (glass) thickness
- FPT = Fixed panel (glass) thickness
- Y = 2-13/16" (71) – 11/16" (17) – DT

Calculation of glass height (CE-S)

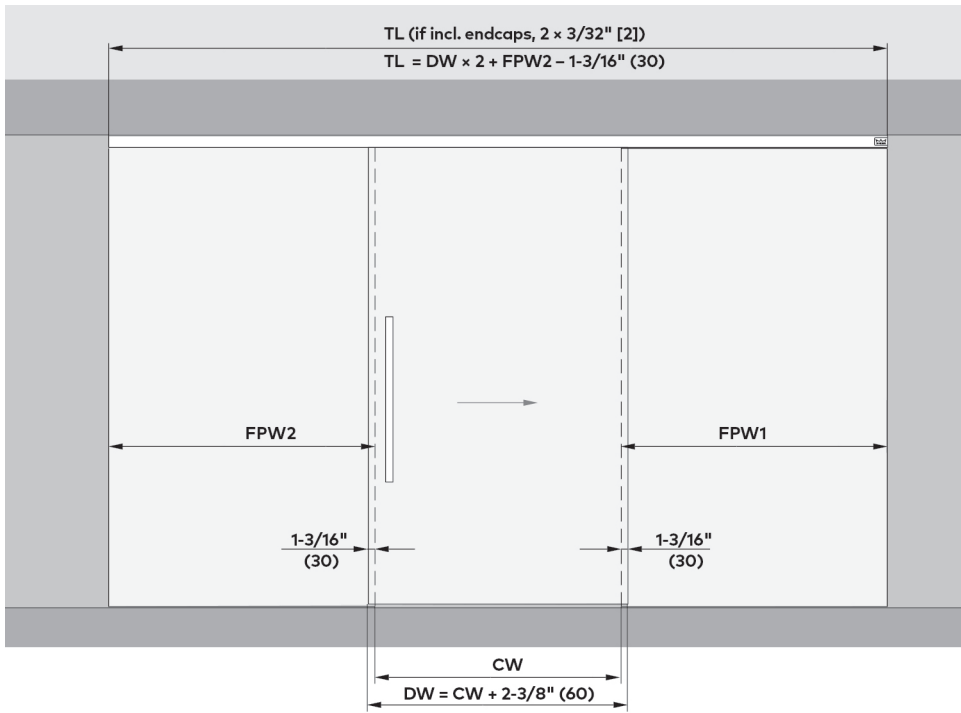
$$GH = TH - 1\text{-}9/16\text{' (40)}$$

$$FPH = CH + 1/8\text{' (3)}$$

$$\text{max } 118\text{-}1/8\text{' (3000)}$$

Comfort L 80 DORMOTION (DM) / L 80

Typical assemblies with one sliding panel and fixed panels on both sides



Features and data

For installation with one sliding door panel with fixed panels on both sides, mounted to ceiling; for 5/16" - 9/16" (8 - 13.5) thick glass.

Max. weight of door panels

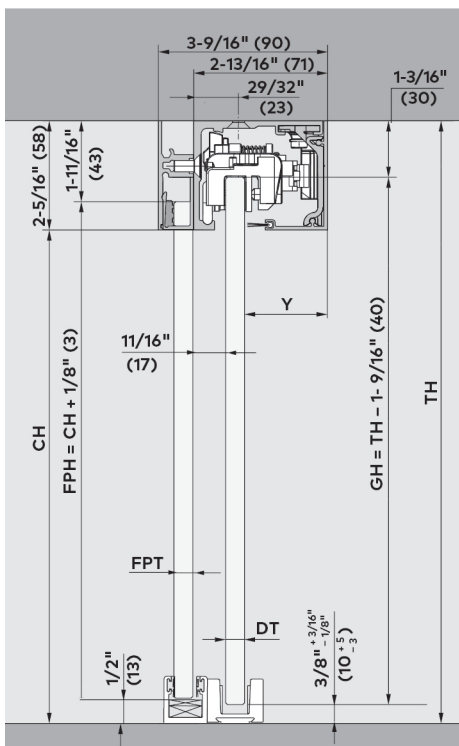
176 lb (80 kg)

Calculation of glass width

$DW = CW + 2-3/8" (60)$

	L 80 DM
min DW	39" (990)
max DW	57" (1448)
	L 80
min DW	26" (660)
max DW	57" (1448)

Mounted to ceiling (CE-S)



Calculation of glass height (CE-S)

$GH = TH - 1-9/16" (40)$

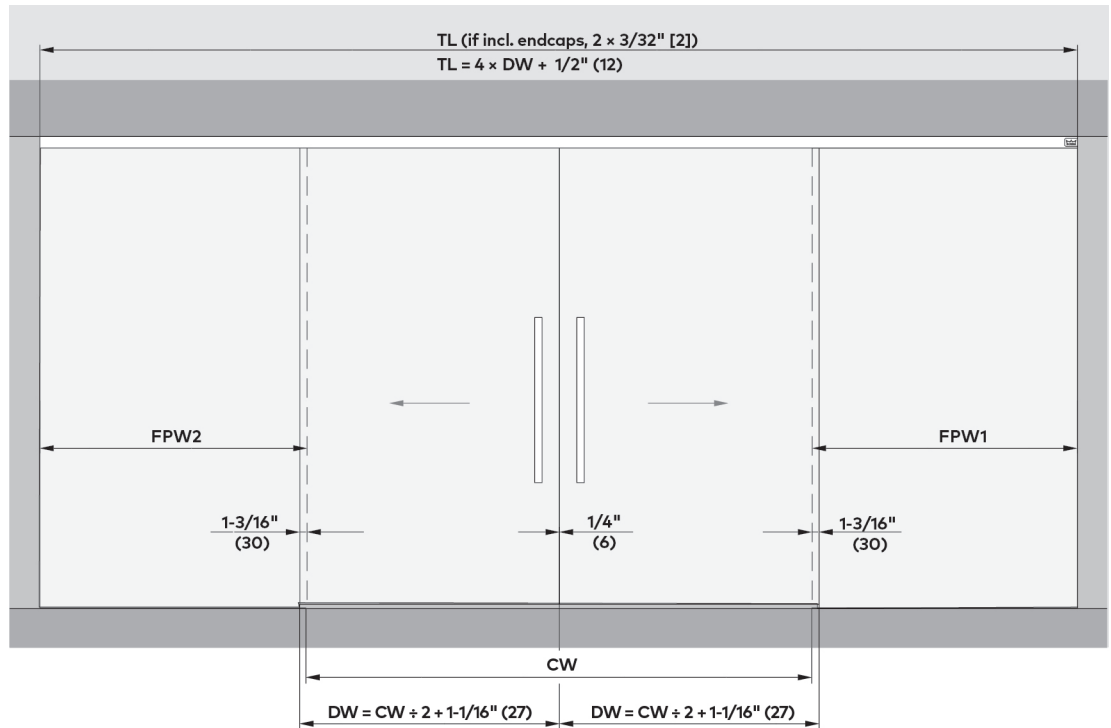
$FPH = CH + 1/8" (3)$

max 118-1/8" (3000)

- DW = Glass width
- TL = Track length
- GH = Glass height sliding door
- FPH = Fixed panel (sidelite) height
- TH = Total height
- CH = Clear opening height
- CW = Clear opening width
- FPW1 = Fixed panel (sidelite) width 1
- FPW2 = Fixed panel (sidelite) width 2
- DT = Door (glass) thickness
- FPT = Fixed panel (glass) thickness
- Y = 2-13/16" (71) - 11/16" (17) - DT

Comfort L 80 DORMOTION (DM) / L 80

Typical assemblies with two sliding panels with fixed panels on both sides



Features and data

For installation with two sliding door panels with fixed panels on both sides; for $5/16'' - 9/16''$ (8 - 13.5) thick glass.

Max. weight of door panels

176 lb (80 kg)

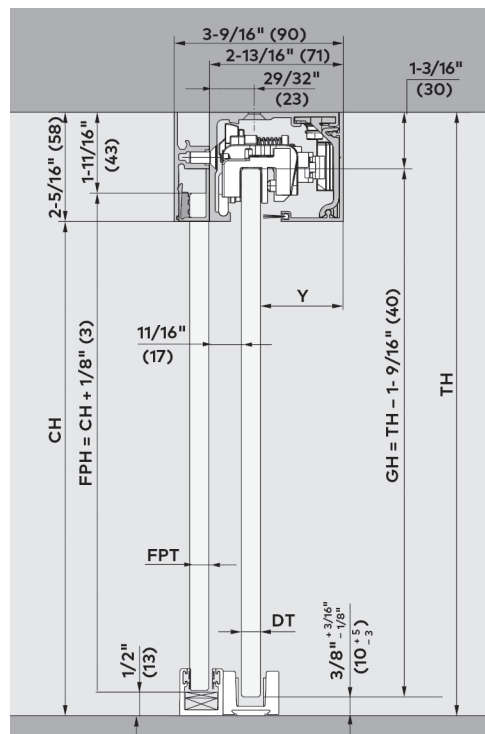
Calculation of glass width

$DW = CW \div 2 + 1-1/16''$ (27)

L 80 DM	
min DW	$2 \times 39''$ (990)
max DW	$2 \times 57''$ (1448)
L 80	
min DW	$2 \times 26''$ (660)
max DW	$2 \times 57''$ (1448)

- DW = Glass width
- TL = Track length
- GH = Glass height sliding door
- FPH = Fixed panel (sidelite) height
- TH = Total height
- CH = Clear opening height
- CW = Clear opening width
- FPW1 = Fixed panel (sidelite) width
- FPW2 = Fixed panel (sidelite) width
- DT = Door (glass) thickness
- FPT = Fixed panel (glass) thickness
- Y = $2-13/16''$ (71) - $11/16''$ (17) - DT

Mounted to ceiling (CE-S)



Calculation of glass height

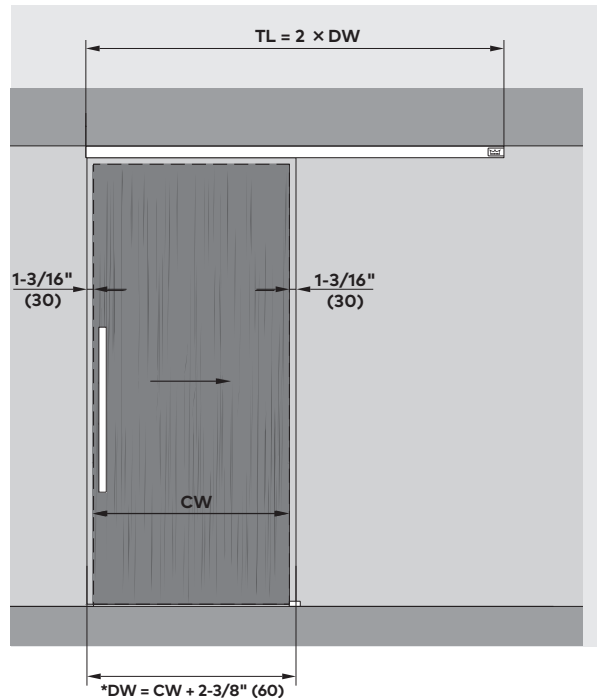
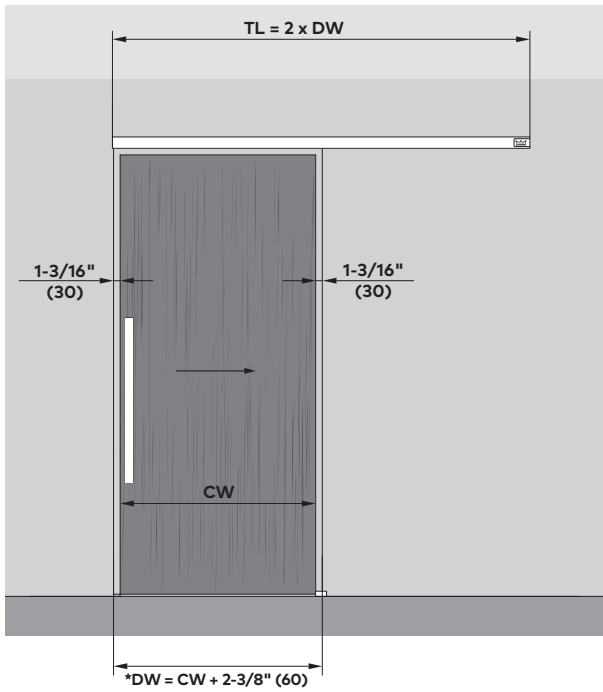
$GH = TH - 1-9/16''$ (40)

$FPH = CH + 1/8''$ (3)

max $118-1/8''$ (3000)

Comfort L 80 DORMOTION (DM) / L 80

Typical assemblies for wood doors



* If single door panel closes against jamb or only overlaps on one side, subtract 1-3/16" (30) from formula.

* If single door panel closes against jamb or only overlaps on one side, subtract 1-3/16" (30) from formula.

Features and data

For installation with wood door;
mounted to wall or ceiling;
for 1-1/8" – 1-31/32" (28 – 50) thick
wood doors.

Max. weight of door panels

176 lb (80 kg)

Calculation of door height

$DH = CH + 3/4" (18) + X$ (wall)

$DH = TH - 3" (76)$ (ceiling)

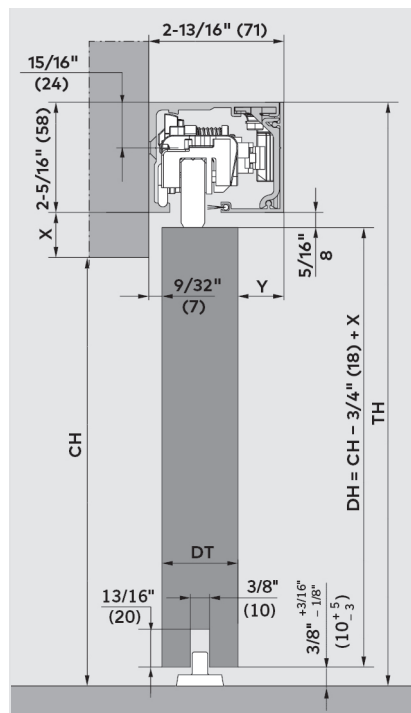
max 118-1/8" (3000)

Calculation of door width

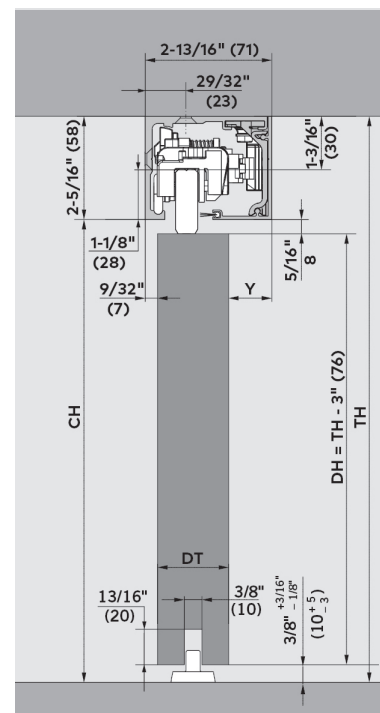
$DW = CW + 2-3/8" (60)$

L 80 DM	
min DW	39" (990)
max DW	60" (1524)
max DW	2 × 60" (1524)
L 80	
min DW	26" (660)
max DW	60" (1524)
max DW	2 × 60" (1524)

Mounted to wall (W)



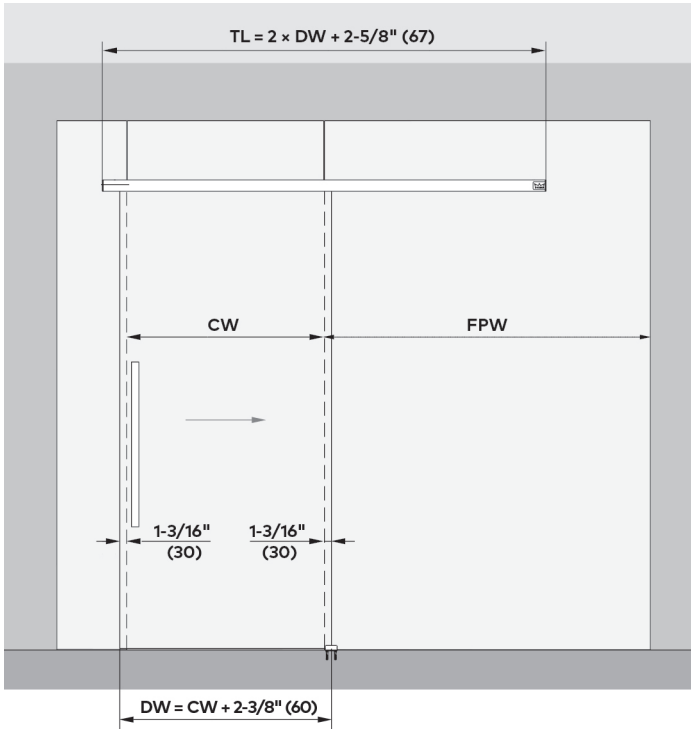
Mounted to ceiling (CE-S)



- DW** = Door width
- TL** = Track length
- TH** = Total height
- CH** = Clear opening height
- CW** = Clear opening width
- DH** = Door height
- DT** = Door (wood) thickness
- Y** = 2-13/16" (71) – 9/32" (7) – DT
- X** = Bottom of track channel to top of clear opening

Comfort L 80 DORMOTION (DM) / L 80

Typical assemblies mounted on glass with one sliding panel



Features and data

For installation with one sliding panel mounted on glass; for 5/16" – 9/16" (8 – 13.5) thick glass

Calculation of glass height

GH = TH – 1-9/16" (40)
max 118-1/8" (3000)

Calculation of glass width

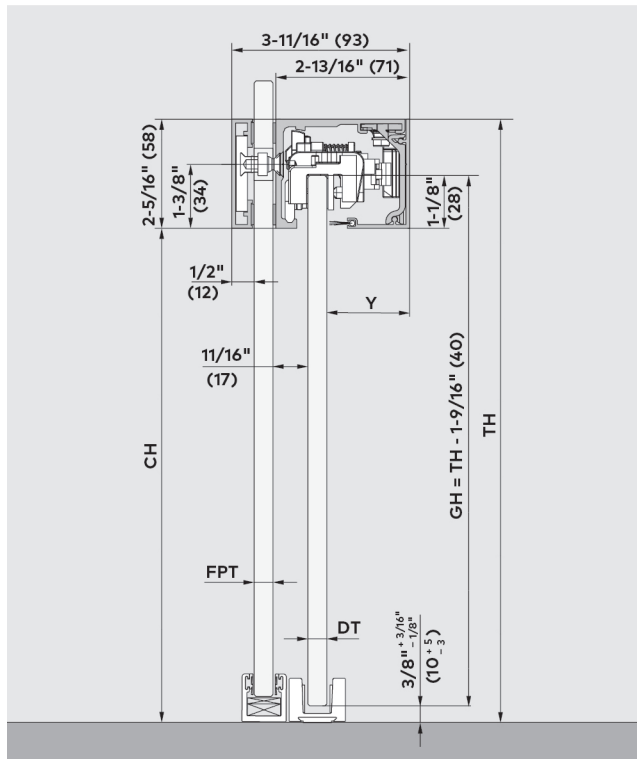
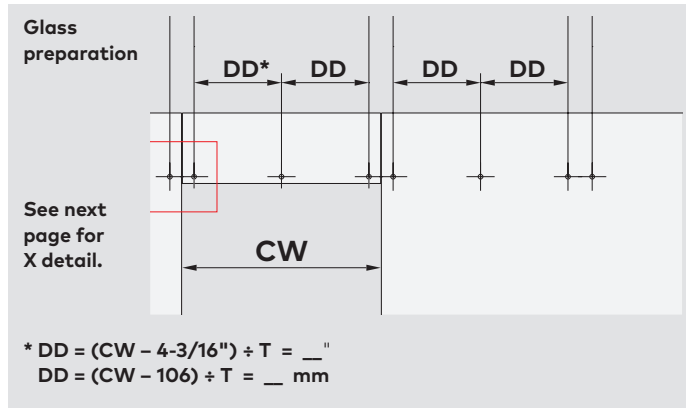
DW = CW + 2-3/8" (60)

Max. weight of door panels

176 lb (80 kg)

	L 80 DM	L 80
min DW	39" (990)	26" (660)
min CW	36-5/8" (930)	23-5/8" (600)
max DW	57" (1448)	57" (1448)
max CW	54-5/8" (1388)	54-5/8" (1388)

Note: To ensure a correct and aligned mounting of the track rail, a full supporting fixed panel must be installed.



Calculation example

DD = (27-9/16" – 4-3/16") ÷ 2 = 11-11/16"
DD = (700 – 106) ÷ 2 = 297

T = Formula Value
Z = Quantity of holes to drill

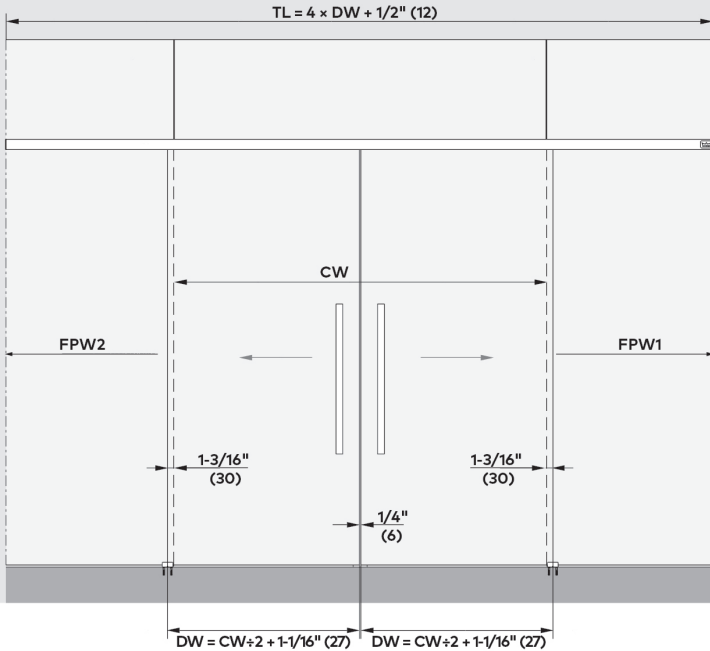
	T	Z
CW ≥ 23-5/8" (600)	2	8
≤ 31-1/2" (800)		
CW > 31-1/2" (800)	3	10
≤ 39-3/8" (1000)		
CW > 39-3/8" (1000)	4	12
≤ 47-1/4" (1200)		
CW > 47-1/4" (1200)	5	14
≤ 54-5/8" (1388)		

The total quantity of holes (Z) depends on clear opening width (CW) and determines the final drilling distance (DD).

- Use the equation to determine (DD) drilling distance (hole spacing) at defined (DD) locations.
- Provide (CW) clear opening width to determine value for (T).
- Insert value for (T) to formula equation to calculate (DD) drilling distance.

Comfort L 80 DORMOTION (DM) / L 80

Typical assemblies mounted on glass with two sliding panels



Features and data

For installation with two sliding panels mounted on glass; for 5/16" – 9/16" (8 – 13.5) thick glass

Max. weight of door panels

176 lb (80 kg)

Calculation of glass height

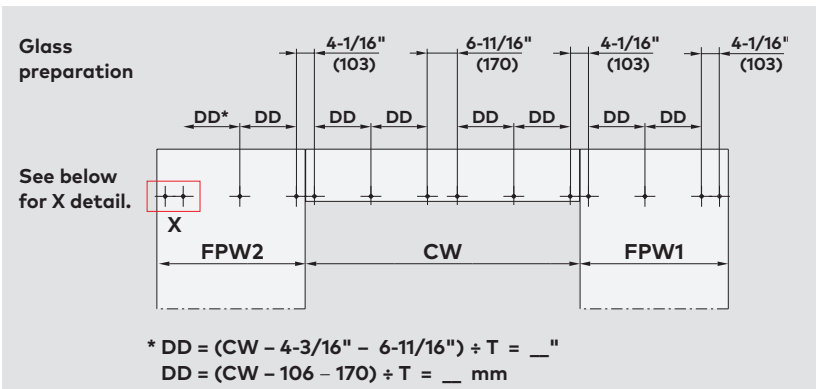
GH = TH – 1-9/16" (40)
max 118-1/8" (3000)

Calculation of glass width

DW = CW ÷ 2 + 1-1/16" (27)

	L 80 DM	L 80
min DW	39" (990)	26" (660)
min CW	75-13/16" (1926)	49-13/16" (1266)
max DW	57" (1448)	57" (1448)
max CW	111-7/8" (2842)	111-7/8" (2842)

Refer to Elevation drawing on previous page.



Calculation example

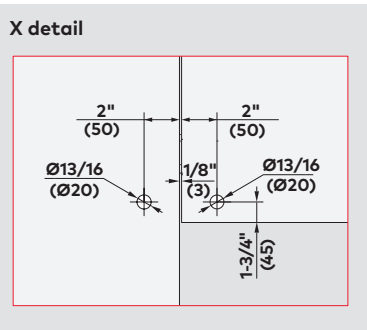
DD = (55-1/8" – 4-3/16" – 6-11/16") ÷ 4 = 11-1/16"
DD = (1400 – 106 – 170) ÷ 4 = 281

	T	Z
CW ≥ 49-13/16" (1266)	4	14
≤ 59-1/16" (1500)		
CW > 59-1/16" (1500)	6	18
≤ 78-3/4" (2000)		
CW > 78-3/4" (2000)	8	22
≤ 111-7/8" (2842)		

T = Formula Value

Z = Quantity of holes to drill

- DW = Glass width
- Z = Quantity of drillings
- TL = Track length
- DD = Drilling distance
- TH = Total height
- CH = Clear opening height
- CW = Clear opening width
- GH = Door height
- FPW1 = Fixed panel (glass) width 1
- FPW2 = Fixed panel (glass) width 2
- T = Formula value to determine DD
- DT = Door (glass) thickness
3/8" – 3/4" (10 – 19)
- FPT = Fixed panel (glass) thickness
- Y = 2-13/16" (71) – 11/16" (17) – DT



The total quantity of holes (Z) depends on clear opening width (CW) and determines the final drilling distance (DD).

- Use the equation to determine (DD) drilling distance (hole spacing) at defined (DD) locations.
- Provide (CW) clear opening width to determine value for (T).
- Insert value for (T) to formula equation to calculate (DD) drilling distance.

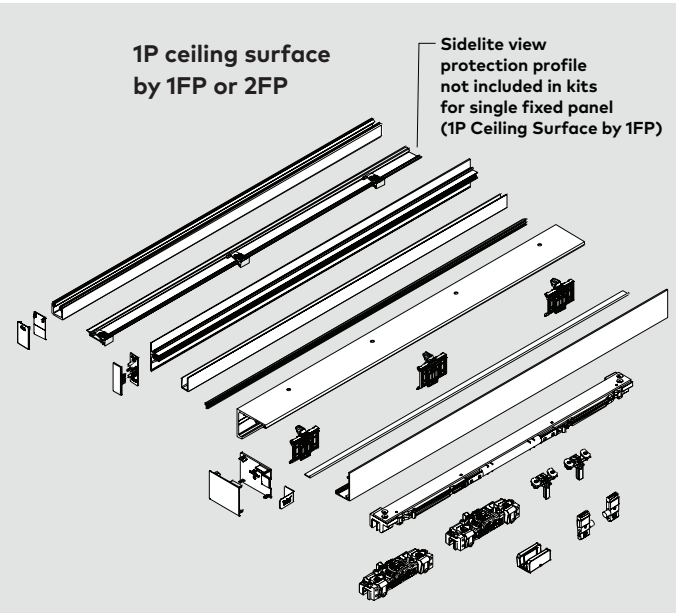
Comfort L 80 DORMOTION (DM) / Comfort L 80

Sliding door sets with one sliding panel and one or two fixed panels, ceiling surface installation

Incl. track/endcaps, cover, cover clips, gasket, end stops, roller carriers, DORMOTION¹, DM start/stops¹, floor guide, sidelite profile and gasket, sidelite filler profile, sidelite endcaps, U-Channel and gasket, and sidelite mounting hardware. (Sidelite view profile included if appropriate.)

Complete accessories for 5/16" – 9/16" (8 – 13.5) thick glass.
L 80 DM / L 80 max 176 lb (80 kg).

¹L 80 set does not include DORMOTION or DM start/stops.

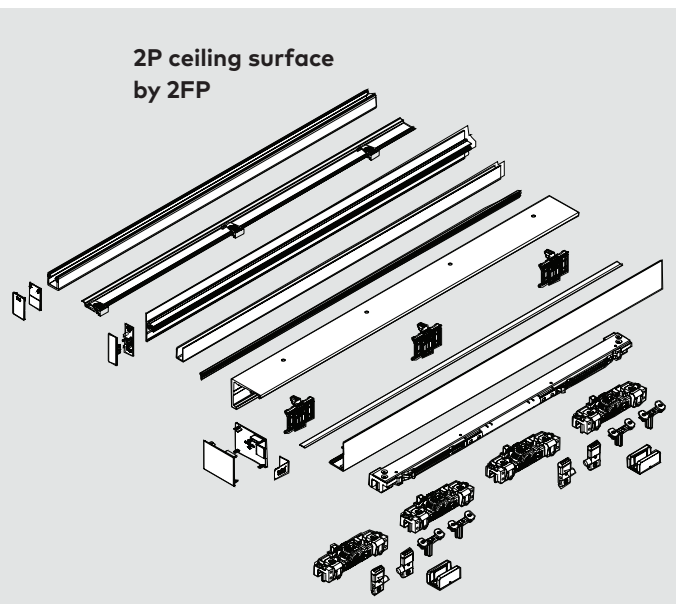


1P ceiling surface by 1FP – Set for ceiling surface installation with one sliding panel and one fixed panel.

	Min panel width	Min clear opening width	Max panel width ²	Max clear opening width ²	Max track length ²	Ref. No.
1P L 80 DM CE-S 1FP						
MTO	39" (990)	36-5/8" (930)	57" (1448)	54-5/8" (1388)	157-1/2" (4000)	236.389
1P L 80 CE-S 1FP						
MTO	26" (660)	23-5/8" (600)	57" (1448)	54-5/8" (1388)	157-1/2" (4000)	236.388

1P ceiling surface by 2FP – Set for ceiling surface installation with one sliding panel and two fixed panels.

	Min panel width	Min clear opening width	Max panel width ²	Max clear opening width ²	Max track length ²	Ref. No.
1P L 80 DM CE-S 2FP						
MTO	39" (990)	36-5/8" (930)	57" (1448)	54-5/8" (1388)	157-1/2" (4000)	236.391
1P L 80 CE-S 2FP						
MTO	26" (660)	23-5/8" (600)	57" (1448)	54-5/8" (1388)	157-1/2" (4000)	236.390



2P ceiling surface by 2FP – Set for ceiling surface installation with two sliding panels and two fixed panels.

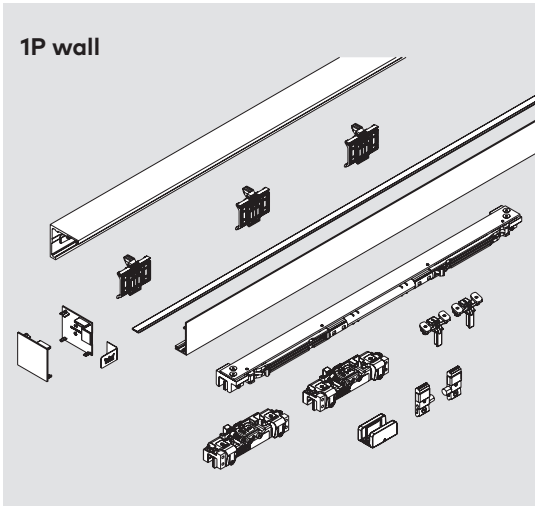
	Min panel width	Min clear opening width	Max panel width ²	Max clear opening width ²	Max track length ²	Ref. No.
2P L 80 DM CE-S 2FP						
MTO	39" (990)	75-13/16" (1926)	57" (1448)	111-7/8" (2842)	157-1/2" (4000)	236.393
2P L 80 CE-S 2FP						
MTO	26" (660)	49-13/16" (1266)	57" (1448)	111-7/8" (2842)	157-1/2" (4000)	236.392

Note: Refer to Component parts section for wood door adapter options.

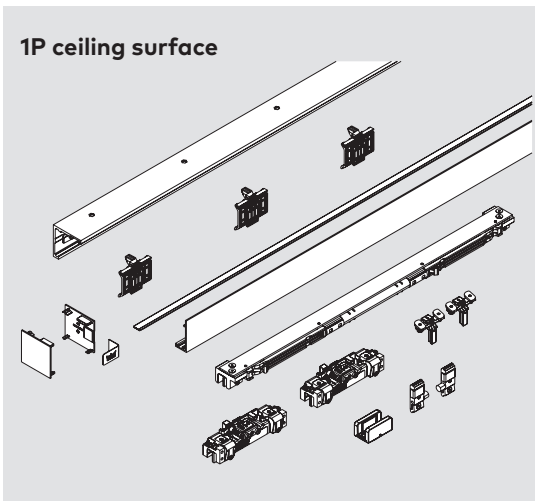
² For 157-1/2" track lengths, only 154" are useable.
Max wood door sizes can be increased by 3" (76), MTO only.

Comfort L 80 DORMOTION (DM) / L 80

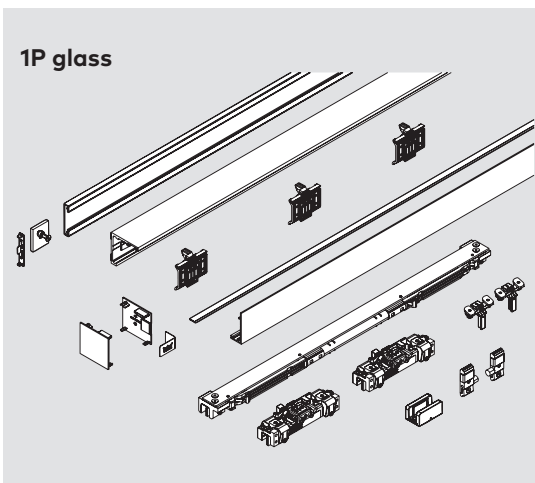
Sliding door sets with one sliding panel



1P wall



1P ceiling surface



1P glass

Incl. track/endcaps, cover, cover clips, gasket, end stops, roller carriers, DORMOTION¹, DM start/stops¹, and floor guide. Complete accessories for 5/16" – 9/16" (8 – 13.5) thick glass.

L 80 DM / L 80 max 176 lb (80 kg)

¹L 80 set does not include DORMOTION or DM start/stops.

1P wall installation – Set for wall installation with one sliding panel.

	Min panel width	Min clear opening width	Max panel width ²	Max clear opening width ²	Max track length ²	Ref. No.
1P L 80 DM W						
STK	39" (990)	36-5/8" (930)	57" (1448)	54-5/8" (1388)	113-3/8" (2880)	836.326
MTO	39" (990)	36-5/8" (930)	57" (1448)	54-5/8" (1388)	157-1/2" (4000)	236.326

1P L 80 W						
STK	26" (660)	23-5/8" (600)	57" (1448)	54-5/8" (1388)	114-3/16" (2900)	836.301
MTO	26" (660)	23-5/8" (600)	57" (1448)	54-5/8" (1388)	157-1/2" (4000)	836.320

1P ceiling surface installation – Set for ceiling surface installation with one sliding panel.

	Min panel width	Min clear opening width	Max panel width ²	Max clear opening width ²	Max track length ²	Ref. No.
1P L 80 DM CE-S						
STK	39" (990)	36-5/8" (930)	57" (1448)	54-5/8" (1388)	113-3/8" (2880)	836.327
MTO	39" (990)	36-5/8" (930)	57" (1448)	54-5/8" (1388)	157-1/2" (4000)	236.327

1P L 80 CE-S						
STK	26" (660)	23-5/8" (600)	57" (1448)	54-5/8" (1388)	114-3/16" (2900)	836.303
MTO	26" (660)	23-5/8" (600)	57" (1448)	54-5/8" (1388)	157-1/2" (4000)	836.321

1P glass installation – Set for glass installation with one sliding panel.

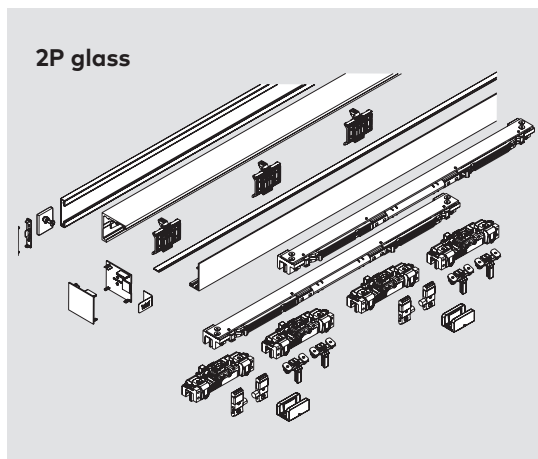
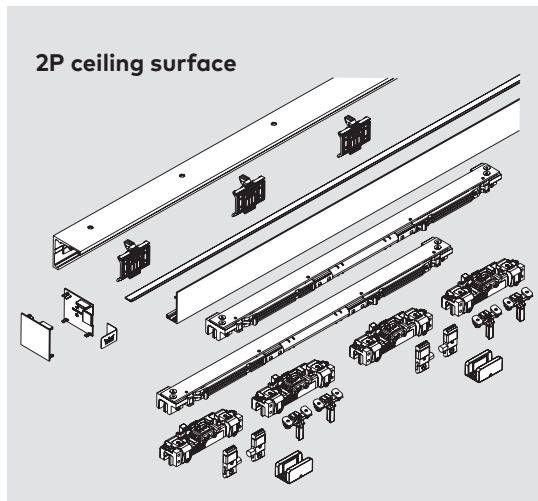
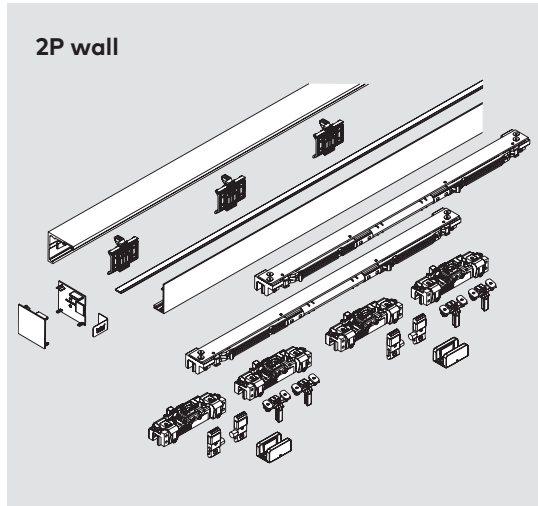
	Min panel width	Min clear opening width	Max panel width ²	Max clear opening width ²	Max track length ²	Ref. No.
1P L 80 DM G						
MTO	39" (990)	36-5/8" (930)	57" (1448)	54-5/8" (1388)	157-1/2" (4000)	236.328
1P L 80 G						
MTO	26" (660)	23-5/8" (600)	57" (1448)	54-5/8" (1388)	157-1/2" (4000)	836.322

Note: Refer to Component parts section for wood door adapter options.

² For 157-1/2" track lengths, only 154" are useable.
Max wood door sizes can be increased by 3" (76), MTO only.

Comfort L 80 DORMOTION (DM) / L 80

Sliding door sets with two sliding panels



Incl. track/endcaps, cover, cover clips, gasket, end stops, roller carriers, DORMOTION¹, DM start/stops¹, and floor guide. Complete accessories for 5/16" – 9/16" (8 – 13.5) thick glass.

L 80 DM / L 80 max 176 lb (80 kg)

¹ L 80 set does not include DORMOTION or DM start/stops.

2P wall installation – Set for wall installation with two sliding panels.

	Min panel width	Min clear opening width	Max panel width ²	Max clear opening width ²	Max track length ²	Ref. No.
2P L 80 DM W						
MTO	39" (990)	75-13/16" (1926)	57" (1448)	111-7/8" (2842)	157-1/2" (4000)	836.329
2P L 80 W						
MTO	26" (660)	49-13/16" (1266)	57" (1448)	111-7/8" (2842)	157-1/2" (4000)	836.323

2P ceiling surface installation – Set for ceiling surface installation with two sliding panels.

	Min panel width	Min clear opening width	Max panel width ²	Max clear opening width ²	Max track length ²	Ref. No.
2P L 80 DM CE-S						
MTO	39" (990)	75-13/16" (1926)	57" (1448)	111-7/8" (2842)	157-1/2" (4000)	836.330
2P L 80 CE-S						
MTO	26" (660)	49-13/16" (1266)	57" (1448)	111-7/8" (2842)	157-1/2" (4000)	836.324

2P glass installation – Set for glass installation with two sliding panels.

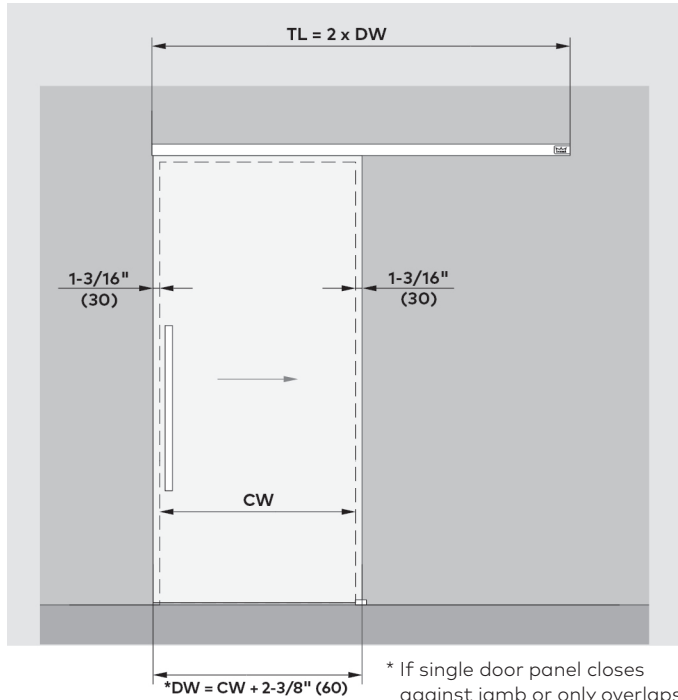
	Min panel width	Min clear opening width	Max panel width ²	Max clear opening width ²	Max track length ²	Ref. No.
2P L 80 DM G						
MTO	39" (990)	75-13/16" (1926)	57" (1448)	111-7/8" (2842)	157-1/2" (4000)	836.331
2P L 80 G						
MTO	26" (660)	49-13/16" (1266)	57" (1448)	111-7/8" (2842)	157-1/2" (4000)	836.325

² For 157-1/2" track lengths, only 154" are useable.
Max wood door sizes can be increased by 3" (76), MTO only.

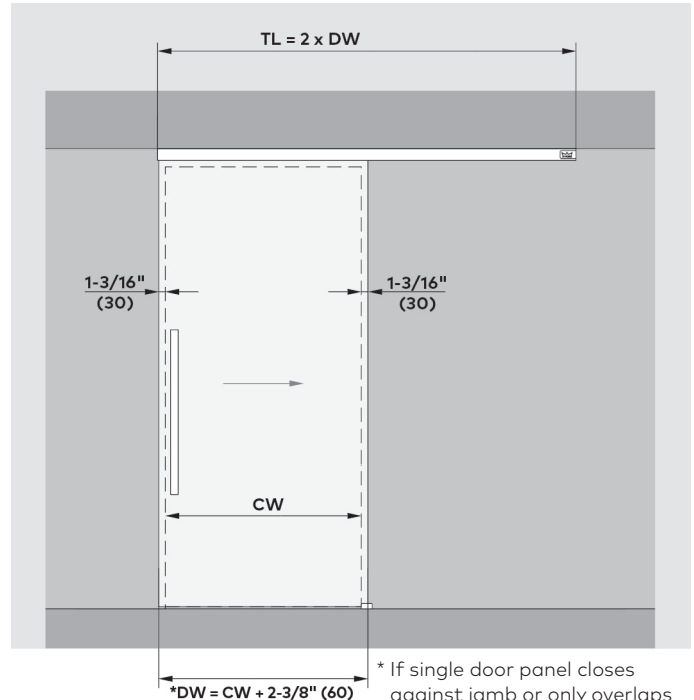
Note: Refer to Component parts section for wood door adapter options.

Comfort M 50 DORMOTION (DM) / M 50

Typical assemblies mounted to wall and to ceiling



* If single door panel closes against jamb or only overlaps on one side, subtract 1-3/16" (30) from formula.



* If single door panel closes against jamb or only overlaps on one side, subtract 1-3/16" (30) from formula.

Features and data

For installation with one sliding door panel mounted to wall; for 5/16" - 3/8" (8-10) thick glass

Max. weight of door panels

110 lb (50 kg)

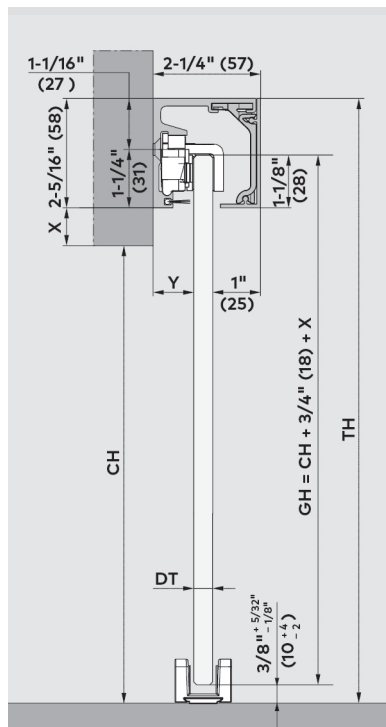
Calculation of glass width

$DW = CW + 2-3/8" (60)$

	M 50 DM	M 50
min DW	35-5/8" (905)	26" (660)
max DW	42" (1067)	42" (1067)

- DW = Glass width
- TL = Track length
- GH = Glass height
- TH = Total height
- CH = Clear opening height
- CW = Clear opening width
- DT = Door (glass) thickness
- Y = 2-1/4" (57) - 1" (25) - DT
- X = Bottom of track channel to top of clear opening

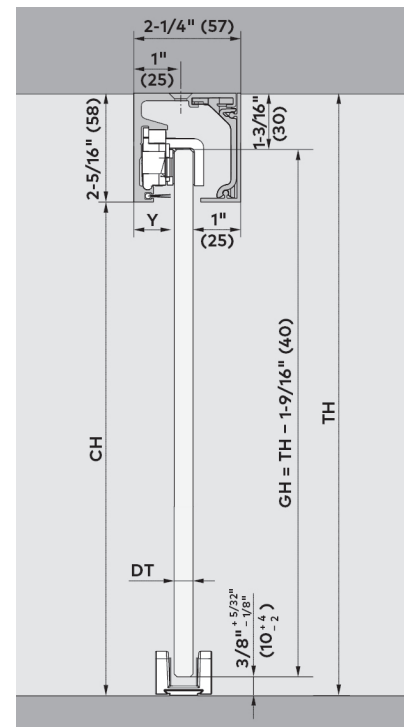
Mounted to wall (W)



Calculation of glass height

$GH = CH + 3/4" (18) + X$
max 84" (2134)

Mounted to ceiling (CE-S)

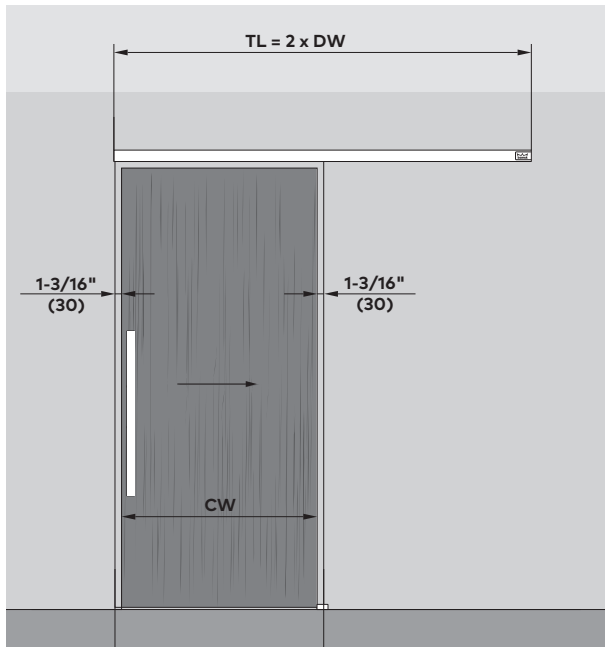


Calculation of glass height

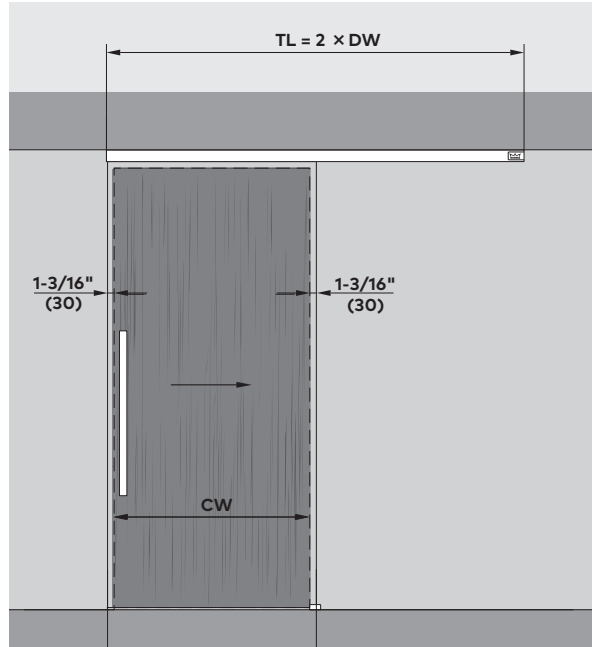
$GH = TH - 1-9/16" (40)$
max 84" (2134)

Comfort M 50 DORMOTION (DM) / M 50

Typical assemblies for wood doors



* If single door panel closes against jamb or only overlaps on one side, subtract 1-3/16" (30) from formula.



* If single door panel closes against jamb or only overlaps on one side, subtract 1-3/16" (30) from formula.

Features and data

For installation with wood door sliding panel; mounted to wall or ceiling; for 1-1/8" – 1-31/32" (28 – 50) thick wood doors

Max. weight of door panels

110 lb (50 kg)

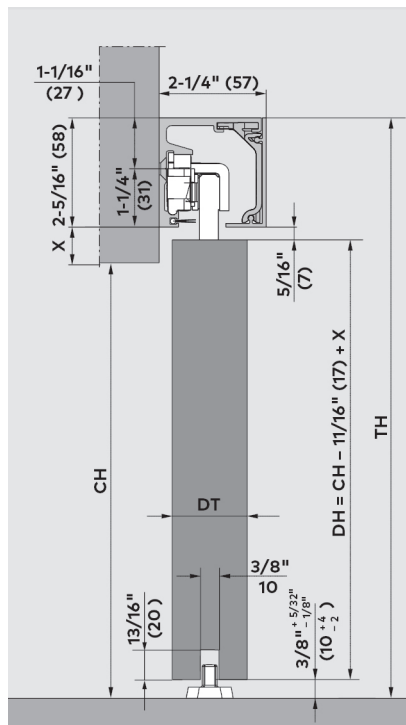
Calculation of door width

$$DW = CW + 2-3/8" (60)$$

	M 50 DM	M 50
min DW	35-5/8" (905)	26" (660)
max DW	42" (1067)	42" (1067)

- DW = Door width
- TL = Track length
- TH = Total height
- CH = Clear opening height
- CW = Clear opening width
- DH = Door height
- DT = Door (wood) thickness
- X = Bottom of track channel to top of clear opening

Mounted to wall (W)

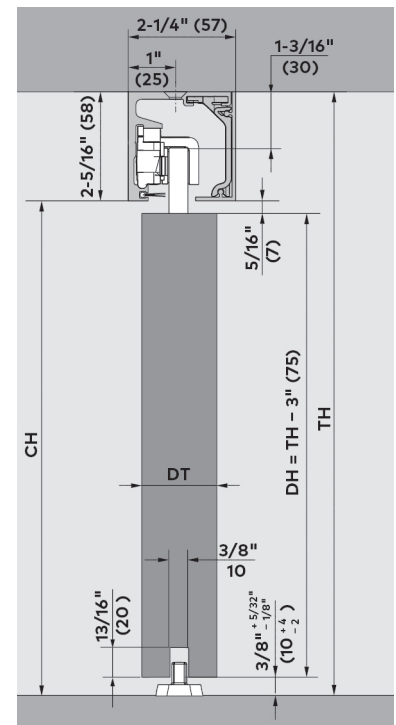


Calculation of door height

$$DH = CH - 11/16" (17) + X$$

max 84" (2134)

Mounted to ceiling (CE-S)



Calculation of door height

$$DH = TH - 3" (75)$$

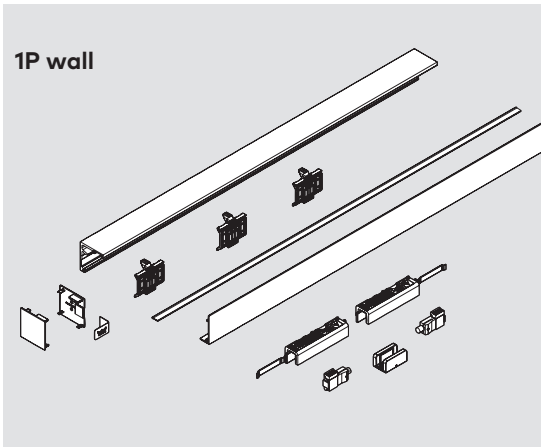
max 84" (2134)

Comfort M 50 DORMOTION (DM) / M 50

Sliding door sets with one sliding panel

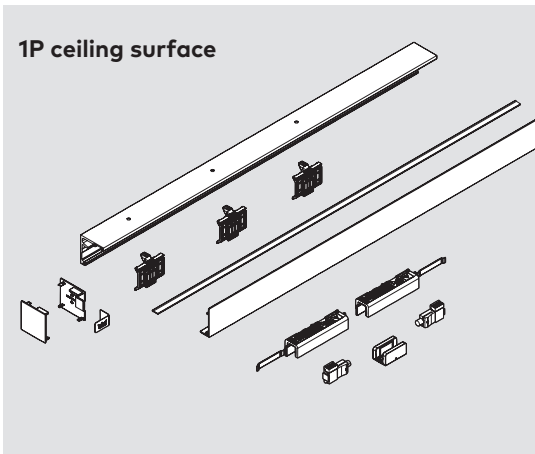
Incl. track/endcaps, cover, cover clips, gasket, end stops, roller carriers, and floor guide. Complete accessories for 5/16"-3/8" (8 -10) thick glass.

M 50 DM¹ / M 50 max 110 lb (50 kg)



1P wall installation – Set for wall installation with one sliding panel.

	Min panel width	Min clear opening width	Max panel width ²	Max clear opening width ²	Max track length ²	Ref. No.
1P M 50 DM W (DM optional)¹						
STK	35-5/8" (905)	33-1/4" (845)	42" (1067)	39-5/8" (1007)	157-1/2" (4000)	836.106
1P M 50 W						
STK	26" (660)	23-5/8" (600)	42" (1067)	39-5/8" (1007)	157-1/2" (4000)	836.106



1P ceiling surface installation – Set for ceiling surface installation with one sliding panel.

	Min panel width	Min clear opening width	Max panel width ²	Max clear opening width ²	Max track length ²	Ref. No.
1P M 50 DM CE-S (DM optional)¹						
STK	35-5/8" (905)	33-1/4" (845)	42" (1067)	39-5/8" (1007)	157-1/2" (4000)	836.107
1P M 50 CE-S						
STK	26" (660)	23-5/8" (600)	42" (1067)	39-5/8" (1007)	113-3/8" (2880)	836.107

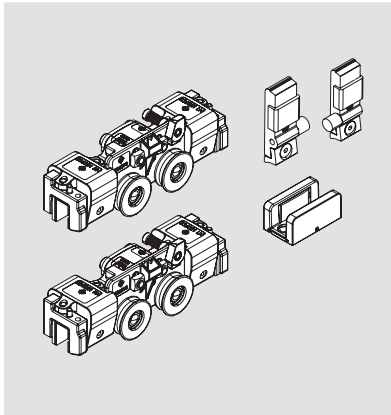
¹ For MUTO Comfort M 50 with DORMOTION, accessory option Ref. No. 836.153 must be added as an add.

² Track length is 113-3/8" (2880).

³ For MUTO Comfort M 50 wood door kit, order accessory option: Ref. No. 836.157.

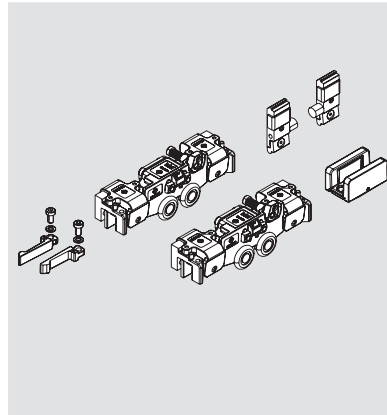
Component parts

Roller accessory kit, complete



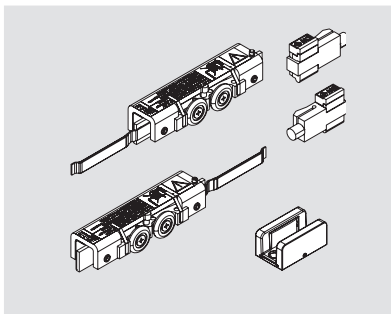
Premium XL 150/120/80 roller carriers
 Accessory set for XL 150 DM, XL 150, XL 120 SC, XL 80 DM
 Consisting of: 2 clamp carriers, 2 endstops, 1 floor guide, and non-DM hooks.

Ref. No. 836.550



Comfort L 80 roller carriers
 Accessory set for use with L 80 DM and L 80.
 Consisting of: 2 clamp carriers, 2 endstops, non-DM hook, and 1 floor guide

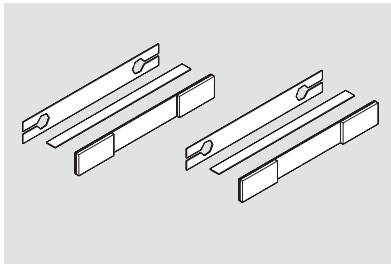
Ref. No. 36.349



Comfort M 50 accessory set
 For use with M 50 or M 50 with optional DM
 Consisting of 2 clamp carriers, 2 endstops, 1 floor guide, and hooks for non-DM units

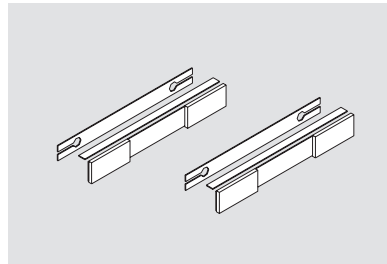
Ref. No. 836.150

Gasket sets



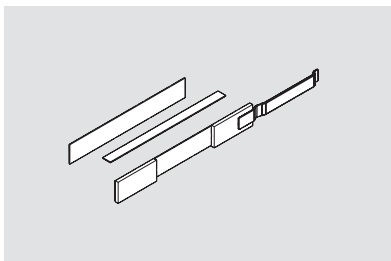
Premium XL 150/120/80 roller gaskets
 Gasket set to service roller carriers for XL 150 DM, XL 150, XL 120 SC, XL 80 DM

Ref. No. 836.451



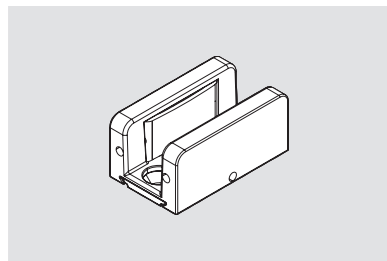
Comfort L 80 roller gasket set
 Gasket set to service roller carriers

Ref. No. 836.251



Comfort M 50 roller carrier gasket set
 For use with M50 or M 50 with optional DM

Ref. No. 836.151

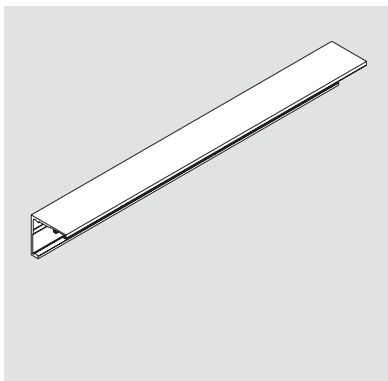


MUTO glass door floor guide
 Adjustable 5/16" – 17/32" (8 – 13)

Ref. No. 807.316

Component parts

Track and cover extrusions – XL 150/80 Systems



Premium XL 150/80 wall track

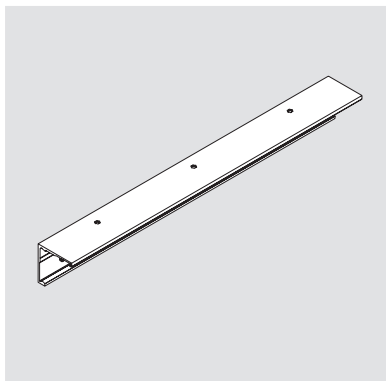
Track rail for wall installation for XL 150 DM, XL 150, XL 80 DM

Fixed length 157-1/2" (4000)

Ref. No. 936.552

Specify length (by ft.)

Ref. No. 836.553



Premium XL 150/80 ceiling fixed panel track

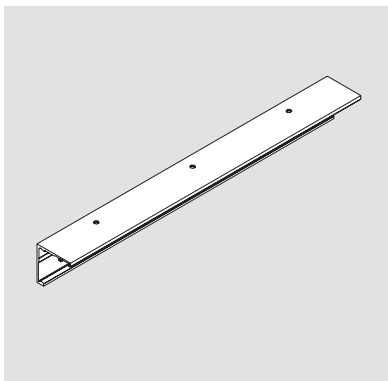
Track rail for ceiling, fixed panel surface mount for XL 150 DM, XL 150, XL 80 DM

Fixed length 157-1/2" (4000)

Ref. No. 936.562

Specify length (by ft.)

Ref. No. 936.563



Premium XL 150/80 ceiling track

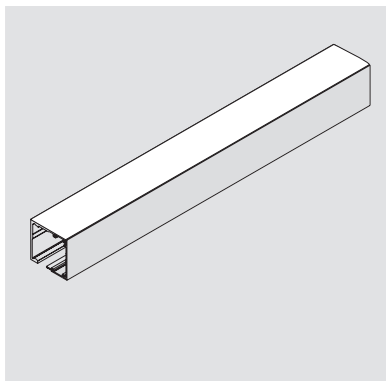
Track rail for ceiling, surface mount for XL 150 DM, XL 150, XL 80 DM

Fixed length 157-1/2" (4000)

Ref. No. 936.554

Specify length (by ft.)

Ref. No. 836.555



Premium XL 150/80 cover

Cover profile for DORMOTION front cover for XL 150 DM, XL 150, XL 80 DM

Fixed length 157-1/2" (4000)

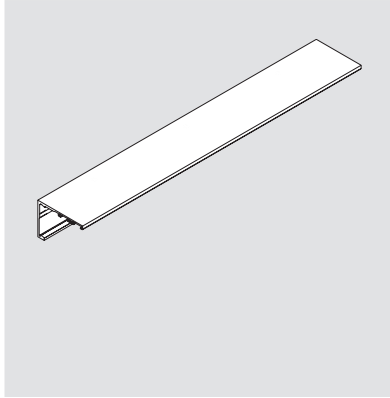
Ref. No. 936.566

Specify length (by ft.)

Ref. No. 836.567

Component parts

Track and cover extrusions – XL 120 Systems



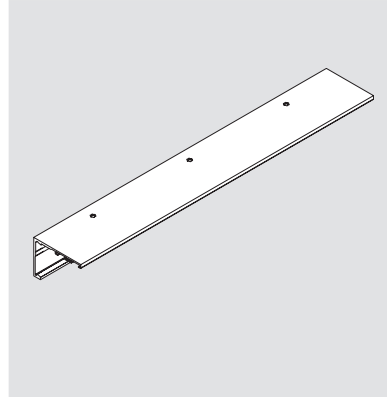
Premium XL 120 SC wall track

Track rail for XL 120 Self-Closing (SC) function for wall installation

Fixed length
157-1/2" (4000)

Ref. No. 936.850

Specify length (by ft.)
Ref. No. 836.651



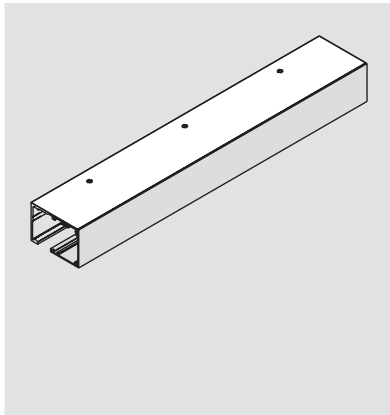
Premium XL 120 SC ceiling track

Track rail for ceiling surface mount for XL 120 Self-Closing (SC) function

Fixed length
157-1/2" (4000)

Ref. No. 936.852

Specify length (by ft.)
Ref. No. 836.653



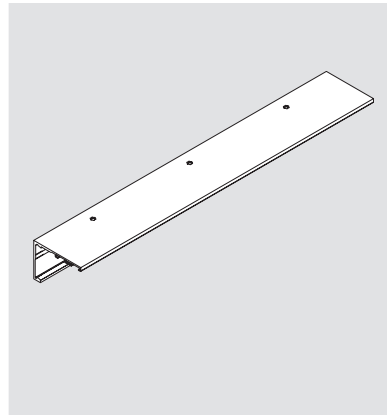
Premium XL 120 cover profile

Cover profile for XL 120 Self-Closing function front cover

Fixed length
157-1/2" (4000)

Ref. No. 936.854

Specify length (by ft.)
Ref. No. 836.655



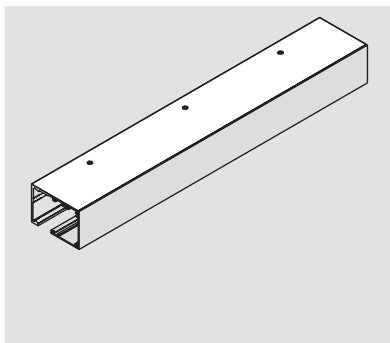
Premium XL 120 SC ceiling fixed panel track

Track rail for ceiling, fixed panel surface mount XL 120 Self-Closing (SC)

Fixed length
157-1/2" (4000)

Ref. No. 936.856

Specify length (by ft.)
Ref. No. 936.857



Premium XL 120 track front cover profile kit (CE-R)

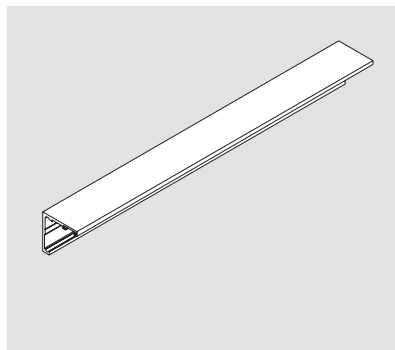
Fixed length
157-1/2" (4000)

Ref. No. 936.656

Specify length (by ft.)
Ref. No. 936.657

Component parts

Track and cover extrusions – L 80 Systems



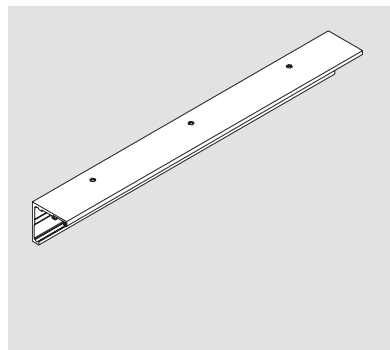
Comfort L 80 wall track

Track rail for L 80 DM and L 80 wall installation

Fixed length 157-1/2" (4000)

Ref. No. 936.350

Specify length (by ft.)
Ref. No. 836.351



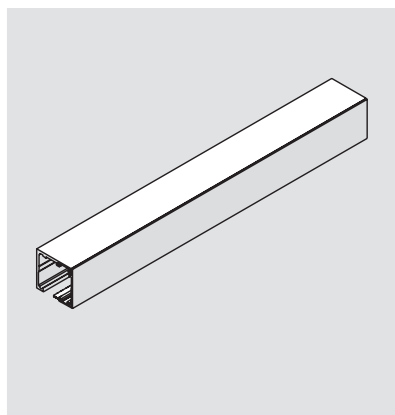
Comfort L 80 ceiling track

Track rail for L 80 DM and L 80 ceiling installation

Fixed length 157-1/2" (4000)

Ref. No. 936.352

Specify length (by ft.)
Ref. No. 836.353



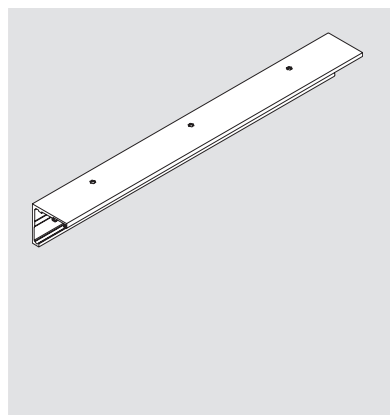
Comfort L 80 cover

Cover profile for L 80 DM and L 80

Fixed length 157-1/2" (4000)

Ref. No. 936.359

Specify length (by ft.)
Ref. No. 836.360



Comfort L 80 ceiling fixed panel track

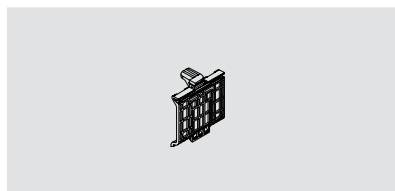
Track rail for ceiling, fixed panel surface mount for L 80 DM and L 80 ceiling installation

Fixed length 157-1/2" (4000)

Ref. No. 936.361

Specify length (by ft.)
Ref. No. 936.362

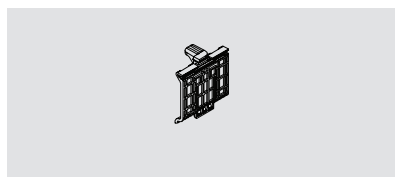
Cover clips



Cover clip for Premium XL systems

Ea.

Ref. No. 836.146



Cover clip for Comfort L and M systems

Ea.

Ref. No. 836.147

Fasteners packs

#12 fasteners and anchors (5 ea.) for mounting MUTO track profile.

Pk.

Ref. No. 936.995

M6x14 for mounting sidelite profile or drop ceiling profile.

Pk.

Ref. No. 807.585

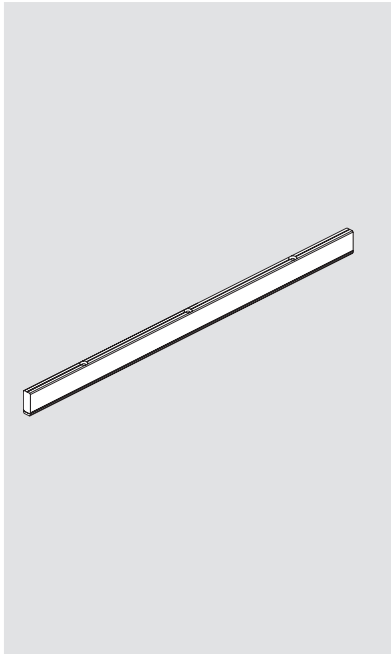
M6x35 for mounting drop ceiling profile.

Pk.

Ref. No. 836.585

Component parts

Wood adapter sets



Premium XL 150 wood door kit

Wood door adapter set for use with all XL systems; incl. mounting screws, wood door guide(s), and shim for XL mount

Profile:
 $1/2" \times 1-7/16" + 1/2" \times 3/16"$
 (12.5 x 36 + 12.5 x 4)

Fixed full length
 157-1/2" (4000)

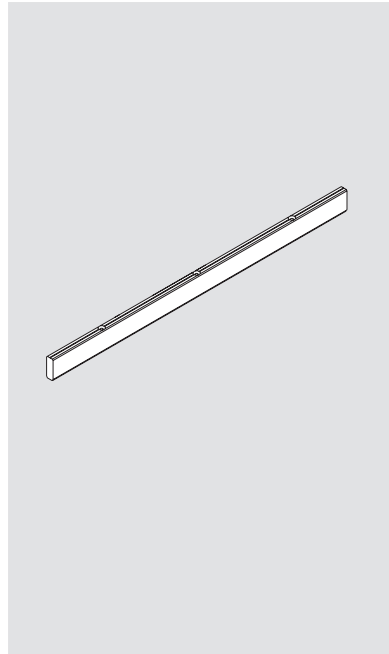
Ref. No. 936.463

Fixed half length
 78-3/4" (2000)

Ref. No. 936.461

Specify length (by ft.)

Ref. No. 936.464



Comfort L 80 wood door kit

Wood door adapter set for L 80 DM and L 80; incl. mounting screws and wood door guide(s)

Profile:
 $1/2" \times 1-7/16"$ (12.5 x 36)

Fixed full length
 157-1/2" (4000)

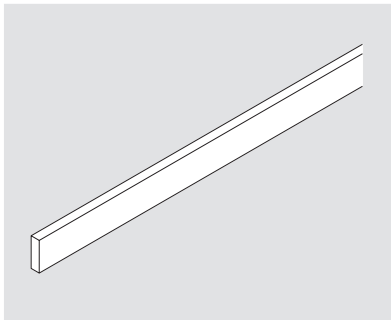
Ref. No. 936.262

Fixed half length
 78-3/4" (2000)

Ref. No. 936.261

Specify length (by ft.)

Ref. No. 936.263



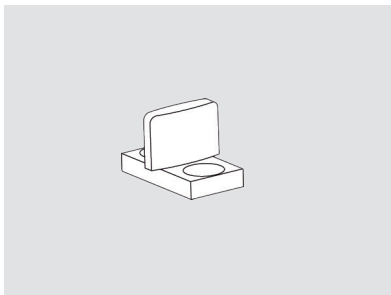
Comfort M 50 wood door kit

Wood door adapter set

Profile:
 $1/2" \times 1-3/8"$ (10 x 35)
 incl. mounting screws,
 and wood door floor
 guide

Ref. No. 836.157

Wood door floor guide



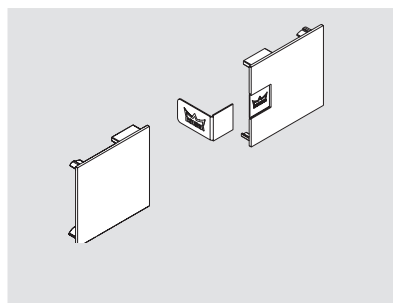
MUTO wood door floor guide

Adjustable
 $5/16" - 17/32"$ (8 - 13)

Ref. No. 836.148

Component parts

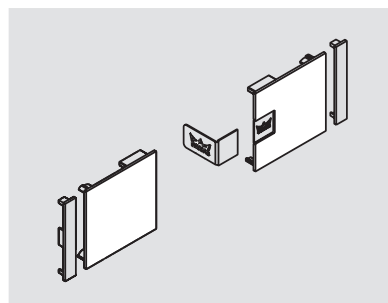
Endcaps



Premium XL 150/80 endcaps

Set endcaps for wall and ceiling installation for XL 150 DM, XL 150, XL 80 DM

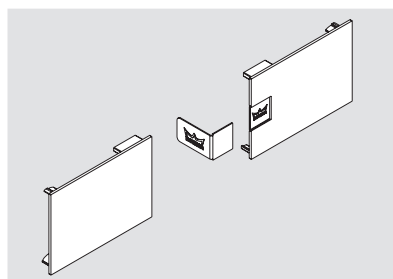
Ref. No. 836.556



Premium XL 150/80 glass mount endcaps

Set endcaps for installation on glass for XL 150 DM, XL 150, XL 80 DM

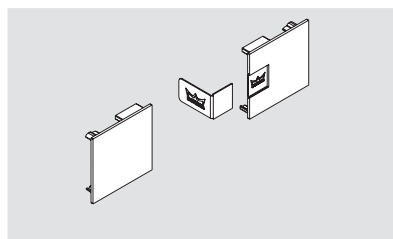
Ref. No. 836.460



Premium XL 120 Self-Closing endcaps

Set endcaps for XL 120 SC for wall and ceiling installation

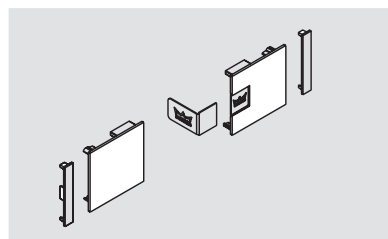
Ref. No. 836.656



Comfort L 80 endcaps

Set endcaps for wall and ceiling installation for L 80 DM and L 80

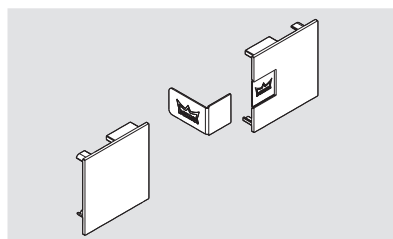
Ref. No. 836.354



Comfort L 80 glass mount endcaps

Set endcaps for installation on glass for L 80 DM and L 80

Ref. No. 836.260

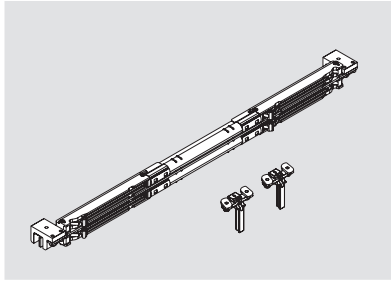


Comfort M 50 endcaps

Endcaps set for use with M50 or M 50 with optional DM

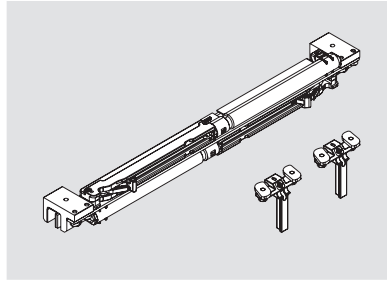
Ref. No. 836.152

DORMOTION accessories



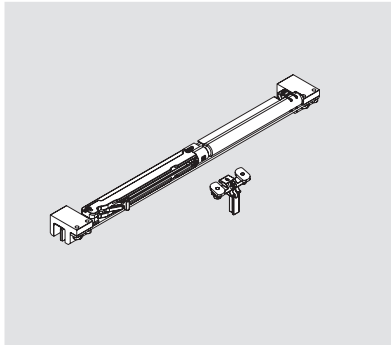
Premium XL 150 DORMOTION unit
 DORMOTION unit for max. 330 lb (150 kg), with set of DM start/stops (min glass width 40-1/8" [1020])

Ref. No. 836.558



Premium XL 80 DORMOTION unit
 DORMOTION unit for max. 176 lb (80 kg), with set of DM start/stops (min glass width 31-7/8" [810])

Ref. No. 836.557



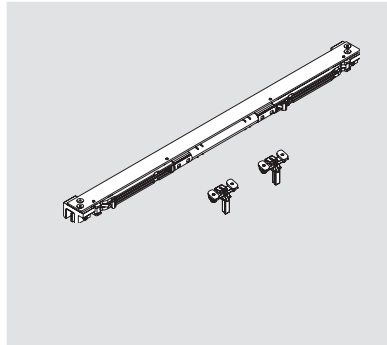
Premium XL 120 DORMOTION unit
 for Self-Closing function (closing direction only) for max 264 lb (120 kg) with DM start/stop

Opening to right side (RH)

Ref. No. 836.660

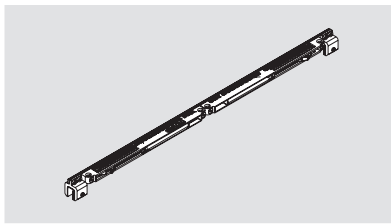
Opening to left side (LH)

Ref. No. 836.661



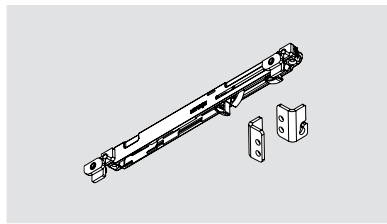
Comfort L 80 DORMOTION unit
 L 80 DORMOTION spring cushioning unit for max 176 lb (80 kg) with set of start/stops

Ref. No. 836.355



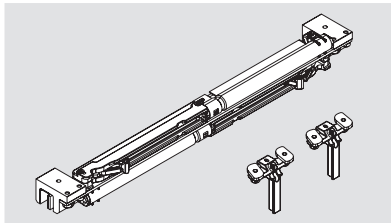
Comfort M 50 DM set
 Optional DORMOTION unit, incl. DM start/stop

Ref. No. 836.153



Premium XL 120 SC DMSC Accessory Set
 Includes DORMOTION Cushion and 1 DM start/stop

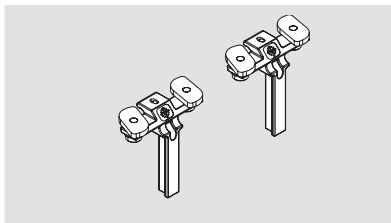
Ref. No. 836.666



Premium XL 80 TEL DM Accessory Set
 Includes DORMOTION Cushion and 2 DM start/stops

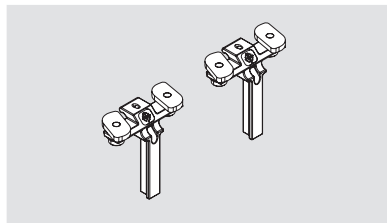
Ref. No. 836.786

DORMOTION start/stop kits



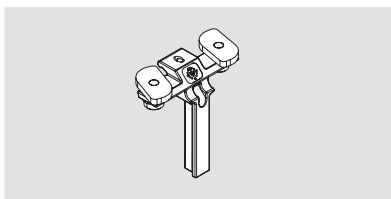
Premium XL DM start/stop set
 DORMOTION start/stop set

Ref. No. 836.559



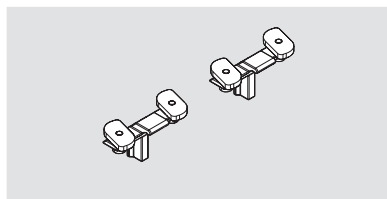
Comfort L 80 DM start/stop set
 L 80 DORMOTION start/stop set

Ref. No. 836.356



Premium XL 120 Self-Closing start/stop
 For Self-Closing DORMOTION
 One piece service part

Ref. No. 836.662

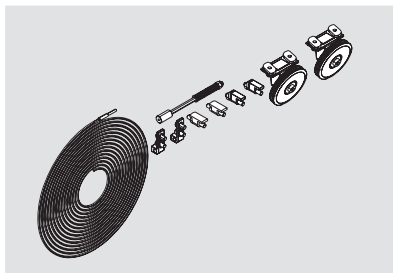


Comfort M 50 DM start/stop set
 Service part

Ref. No. 836.154

Component parts

Synchro accessories



Premium XL 150 Synchro set (wire, pulley etc.)
 Synchro set complete with accessories (Not compatible with XL 150 DM)
Ref. No. 836.560



Comfort Synchro service wire
 Replacement wire for Synchro set
Ref. No. 836.358

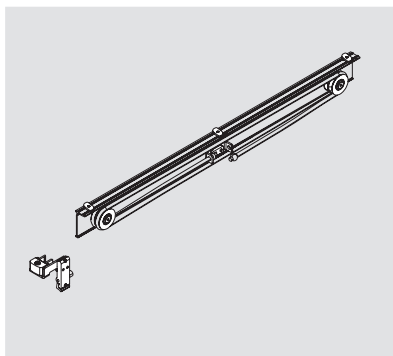


Comfort L 80 Synchro set (wire, pulley etc.)
 Synchro set complete with accessories
Ref. No. 836.357

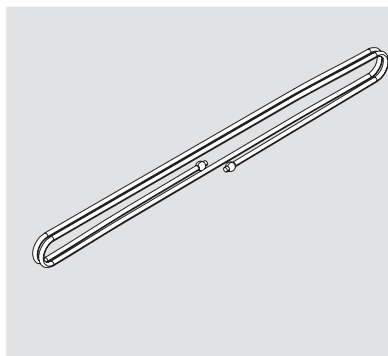


Premium XL 80 TEL service cable
 Replacement wire; not compatible with Synchro Cable
 (Extended lead-time)
Ref. No. 836.515.001.55 (LH)
836.515.002.55 (RH)

Self-Closing accessories

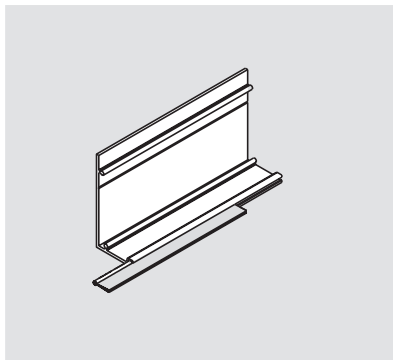


Premium XL 120 Self-Closing assembly
 Flexi-cable unit for Self-Closing function, complete with accessories
 Opening to right side (RH)
Ref. No. 836.657
 Opening to left side (LH)
Ref. No. 836.658

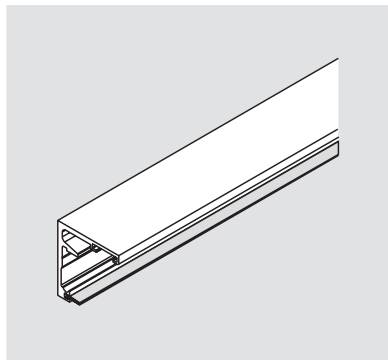


Premium XL 120 Self-Closing flexi-cable
 Flexi-cable for Self-Closing function
 Service part
Ref. No. 836.659

Brush profiles



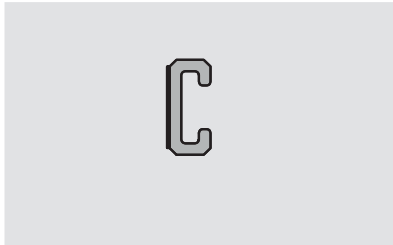
Comfort brush profile
 Brush profile (slides into cover groove)
 Specify length (by ft.)
 for 5/16" – 3/8" (8 – 10) glass
Ref. No. 836.912
 for 1/2" – 9/16" (12 – 13.5) glass
Ref. No. 836.913



Comfort cover brush
 Brush profile for 5/16" – 3/8" (8 – 10)
Ref. No. 807.424
Note: For M 50, brush attaches to track.

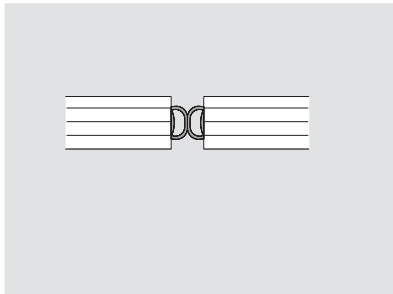
Component parts

Brush seal carrier

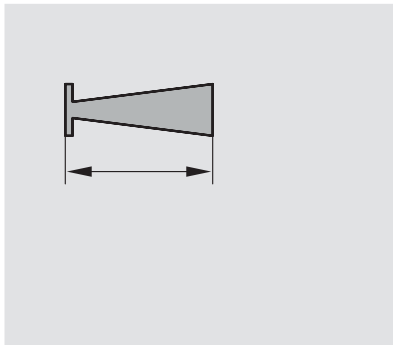


Premium/Comfort carrier profile
 For vertical brush seal, aluminum color
 Stock length 177-1/8" (4.5 m)
Ref. No. 836.826

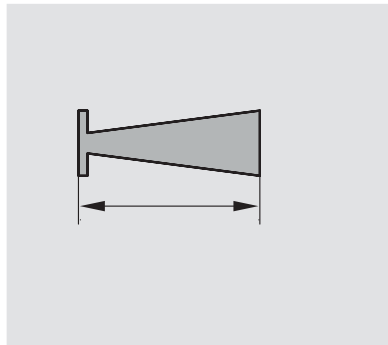
Brush seals for XL 80 TEL



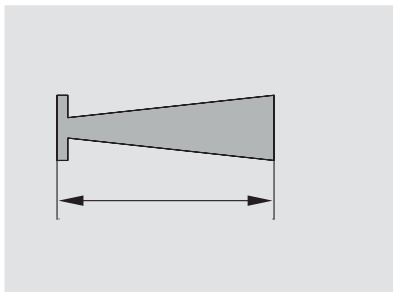
Premium/Comfort Vertical Bulb/Tubular Seal
 For leading edge of glass to jamb/glass to glass; clear-frost
 Specify length (by ft.) (2x required for pairs)
Ref. No. 815.509



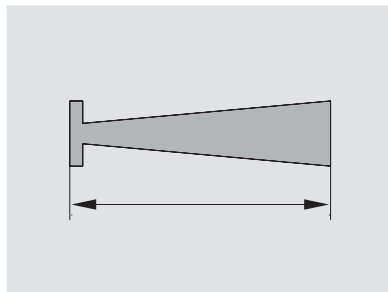
Premium/Comfort Vertical Brush Seal
 For gaps 1/2"–5/8" (13–16) ; grey
 Specify length (by ft.)
Ref. No. 836.860



Premium/Comfort Vertical Brush Seal
 For gaps >5/8"–3/4" (>16–19) ; grey
 Specify length (by ft.)
Ref. No. 836.861



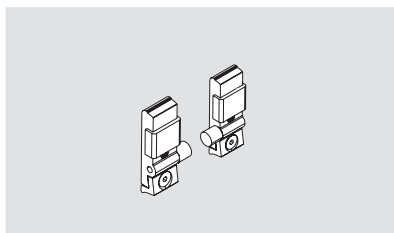
Premium/Comfort Vertical Brush Seal
 For gaps >3/8"–29/32" (>19–23) ; grey
 Specify length (by ft.)
Ref. No. 836.862



Premium/Comfort Vertical Brush Seal
 For gaps >29/32"–1-1/16" (>23–27) ; grey
 Specify length (by ft.)
Ref. No. 836.863

Component parts

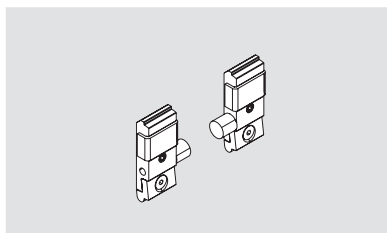
Endstops



Premium XL 150/120/80 endstops

Endstop set, 2 pieces, for use with XL 150 DM, XL 150, XL 120 SC, XL 80 DM

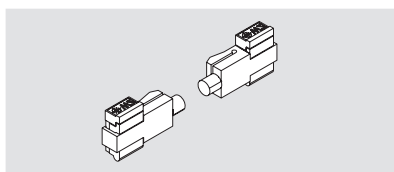
Ref. No. 836.465



Comfort L 80 endstop set

Endcap set
2 pieces for use with L 80 DM or L 80

Ref. No. 836.267

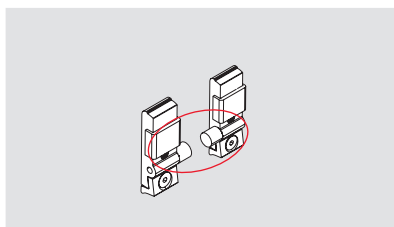


Comfort M 50 endstops

Endstop set, 2 pieces for use with M 50 or M 50 with optional DM

Ref. No. 836.158

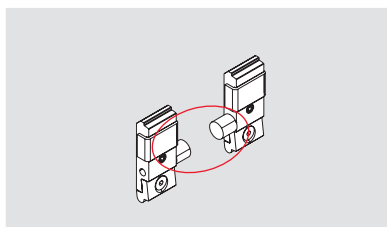
Bumper sets



Premium XL 150/120/80 bumper set

Set of 2 bumpers; used in endstops for XL 150/120/80

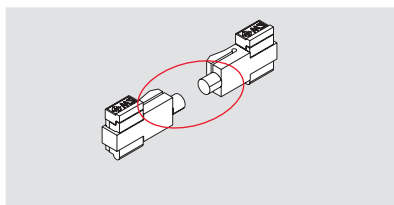
Ref. No. 836.466



Comfort L 80 bumper set

Set of 2 bumpers; used in endstops for L 80 DM or L 80

Ref. No. 836.268

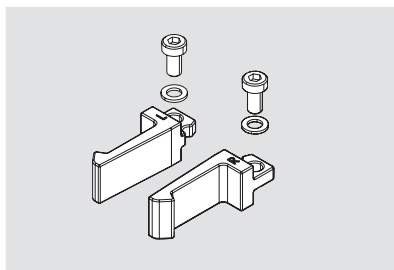


Comfort M 50 bumper set

Set of 2 bumpers; used in endstops for M 50 or M 50 with optional DM

Ref. No. 836.159

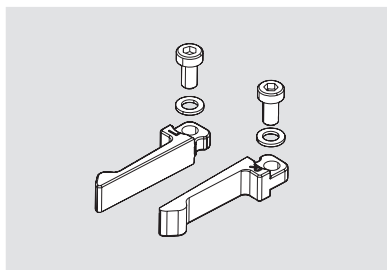
Holder hook sets



Premium XL 150 hook set

Hook set, 2 pieces, for use with XL 150; attaches to roller carrier (Not compatible with XL 150 DM or XL 80 DM)

Ref. No. 836.467



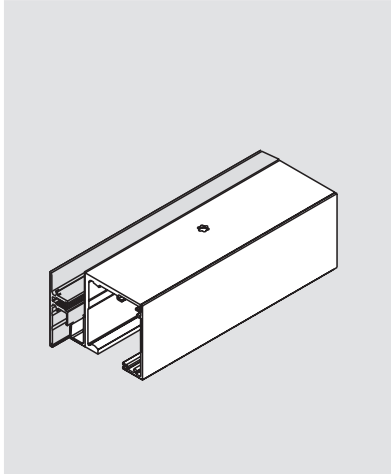
Comfort L 80 hook set

Hook set, 2 pieces, for use with L 80 (not compatible with DM)

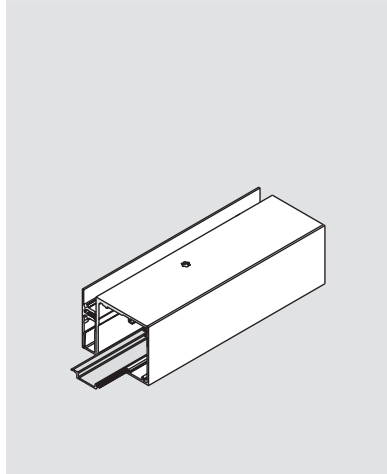
Ref. No. 836.269

Component parts

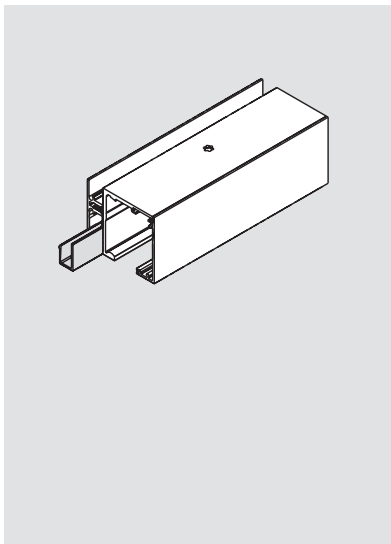
Sidelite (fixed panel) extrusions and accessories



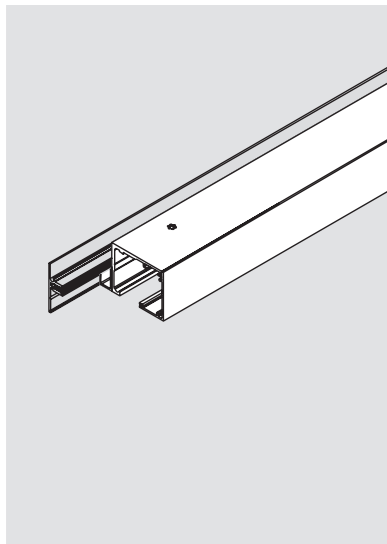
Premium XL sidelite profile
 Sidelite profile (2-3/4" [69] high) for sidelite connection at top.
 Complete with all gaskets
 For use with XL 150 DM, XL 150, XL 120 SC, XL 80 DM
 Fixed length 157-1/2" (4000)
Ref. No. 936.469
 Specify length (by ft.)
Ref. No. 836.474



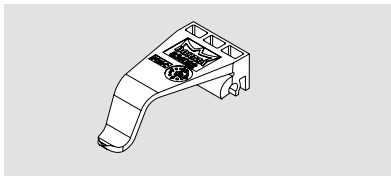
Comfort sidelite view protection profile
 Use sidelite profile with XL or L systems
 2-5/16" + 2-3/4" (58 + 69) high
 Fixed length 157-1/2" (4000)
Ref. No. 936.800
 Specify length (by ft.)
Ref. No. 836.801



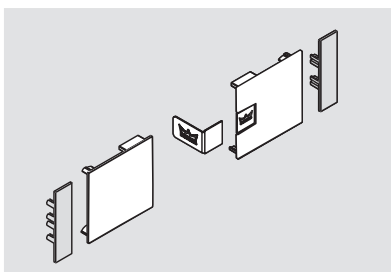
Comfort sidelite filling profile
 For use with XL or L sidelite profile
 2-5/16" + 2-3/4" (58 + 69) high
 Fixed length 157-1/2" (4000)
Ref. No. 936.802
 Specify length (by ft.)
Ref. No. 836.803



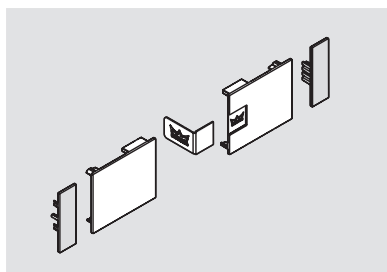
Comfort L 80 sidelite profile
 Sidelite profile for sidelite connection at top for use with L 80 DM and L 80, 2-5/16" (58) high, complete with all gaskets; for 5/16" – 9/16" (8 – 13.5) thick glass.
 Fixed length 157-1/2" (4000)
Ref. No. 936.272
 Specify length (by ft.)
Ref. No. 836.274



View profile clip
 For use with view profile extrusion for Sidelite application
Ref. No. 836.891



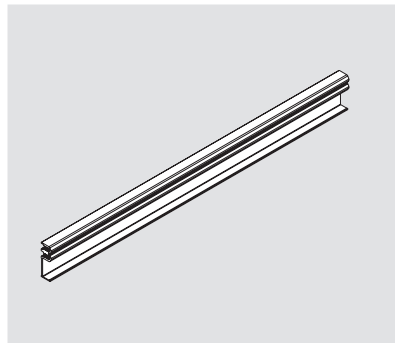
Premium XL sidelite endcaps
 Set endcaps for sidelite profile for use with all XL systems
 2-3/4" (69) high
Ref. No. 836.471



Comfort L 80 sidelite endcaps
 Set endcaps for sidelite profile
 2-5/16" (58) high
Ref. No. 836.273

Component parts

Sidelite (fixed panel) extrusions and accessories



Comfort 150/120/80 drop ceiling connector profile

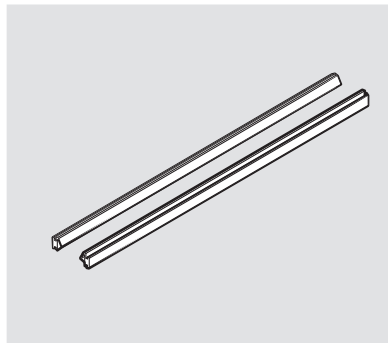
Incl. extrusion and fasteners

Fixed length
157-1/2" (4000)

Ref. No. 836.821

Specify length (by ft.)

Ref. No. 836.820



U-Channel gaskets

Gasket for 1/2" (12-13.5) thick glass

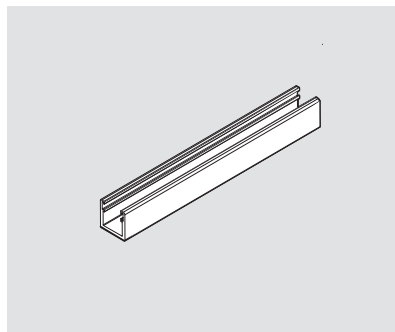
Specify length (by ft.)

Ref. No. 925.147

Gasket for 3/8" (10) thick glass

Specify length (by ft.)

Ref. No. 925.148



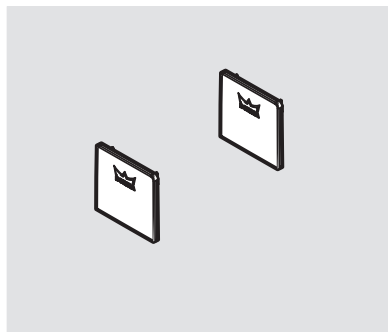
Dri-Fit® pre-drilled U-Channel

Connecting profile for fixed panel (sidelite) fixing

Profile for 3/8" - 1/2" (10 - 13) thick glass

Specify length (by ft.)

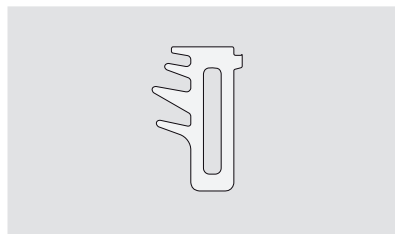
Ref. No. 925.447



U-Channel endcaps

Set endcaps for Ref. No. 925.447

Ref. No. 925.121



Sidelite profile gasket

5/16" - 3/8" (8-10) thick glass; black

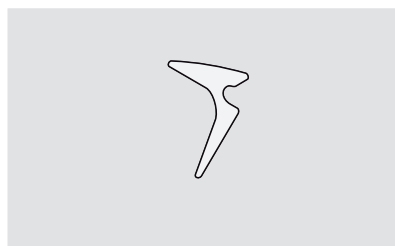
Ref. No. 836.195



Sidelite profile gasket

3/8" - 1/2" (10-13) thick glass; black

Ref. No. 836.196



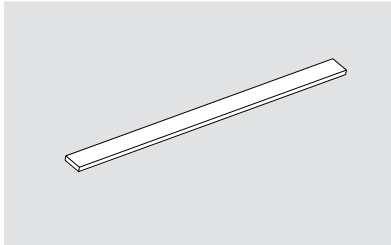
Sidelite profile gasket

1/2" - 17/32" (13-13.5) thick glass; black

Ref. No. 836.197

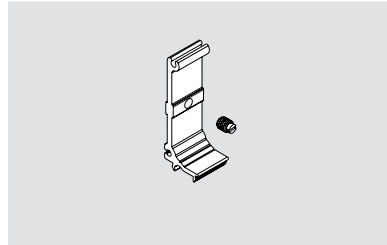
Component parts

Recessed mount (CE-R) accessories



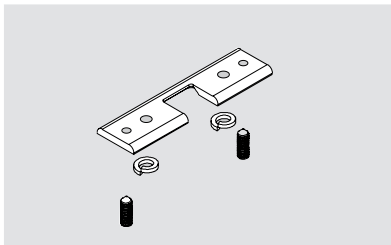
Foam, adhesive back
 3/16" (5) vinyl
 Supplied optional for
 CE-R units, 50 ft. Roll
 Grey

Ref. No. 933.915



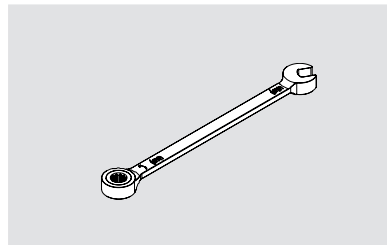
**XL Premium recessed
 cover clip**

Ref. No. 936.145



**XL Premium recessed
 Start/Stop service plate**

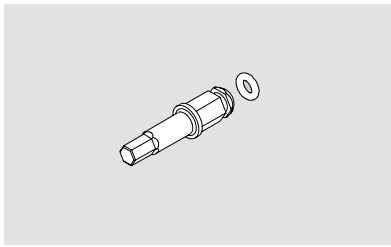
Ref. No. 936.561



**Wrench, 6MM
 ratcheting / combo**

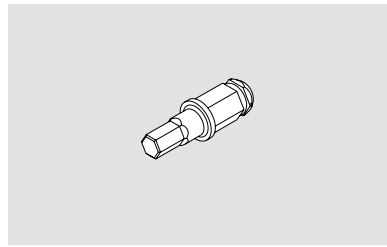
Use with
 Ref. No. 936.898 and
 Ref. No. 936.899
 hex bit in CE-R units

Ref. No. 936.897



M4 Long Hex Bit
 Recessed mount service
 item

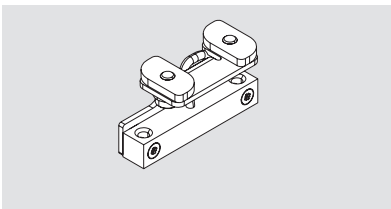
Ref. No. 936.898



M4 Short Hex Bit
 Recessed mount
 service item

Ref. No. 936.899

Status indicator



MUTO status indicator
 Status indicator set,
 complete with
 accessories (sensor,
 cable, etc.)

Ref. No. 836.840

Component parts

Tempered Laminated Glass (TLG) accessories



TLG applicator (LGAA)

3M™ Scotch-Weld™
EPX™ plus II applicator
with 2:1 and 1:1 plunger

Ref. No. 934.801



TLG mixing nozzle (MTIPS)

3M™ Scotch-Weld™
Urethane Adhesive, DP
605 NS, off white,
1 tube per 4 roller
carriers

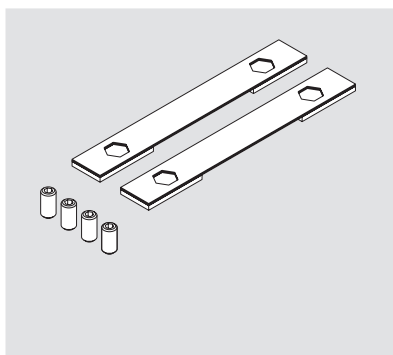
Ref. No. 934.805



TLG adhesive (LGA)

3M™ Scotch-Weld™
EPX™ plus II mixing
square nozzle, 5.3 mm
(4 tips per set)

Ref. No. 934.800

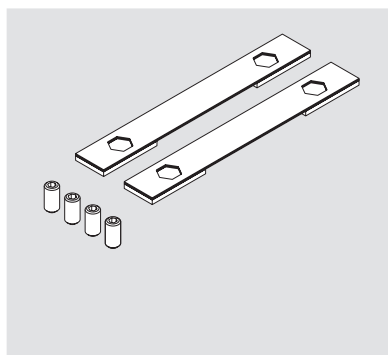


Premium XL 150 Tempered Laminated Glass (TLG) roller gasket

Accessory set for use
with TLG for one pair of
clamp carriers

Requires optional
adhesive components

Ref. No. 836.468



Comfort L 80 Tempered Laminated Glass (TLG) roller gasket

Accessory set for use
with TLG for one pair of
clamp carriers

Requires optional
adhesive components

Ref. No. 836.270

Installation accessories



MUTO carrier locating tool

Accessory tool for
quickly and easily
locating roller carrier on
top of moving panel

Ref. No. 936.999



MUTO tool kit

Accessory tool kit,
incl. typical tools used
for installation and
adjustment of MUTO
Comfort systems

Ref. No. 936.996



www.dormakaba.us

dormakaba USA Inc.
Dorma Drive, Drawer AC
Reamstown, PA 17567
800.523.8483

dormakaba Canada Inc.
1680 Courtney Park Drive
Unit 13
Mississauga, ON L5T 1R4
800.387.4938